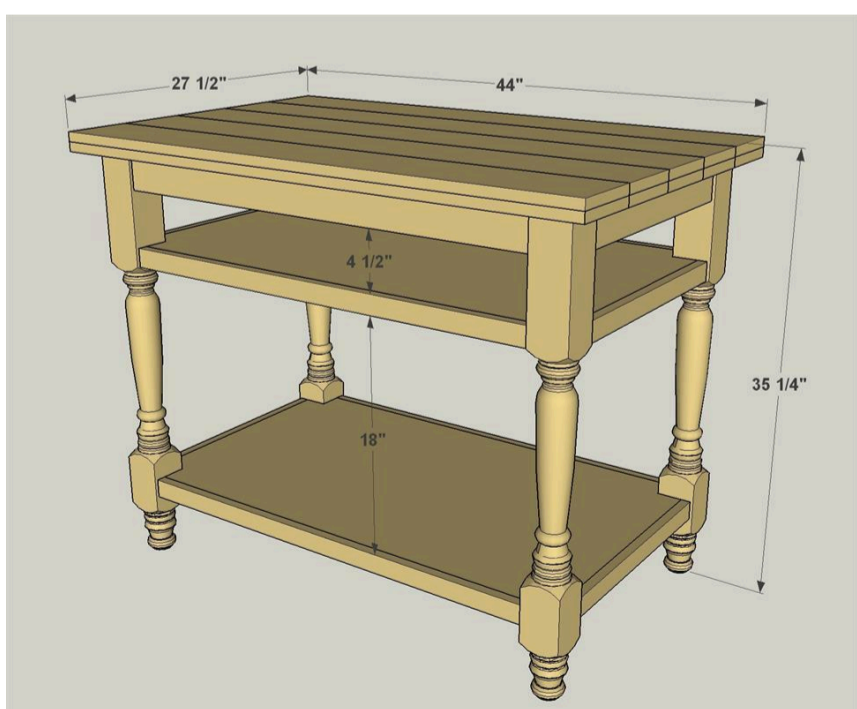
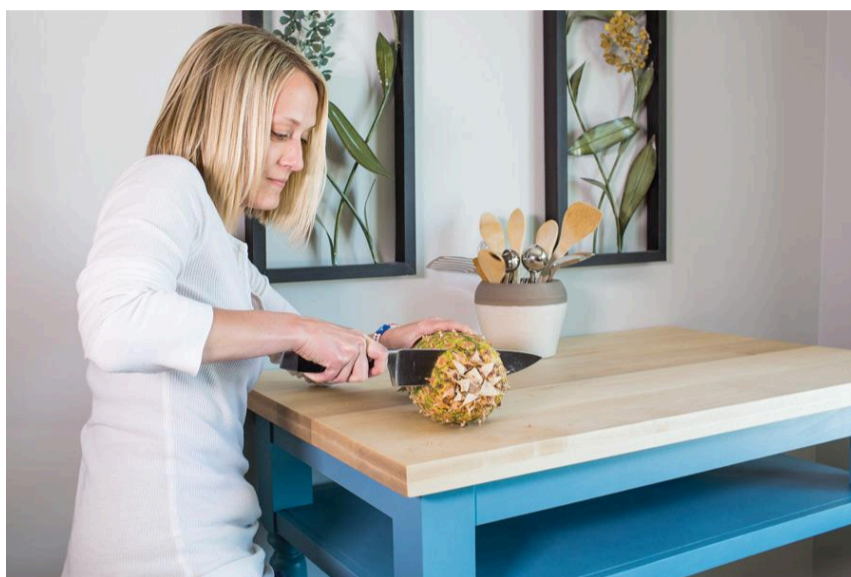


# Classic Kitchen Island

By **Kreg Tool**

Difficulty  
Moderate

Every kitchen can use more work space and storage. This island offers both in a great-looking package. The island is easy to build thanks to purchased legs and a clever way to create the extra-thick top from ordinary boards. Because it's freestanding, you can incorporate it into almost any kitchen.



# Tools

## Kreg Tools



Portable Crosscut



Wood Project Clamp - 6"



Kreg® Pocket-Hole Jig 720

## Other Tools

Circular Saw (cordless)

Jigsaw

Miter Saw

Tape Measure

Right-Angle Drill Attachment

Sander

# Materials

## Wood Products

**2** Board , 1x6 , 96"

**1** Board , 1x6 , 48"

**1** Board , 1x4 , 96"

**1** Board , 1x4 , 48"

**3** Board , 1x2 , 96"

**1** Board , 1x2 , 48"

**1** Plywood , 3/4" Thick , Half Sheet

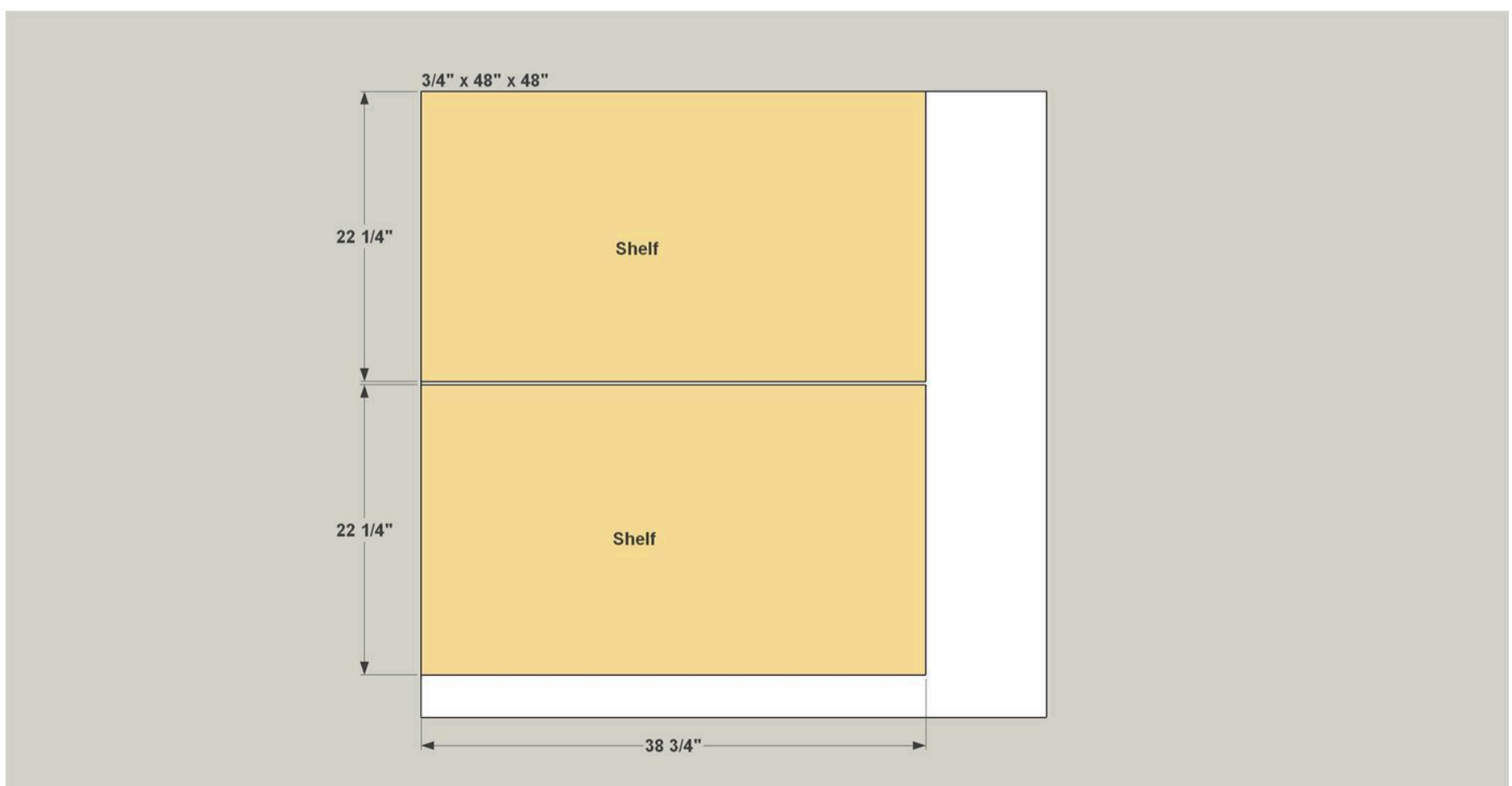
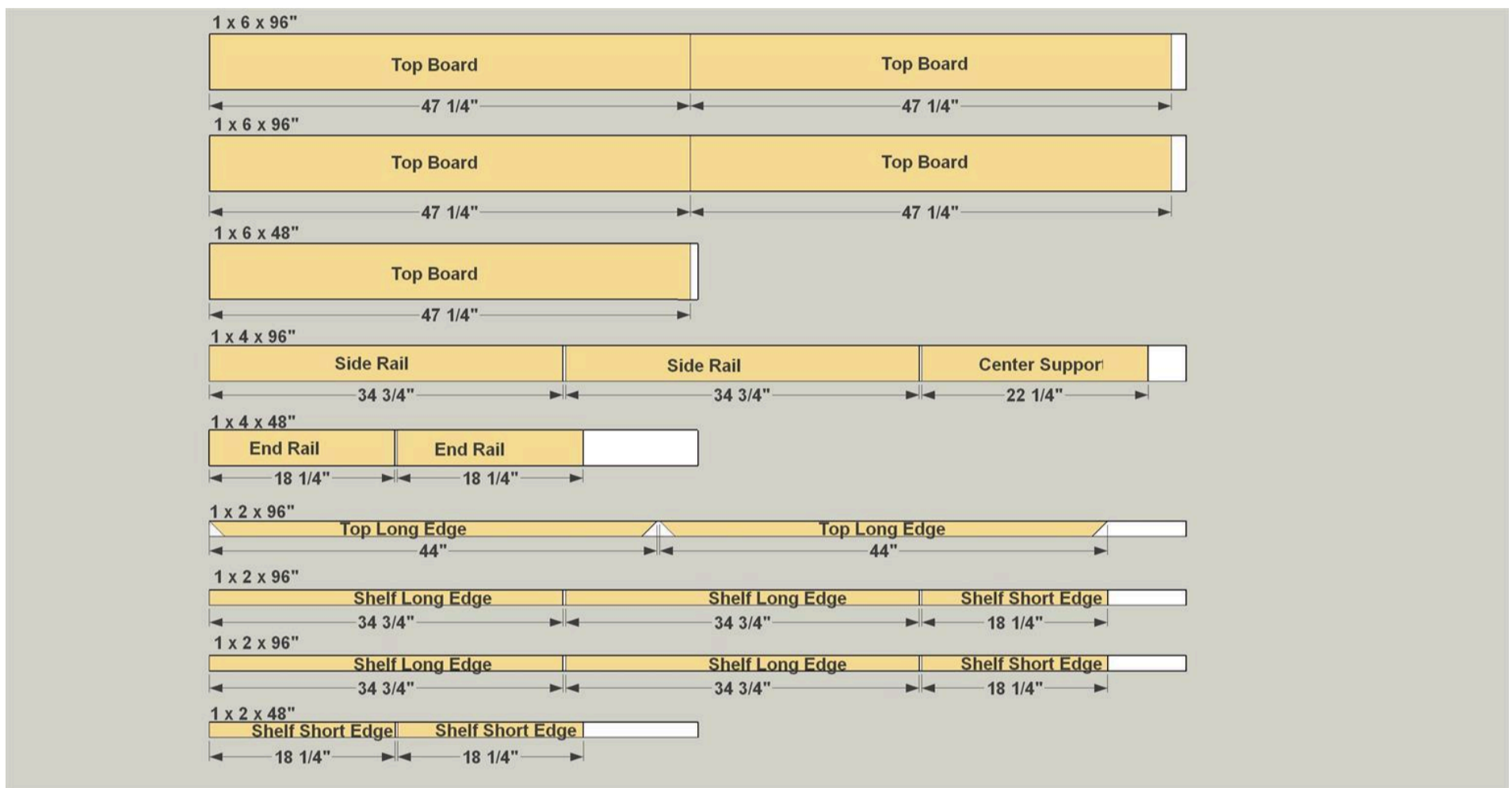
## Hardware & Supplies

**4** Narrow Concord Island Post

**129** 1 1/4" Fine-thread Pocket Hole Screws

# Cut List & Parts

- 4 Leg , 3" X 3" X 34 1/2"
- 2 End Rail , 3/4" X 3 1/2" X 18 1/4"
- 2 Side Rail , 3/4" X 3 1/2" X 34 3/4"
- 1 Center Support , 3/4" X 3 1/2" X 22 1/4"
- 2 Shelf , 3/4" Plywood X 22 1/4" X 38 3/4"
- 4 Shelf Long Edge , 3/4" X 1 1/2" X 34 3/4"
- 4 Shelf Short Edge , 3/4" X 1 1/2" X 14 1/4"
- 5 Top Board , 3/4" X 5 1/2" X 47 1/4" \*Rough Length\*
- 2 Top Long Edge , 3/4" X 1 1/2" X 44"



# Directions

1

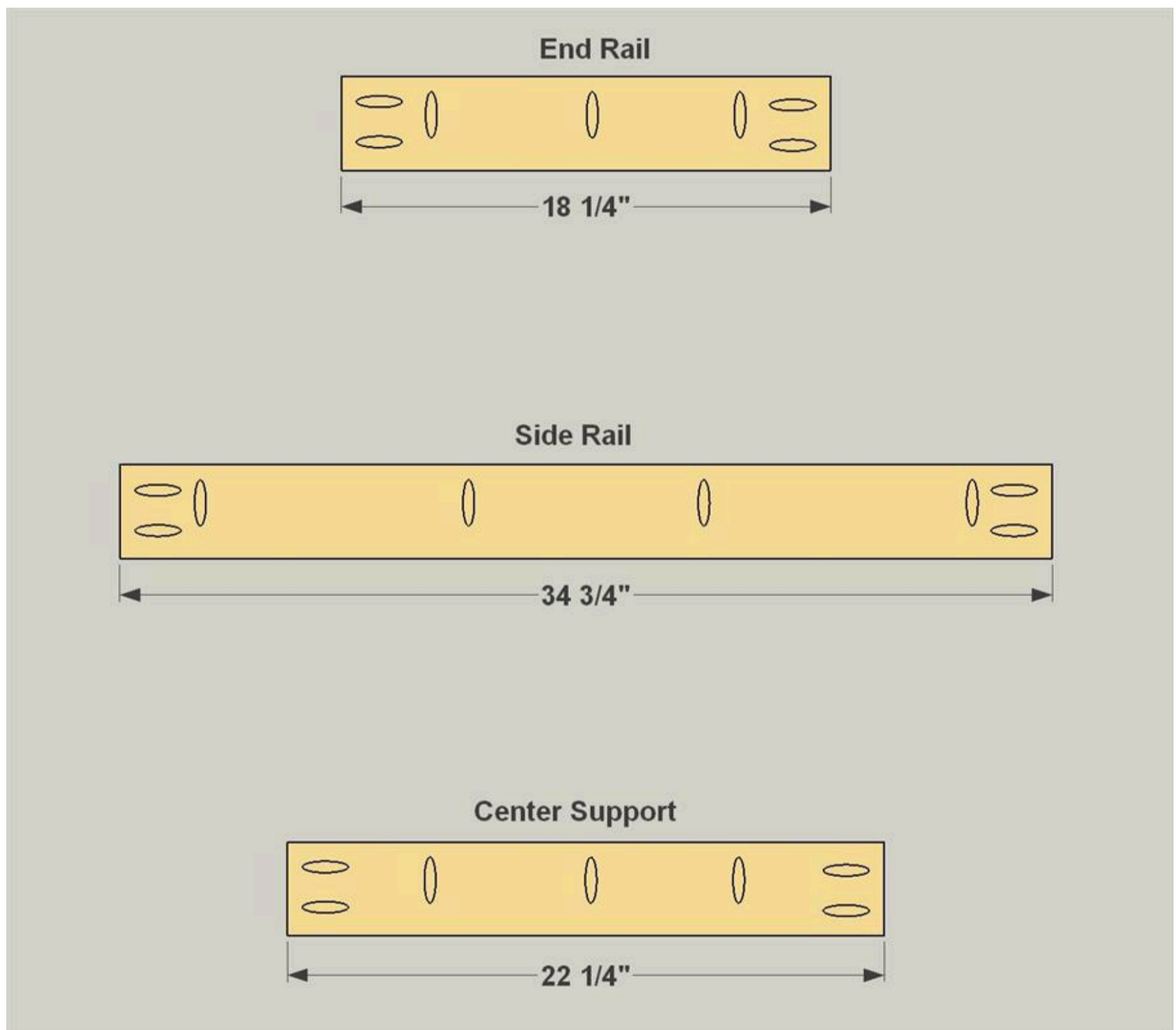
## Start by Ordering Legs

Because this project uses purchased Legs, your first step should be ordering those. That way, you'll know that they're available before you start making the other parts.

2

## Make the Rails and Center Support

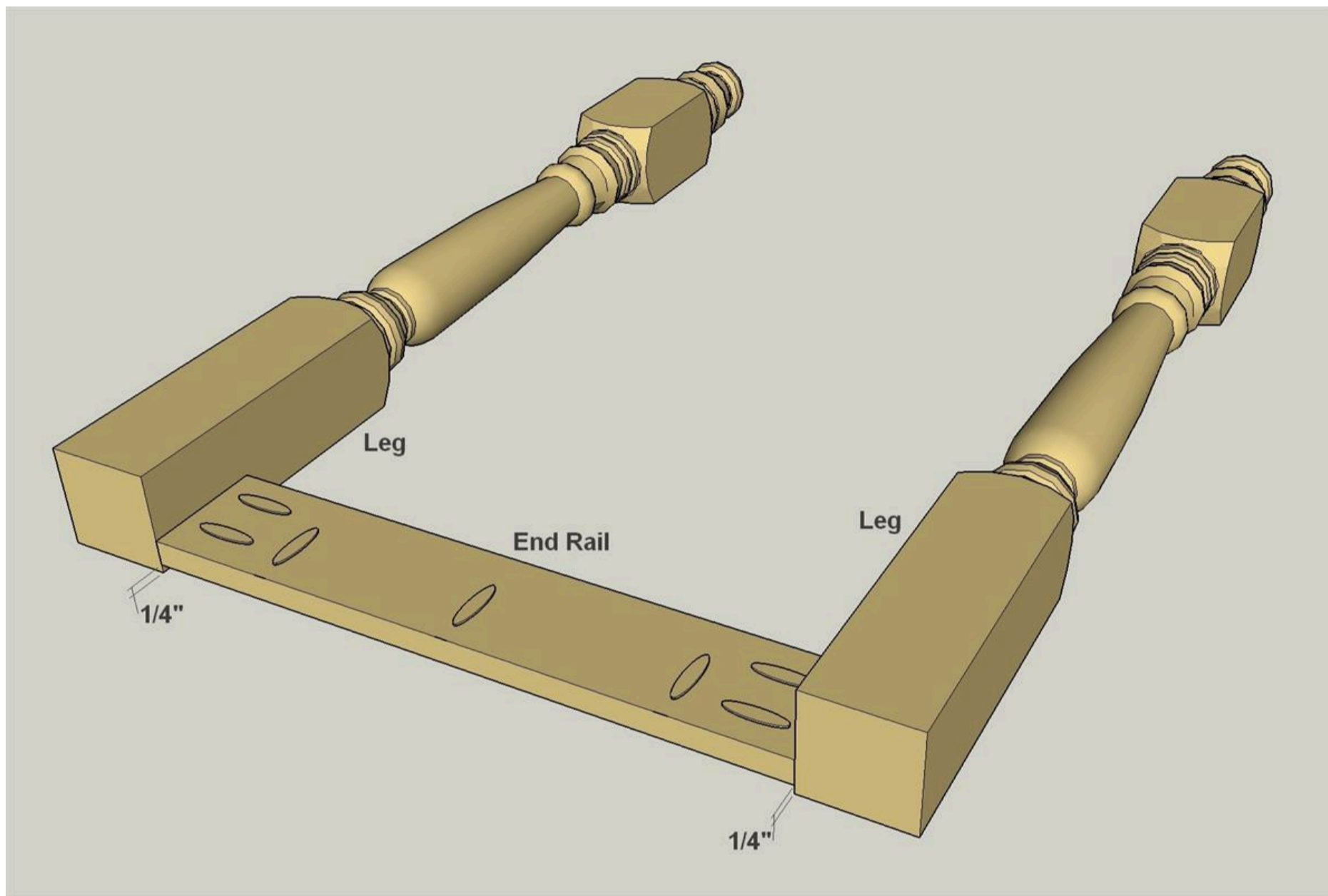
Cut two End Rails, two Side Rails, and one Center Support to length from 1x4 boards (we used poplar), as shown in the cutting diagram. Then, with your pocket hole jig set up for 3/4" material, drill pocket holes in the Rails and the Support, as shown.





**3****Attach the End Rails**

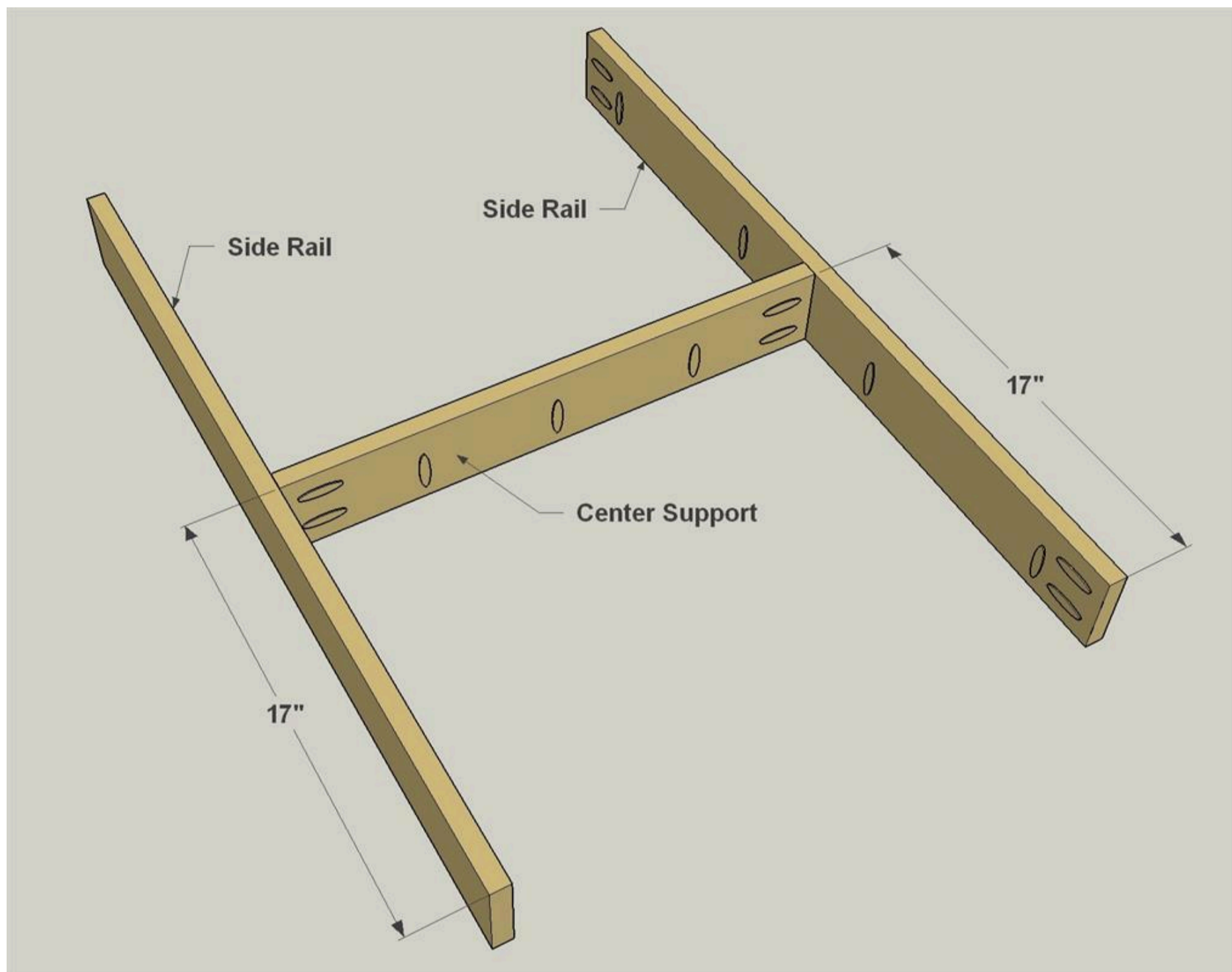
Now you can attach the End Rails to the Legs using 1 1/4" fine-thread pocket hole screws, as shown. Note that the End Rails are inset 1/4" from the outer face of the Legs. Make sure that the pocket holes are oriented correctly for attaching the island top later.



4

### Assemble the Side Rails and Support

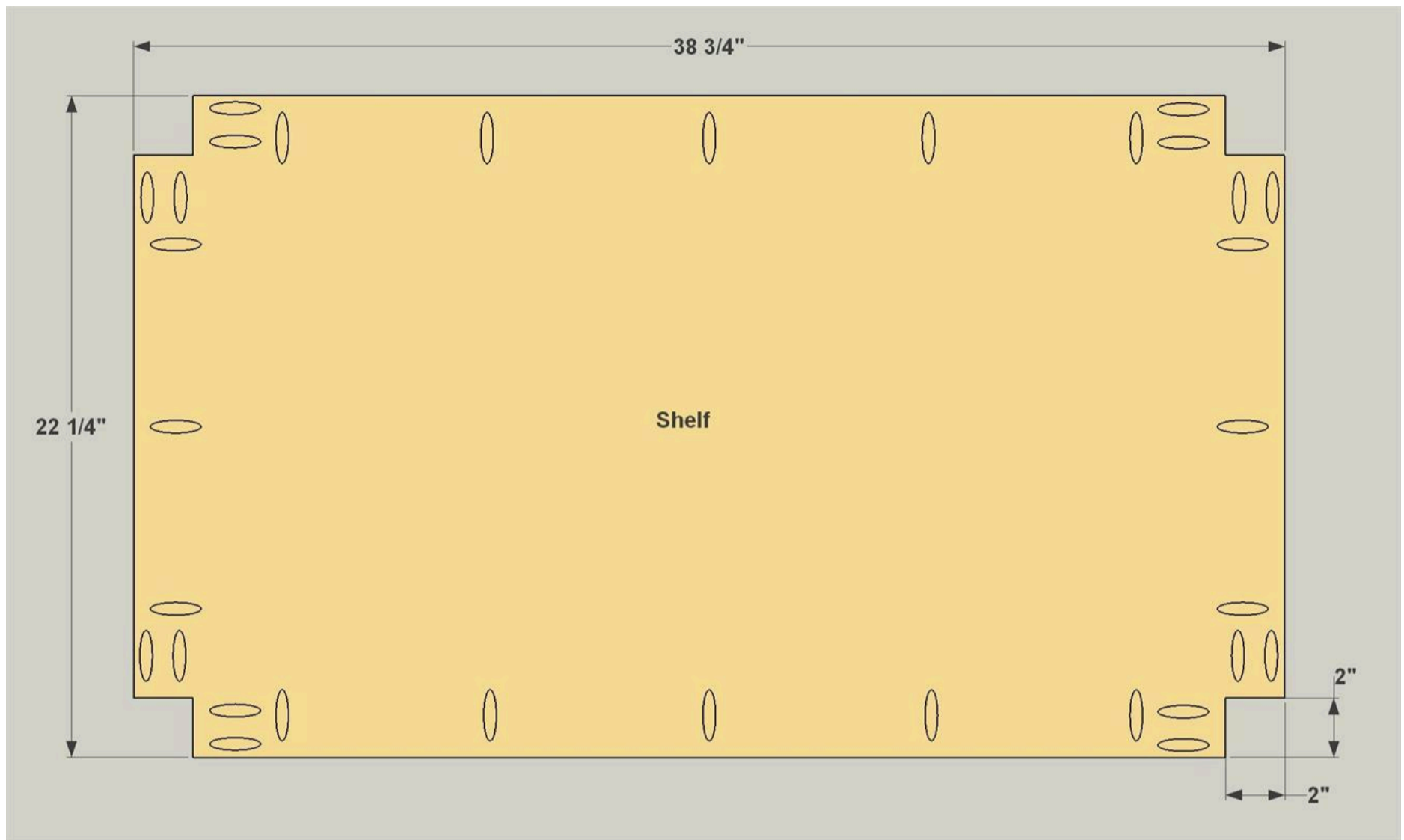
Attach the Center Support to the Side Rails using 1 1/4" fine-thread pocket hole screws, as shown. Make sure that the pocket holes along the edges are all oriented in the same direction.



## 5

### Create the Shelf Panels

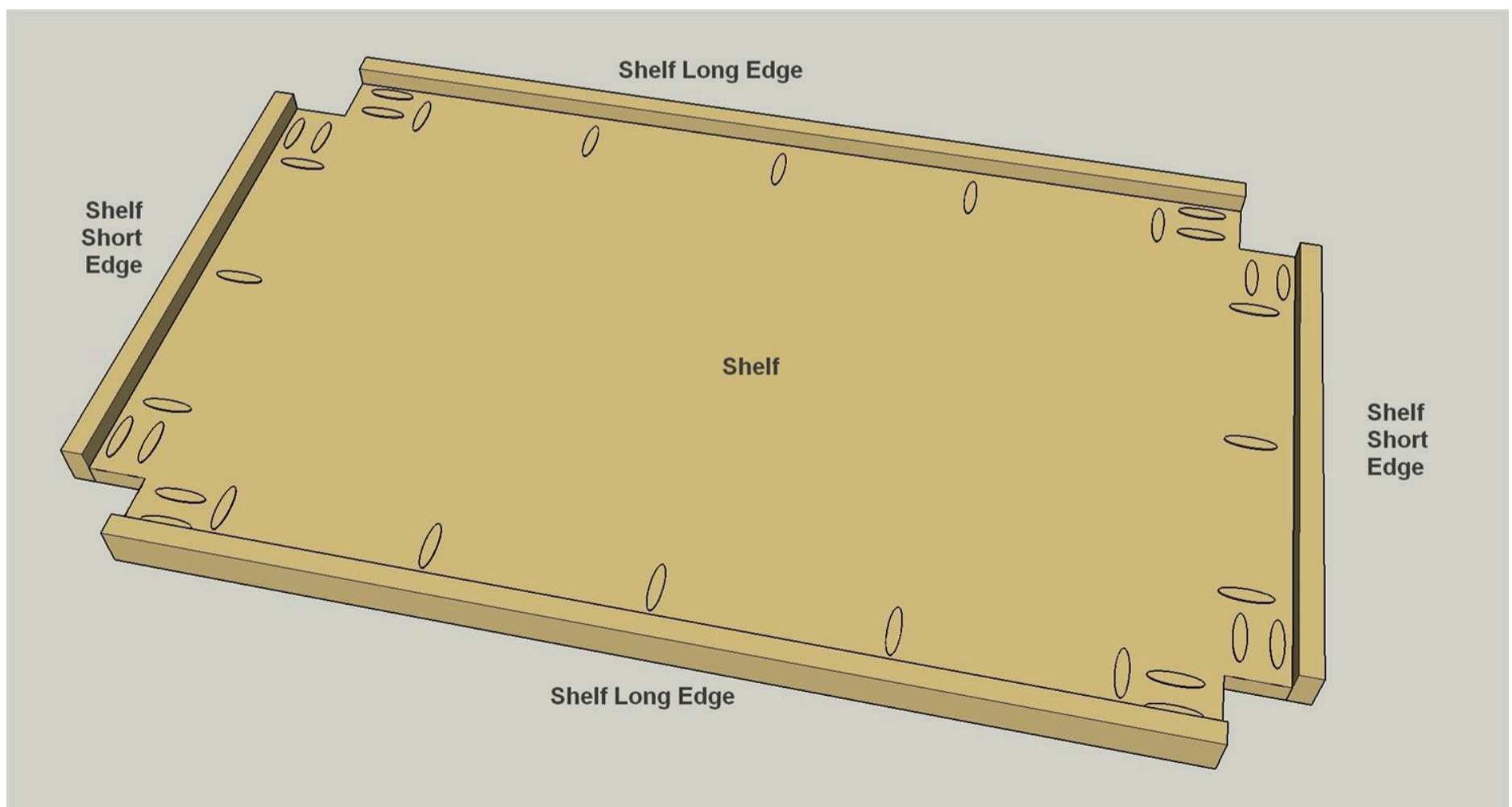
Cut two Shelves to size from 3/4" plywood, as shown in the cutting diagram. Cut the notches at each corner using a jig saw. Then, with your pocket hole jig set up for 3/4" material, drill pocket holes in the Shelves, as shown.



## 6

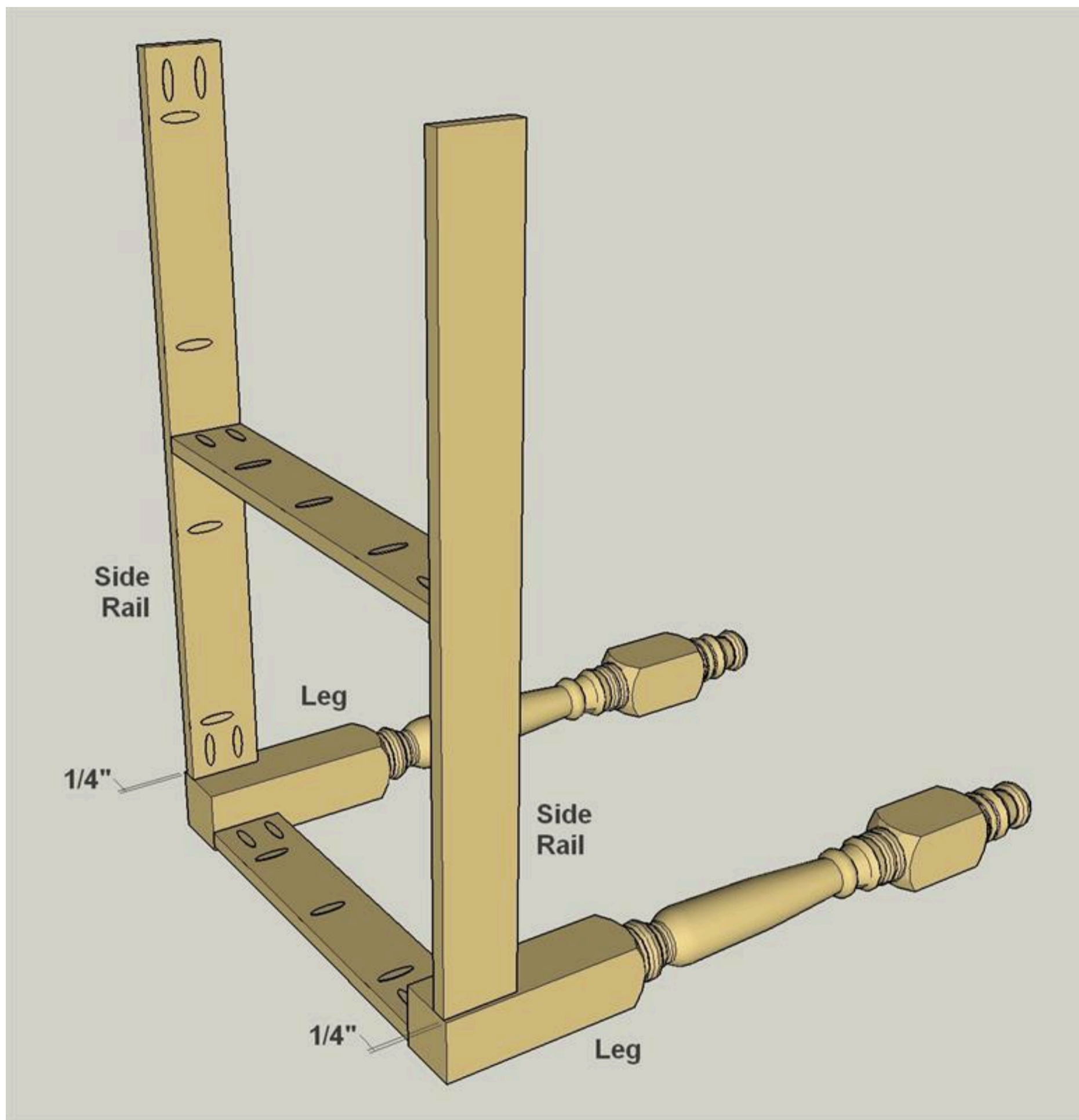
### Add Shelf Edging

Cut two Shelf Long Edges and two Shelf Short Edges to length from 1x2 boards, as shown in the cutting diagram. Then attach the Edges to each Shelf using 1 1/4" fine-thread pocket hole screws, as shown.



**7****Attach the Side Rails**

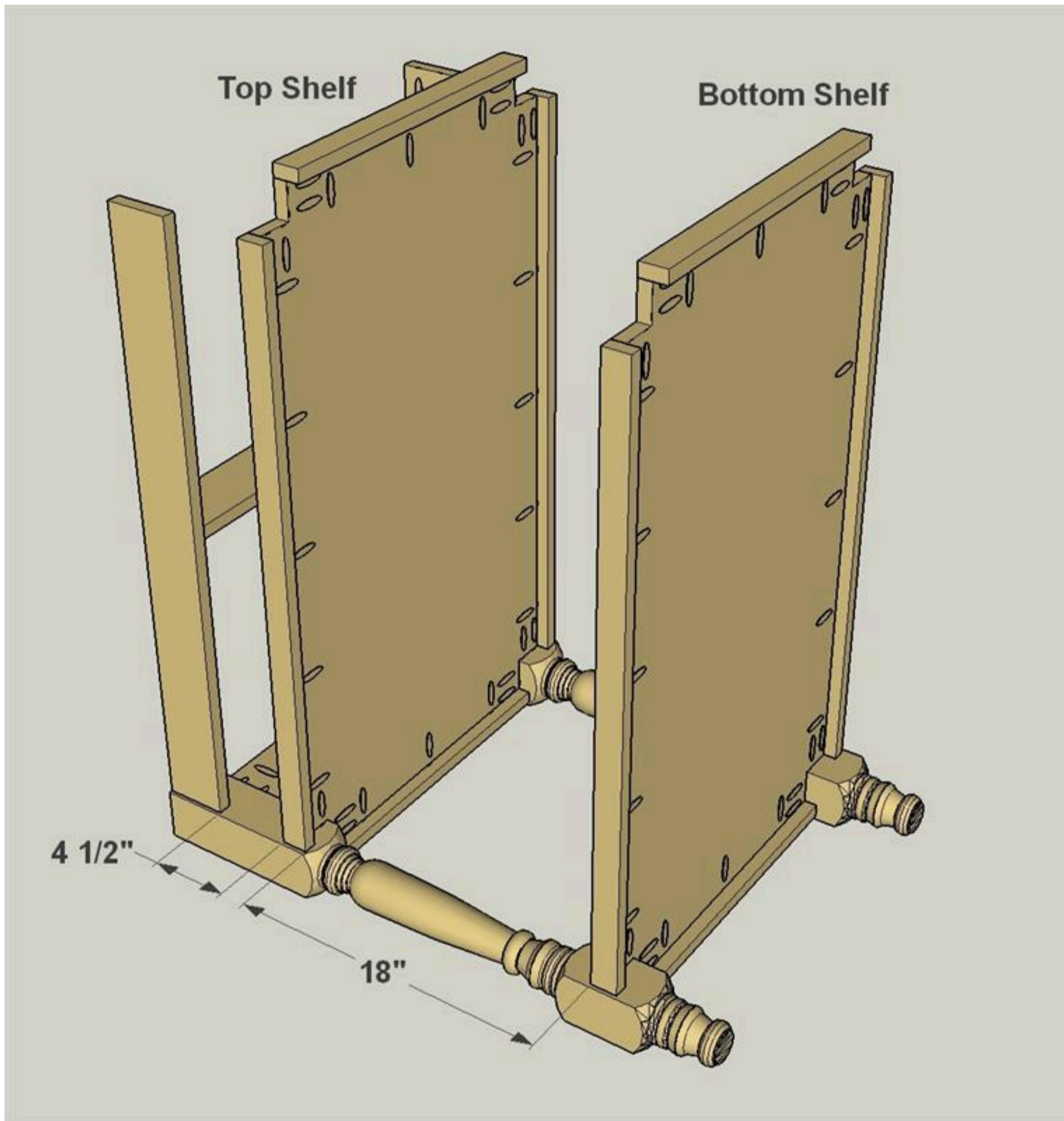
Now you can start assembling the island base. First, attach the Rail/Support assembly to one set of Legs using 1 1/4" fine-thread pocket hole screws, as shown. Note that the Side Rails are inset 1/4" from the outer face of the Legs. Make sure that the pocket holes are oriented correctly for attaching the island top later.





**8****Secure the Shelves**

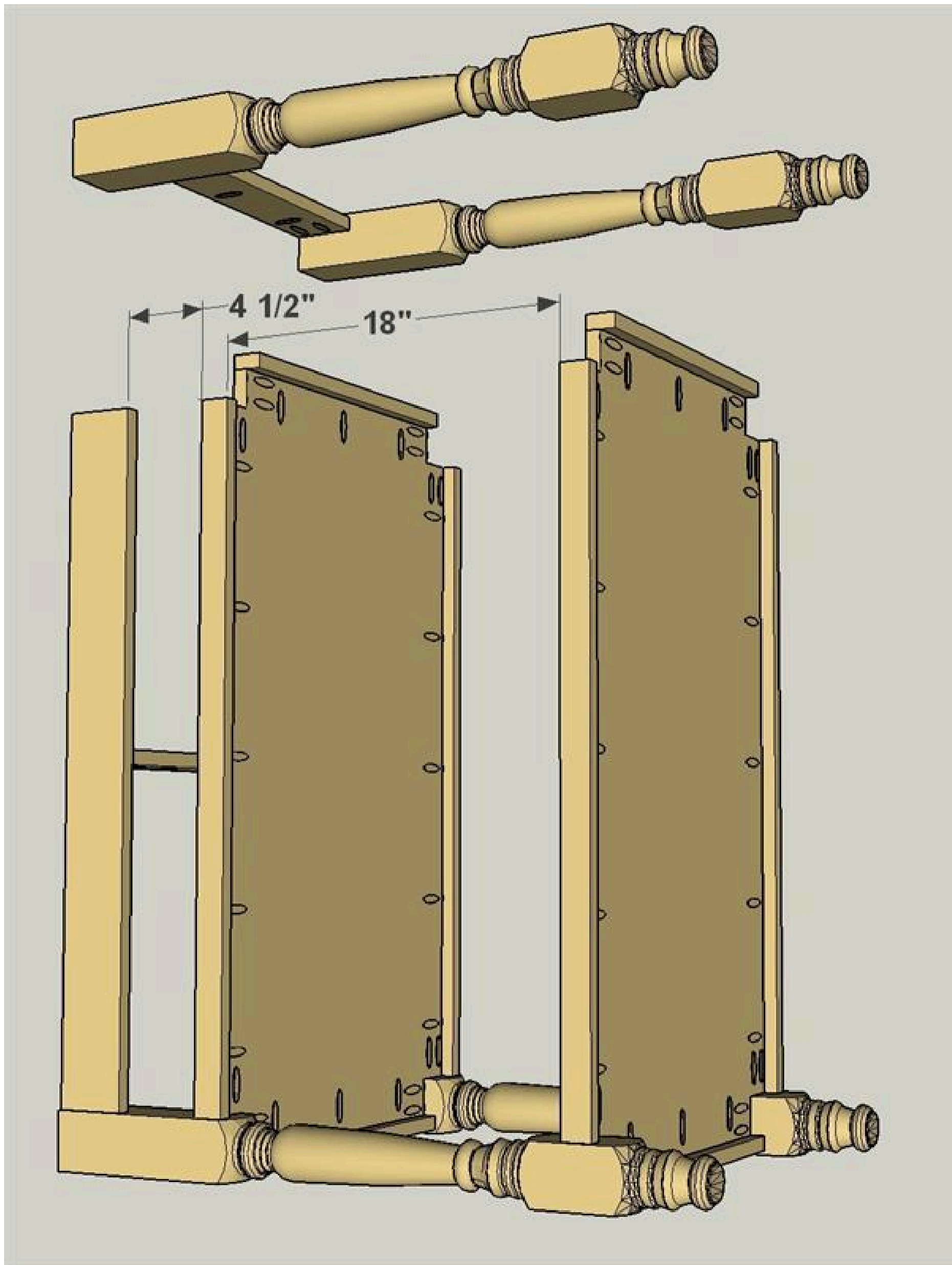
Next, attach the Shelf assemblies to the same Legs using 1 1/4" fine-thread pocket hole screws, as shown. Make sure you have the Shelves spaced properly before you drive in the screws.



9

**Add the Other Legs**

Now you can attach the second set of Legs using 1 1/4" fine-thread pocket hole screws, as shown. Once again, check the Shelf spacing before you drive in the screws to ensure that the Shelves will sit level.

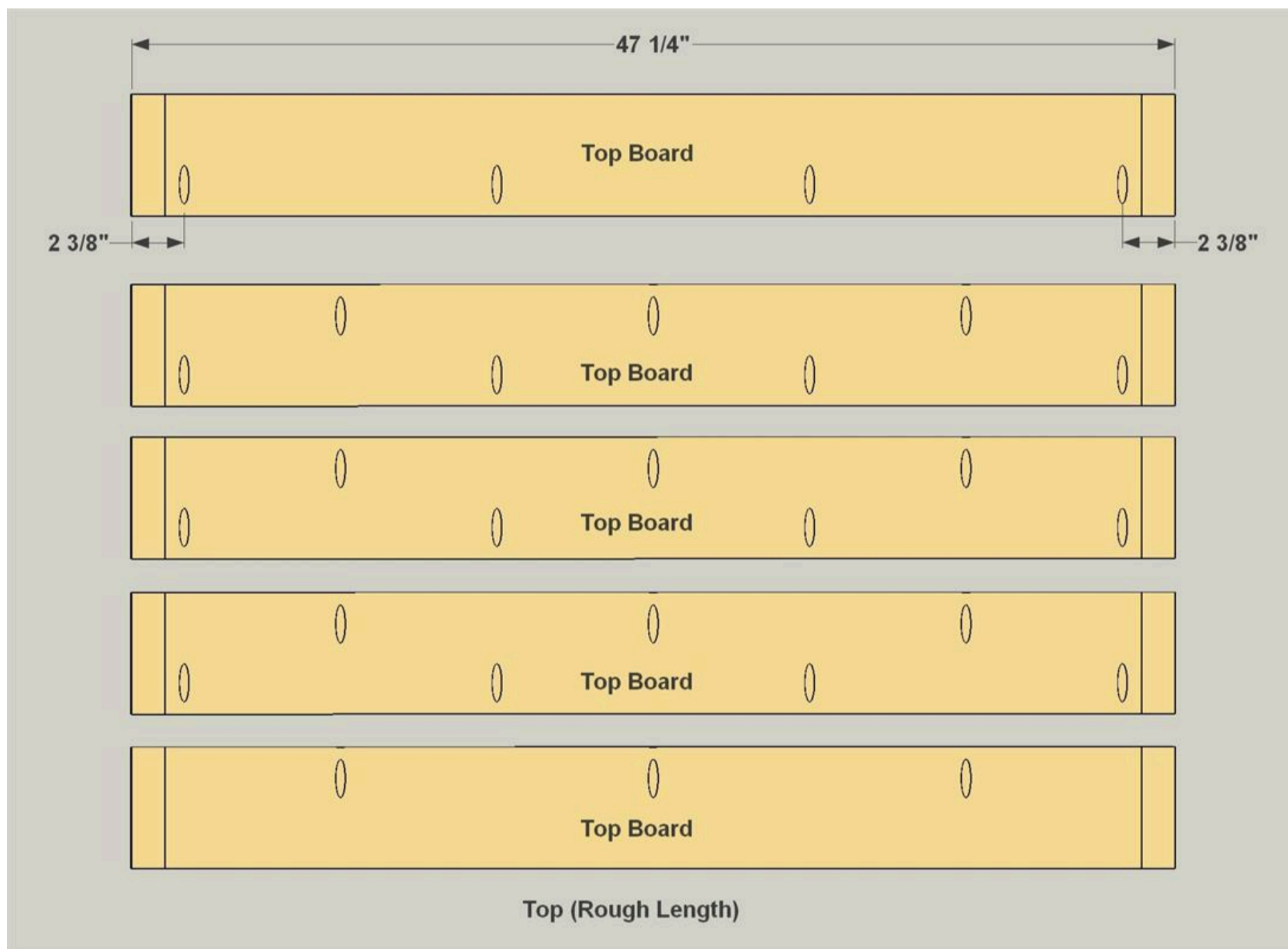


**10****Understand the Top Assembly**

Now you can begin creating the island top. Though it looks like it's made from thick boards, it's actually all made from ordinary 1x6 boards (we used soft maple). You'll start by making an extra-long panel, then cutting off the ends. Then you'll attach these cutoffs underneath and add long edge boards to create this unique look.

**11****Cut the Top Boards**

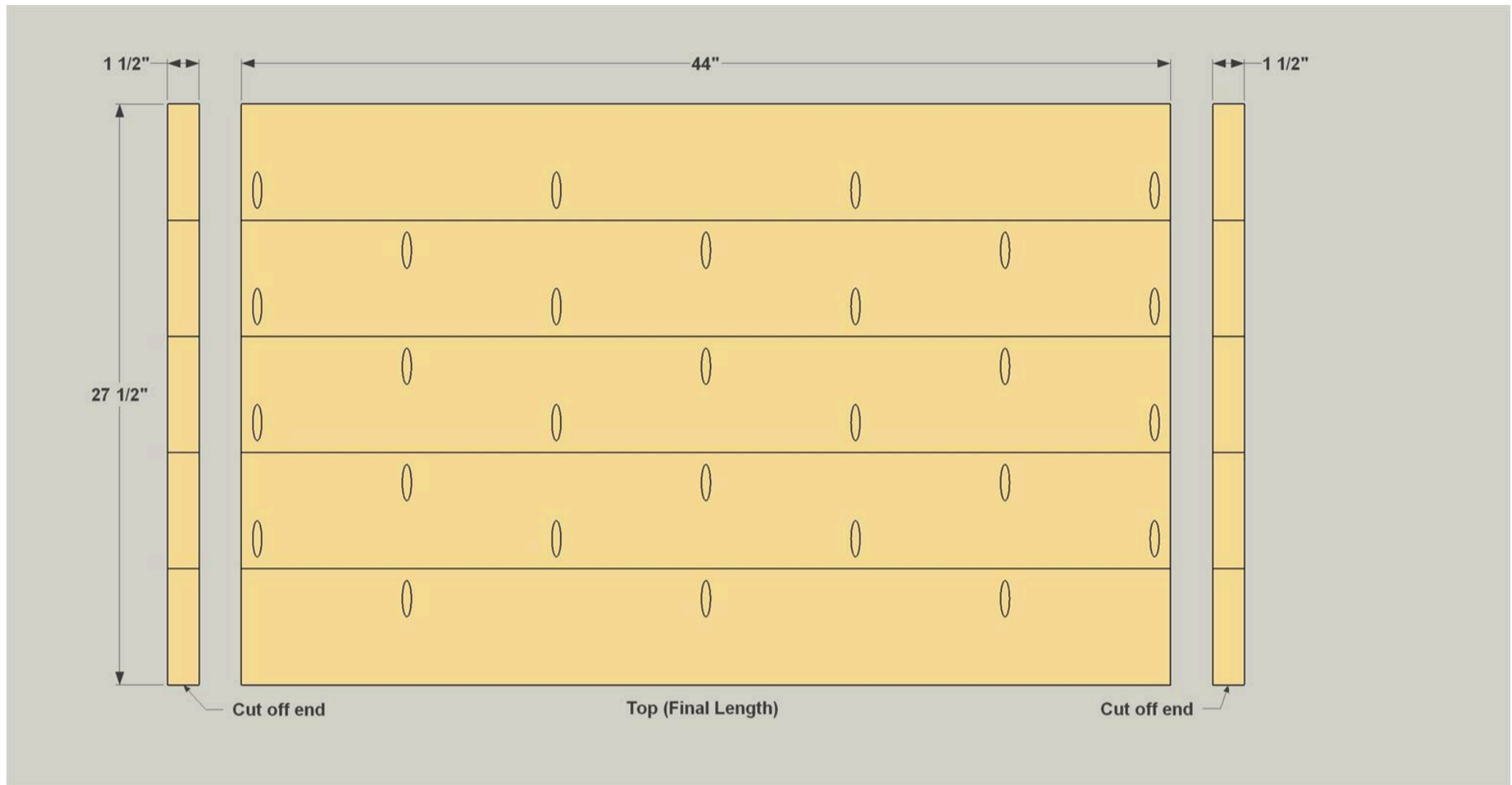
Cut five Top Boards to length from 1x6 boards, as shown in the cutting diagram. Note that you're cutting these longer than the final length of the island top. Then, with your pocket hole jig set up for 3/4" material, drill pocket holes in the Top Boards, as shown. The holes nearest the ends of each board need to be positioned away from the ends, as shown.



## 12

### Assemble and Cut the Top

Next, add the Top Boards using wood glue and 1 1/4" coarse-thread pocket hole screws. Make sure you have glue spread along the board edges all the way to the ends. After the glue sets, cut 1 1/2" off each end of the Top assembly, as shown. A circular saw with an edge guide works great for doing this.



## 13

### Edge the Top

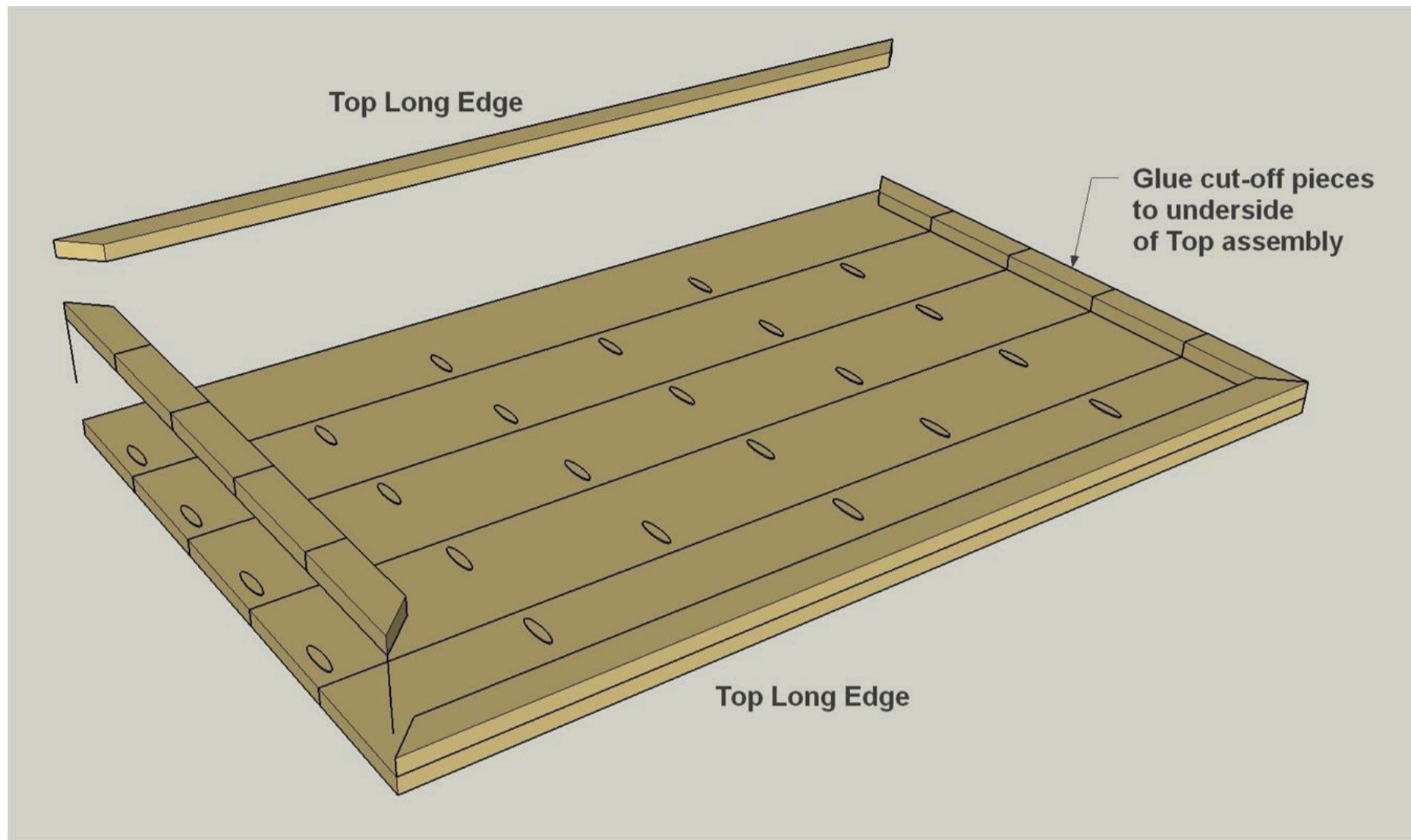
Now you can add the pieces underneath the Top panel to create the thick look. To do this, start by cutting two Top Long Edges to length from a 1x2 board, mitering the end of each piece at 45°. Then take the trips you cut off of the top and miter the ends at 45°, as well. Make sure you align the miters with the ends of the strips so that you don't cut off any length.



14

### Glue on the Top Edges

With the pieces cut, you can glue them to the underside of the Top assembly. Use clamps or weight the pieces down while the glue sets. Once it does, scrape off any glue squeeze-out, and then sand the Top assembly smooth.



15

### Secure the Top and Add Finish

Once you have the Top assembly done, you're ready to attach it to the island base. If you plan to paint the base, though, do that before attaching the top. Be sure, also, that you use a food-safe finish on the top. Linseed oil or butcher-block finish works great.