

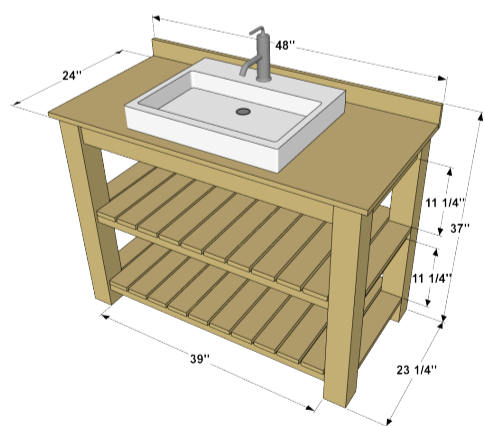
Rustic Bathroom Vanity

By **Kreg Tool**

Difficulty

Moderate

By combining simple lines and stained-pine construction with a modern-style sink, this vanity combines rustic and contemporary for a sophisticated look. That makes it perfect whether your style leans toward farmhouse or contemporary. Plus, it offers large shelves for storage, and it's easy to build.



Tools

Kreg Tools



[Kreg® Pocket-Hole Jig 720PRO](#)



[Wood Project Clamp - 6"](#)



[Multi-Mark™](#)

Other Tools

Drill

Circular Saw

Circular Saw

Jigsaw

Brad Nailer

Sander

Tape Measure

Materials

Wood Products

2 Board , 4x4 96"

7 Board , 1x4 96"

2 Board , 1x4 X 72"

2 Board , 1x2x96"

1 Board , 1x2 X 72"

1 Edge-glued Panel , 3/4" X 24" X 48"

Hardware & Supplies

84 Coarse-thread Kreg Pocket-Hole Screws

100 1 1/2" Brad Nails

4 Nail-on Furniture Glides

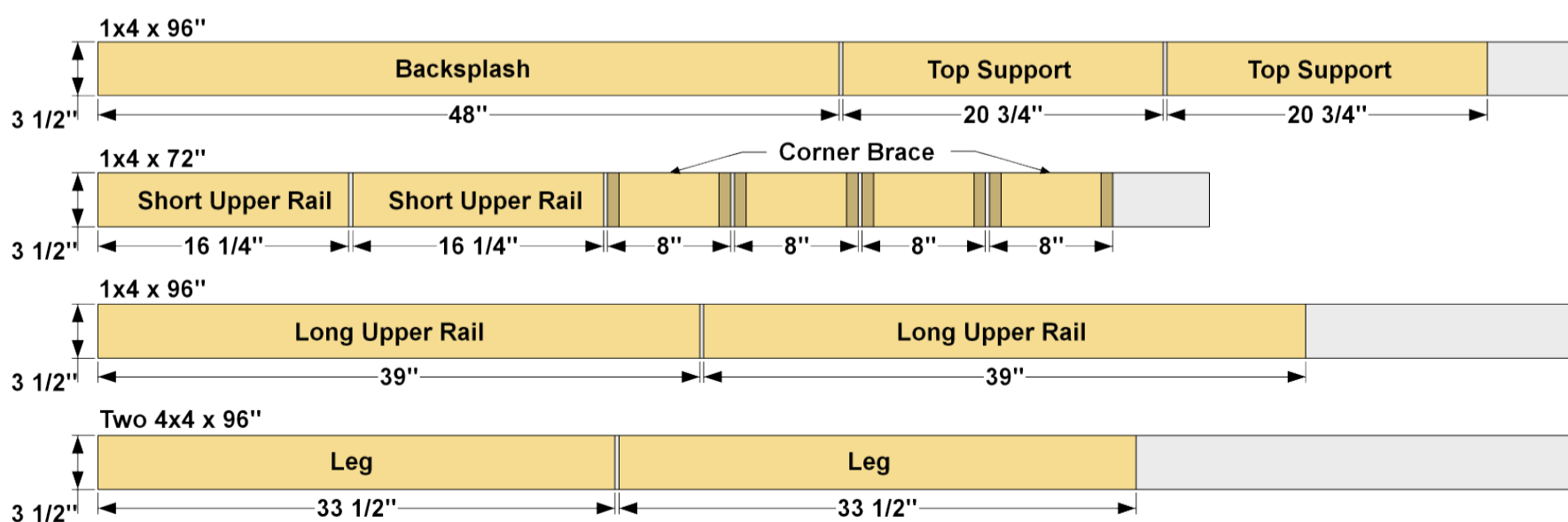
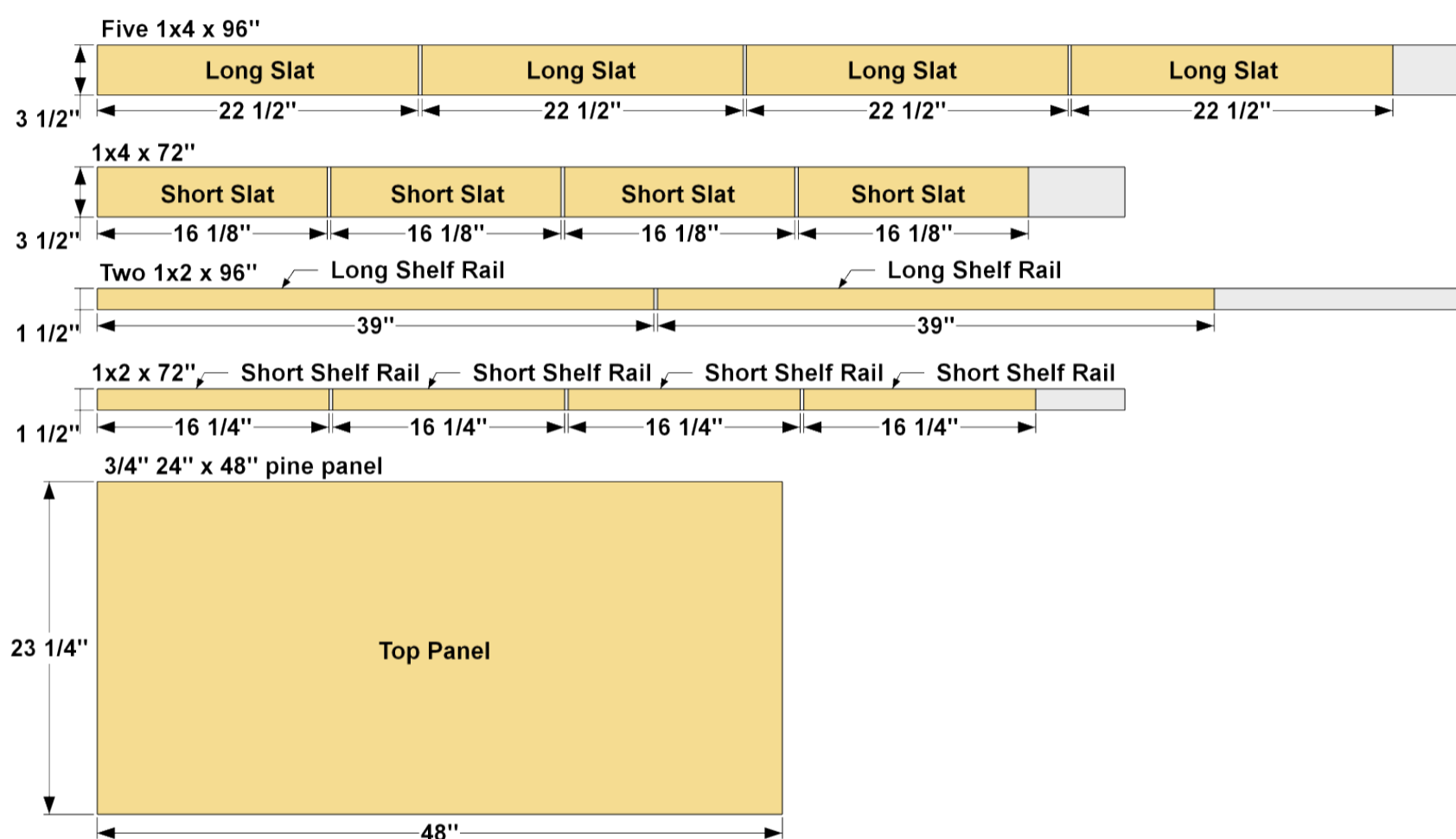
1 Bathroom Sink

1 Faucet

24 1 1/2" Flat-head Wood Screw

Cut List & Parts

- 4 Leg , 3 1/2" X 3 1/2" X 33 1/2"
- 2 Short Upper Rail , 3/4" X 3 1/2" X 16 1/4"
- 4 Short Shelf Rail , 3/4" X 1 1/2" X 16 1/4"
- 2 Long Upper Rail , 3/4" X 3 1/2" X 39"
- 4 Long Shelf Rail , 3/4" X 1 1/2" X 39"
- 4 Corner Brace , 3/4" X 3 1/2" X 8"
- 2 Top Support , 3/4" X 3 1/2" X 20 3/4"
- 4 Short Slat , 3/4" X 3 1/2" X 16 1/8"
- 20 Long Slat , 3/4" X 3 1/2" X 22 1/2"
- 1 Backsplash , 3/4" X 3 1/2" X 48"
- 1 Top Panel , 3/4" X 23 1/4" X 48"



Directions

1

Get Your Sink and Faucet

Before you begin building, get your sink and faucet. You'll want to have them so that you can create the sink and faucet cutouts in the Top Panel when the time comes. There are many styles to choose from, and this vanity will accommodate a surface-mount or vessel-style sink of many kinds.

2

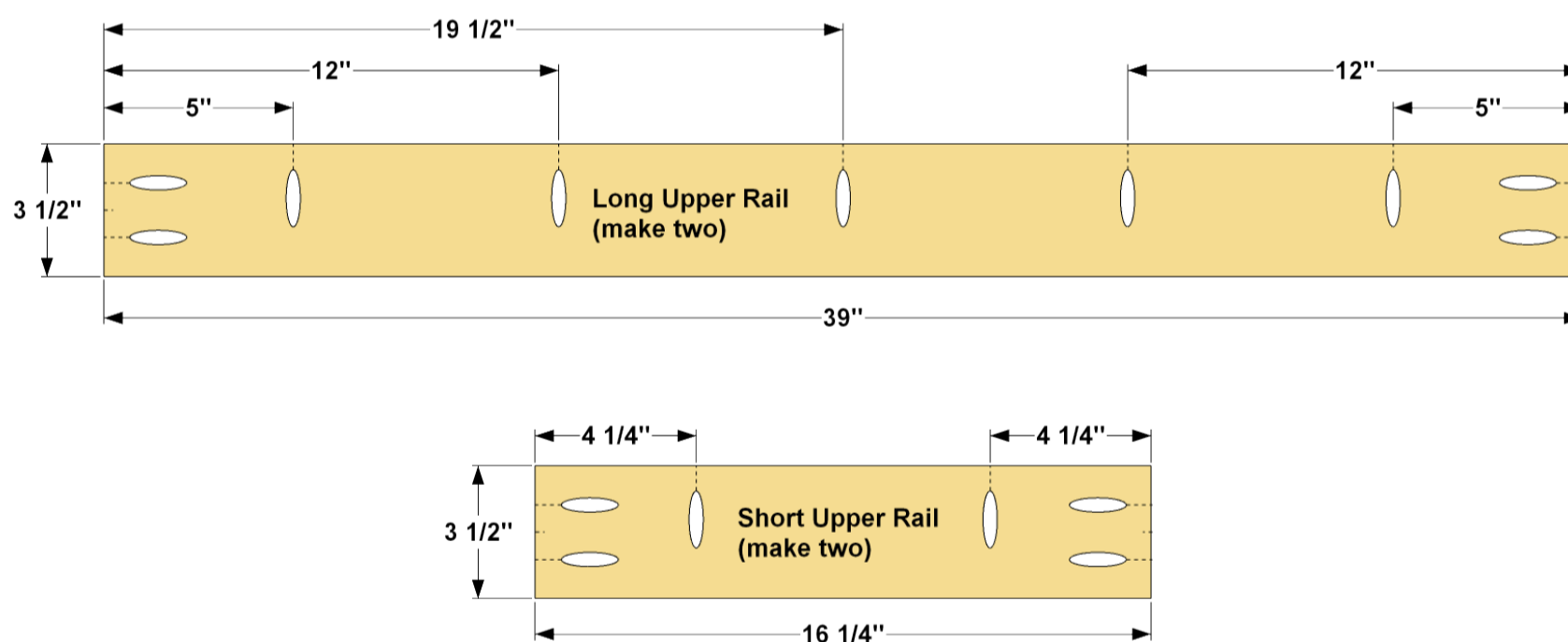
Cut Legs to Length

Cut four legs to length from 4x4 boards, as shown in the cutting diagram. Sand each Leg smooth and set them aside for now.

3

Create the Upper Rails

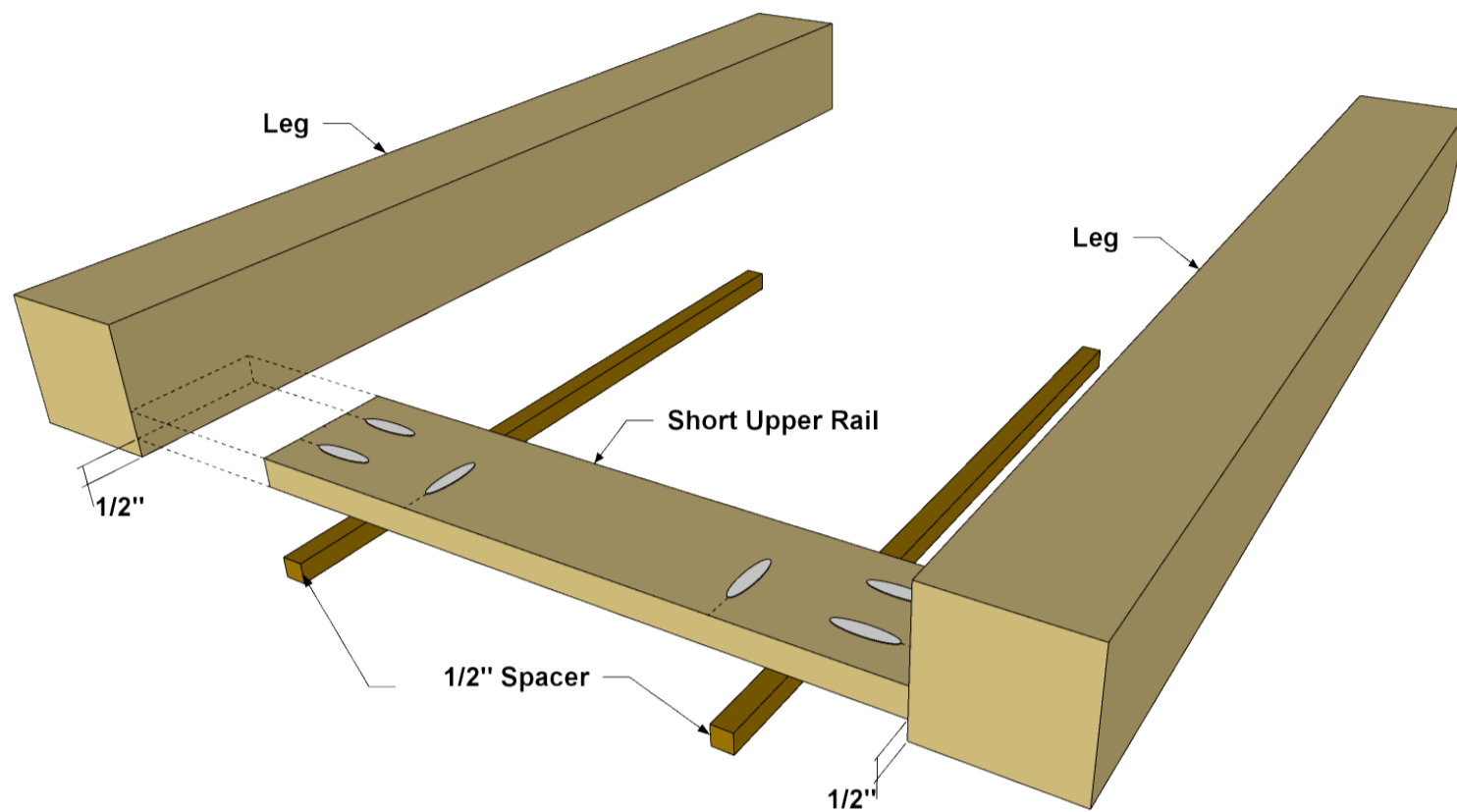
Cut two Long Upper Rails and two Short Upper Rails from 1x4 boards, as shown in the cutting diagram. Set your Kreg Pocket-Hole Jig for 3/4"-thick material, and then drill pocket holes in the Rails at the locations shown.



4

Attach Upper Short Rails to Legs

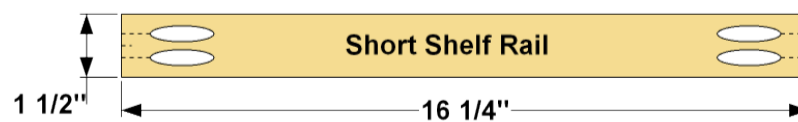
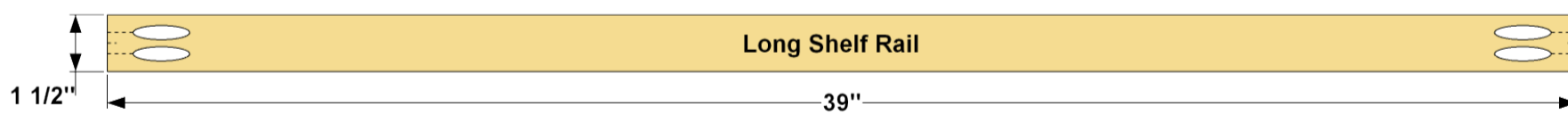
Cut a 36"-long 1/2" dowel in half to create two spacers. Lay the spacers about 10" apart on a flat work surface. Lay one Short Upper Rail on the dowels and then bring two legs together so the top of the Legs and the top of the Short Upper Rail are flush. Clamp the assembly together and secure the Short Rail to the Legs using 1 1/4" coarse-thread Pocket-Hole Screws.



5

Make the Shelf Rails

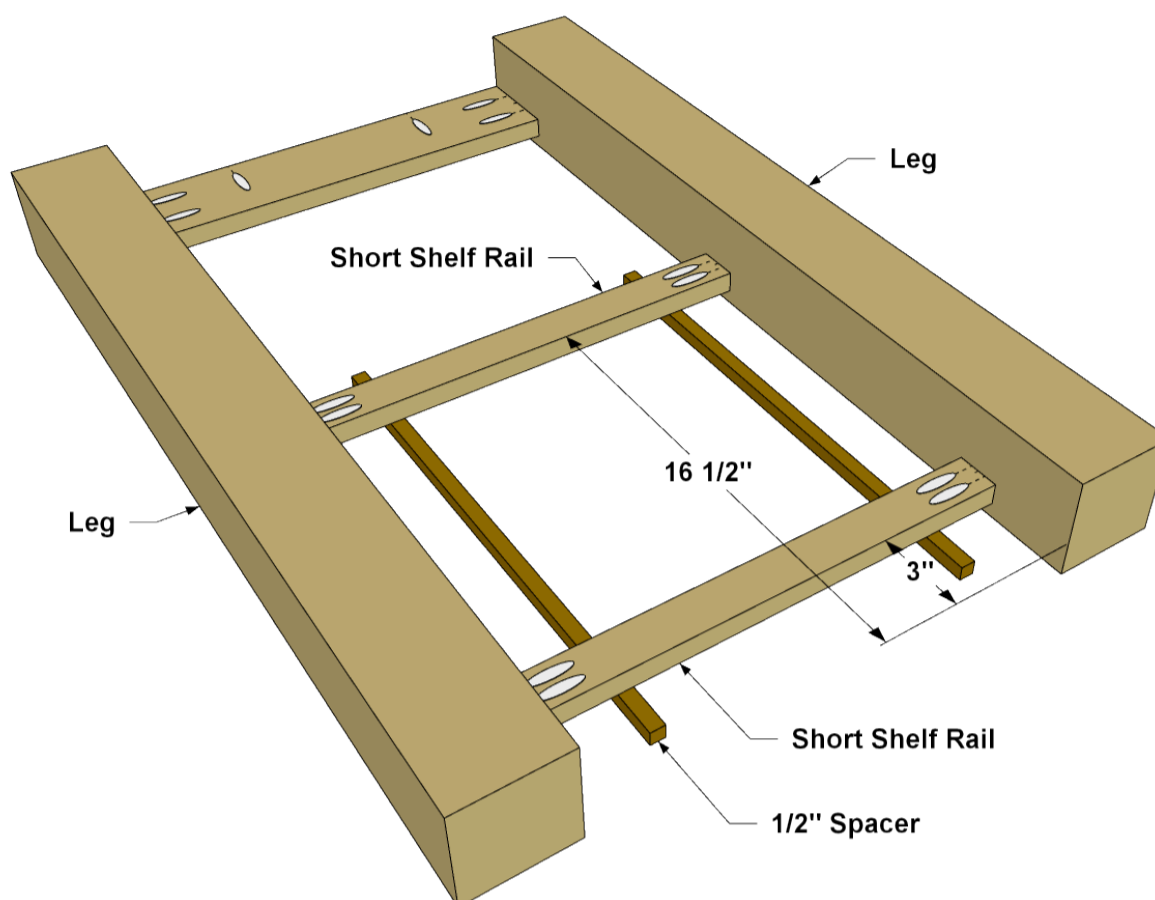
Cut four Long Shelf Rails and four Short Shelf Rails to length from 1x2 boards, as shown in the cutting diagram. Drill pocket holes at the locations shown.



6

Attach the Short Shelf Rails

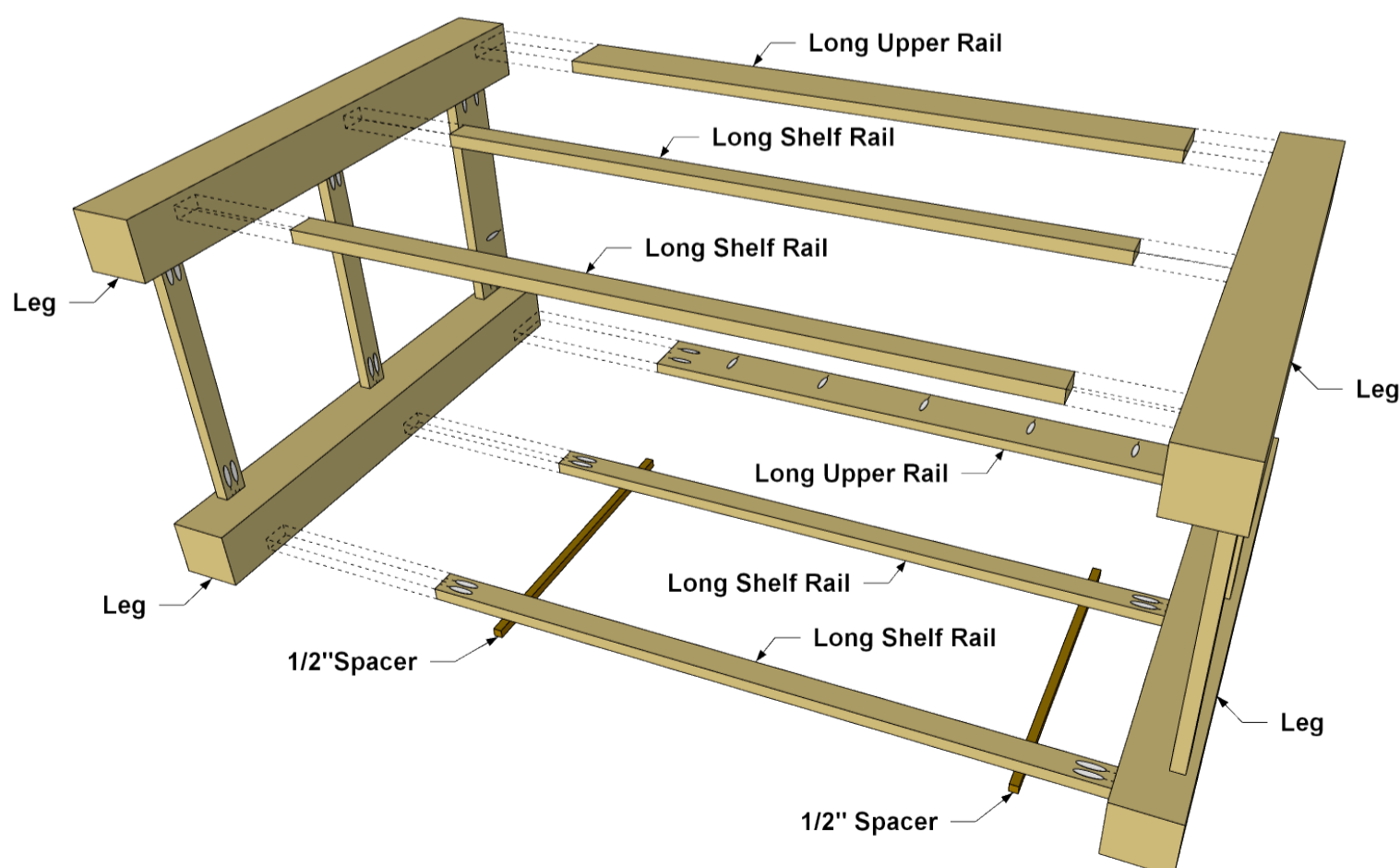
Move the dowels to the other end of the Legs, and then position the two Short Shelf Rails in place at the locations shown. Clamp them in place. Secure the rails to the Legs using 1 1/4" coarse-thread Pocket-Hole Screws. Repeat the previous two steps to complete the other side assembly.



7

Add the Long Rails

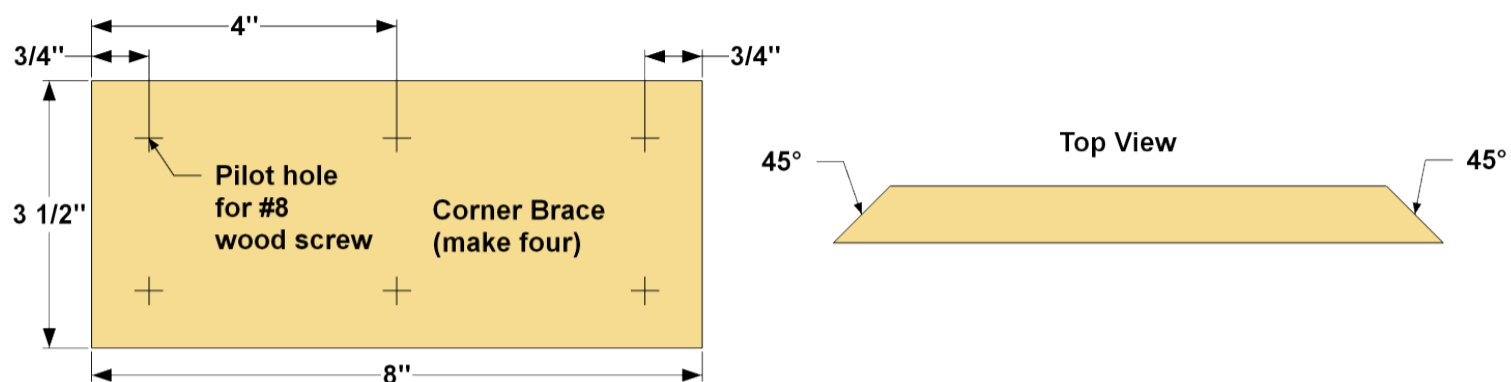
Stand the Side assemblies on edge as shown in the diagram. Just as you did for the side assemblies, set the Long Upper Rail in place on the dowel spacers, and attach it using 1 1/4" coarse-thread Pocket-Hole Screws. Then position and attach the two Long Shelf Rails in the same way. Carefully tip the assembly over, and then repeat this process for the remaining two Shelf Rails and the last Long Upper Rail in order to complete the base frame. This is a good time to give all of the pieces a final sanding.



8

Make Corner Braces

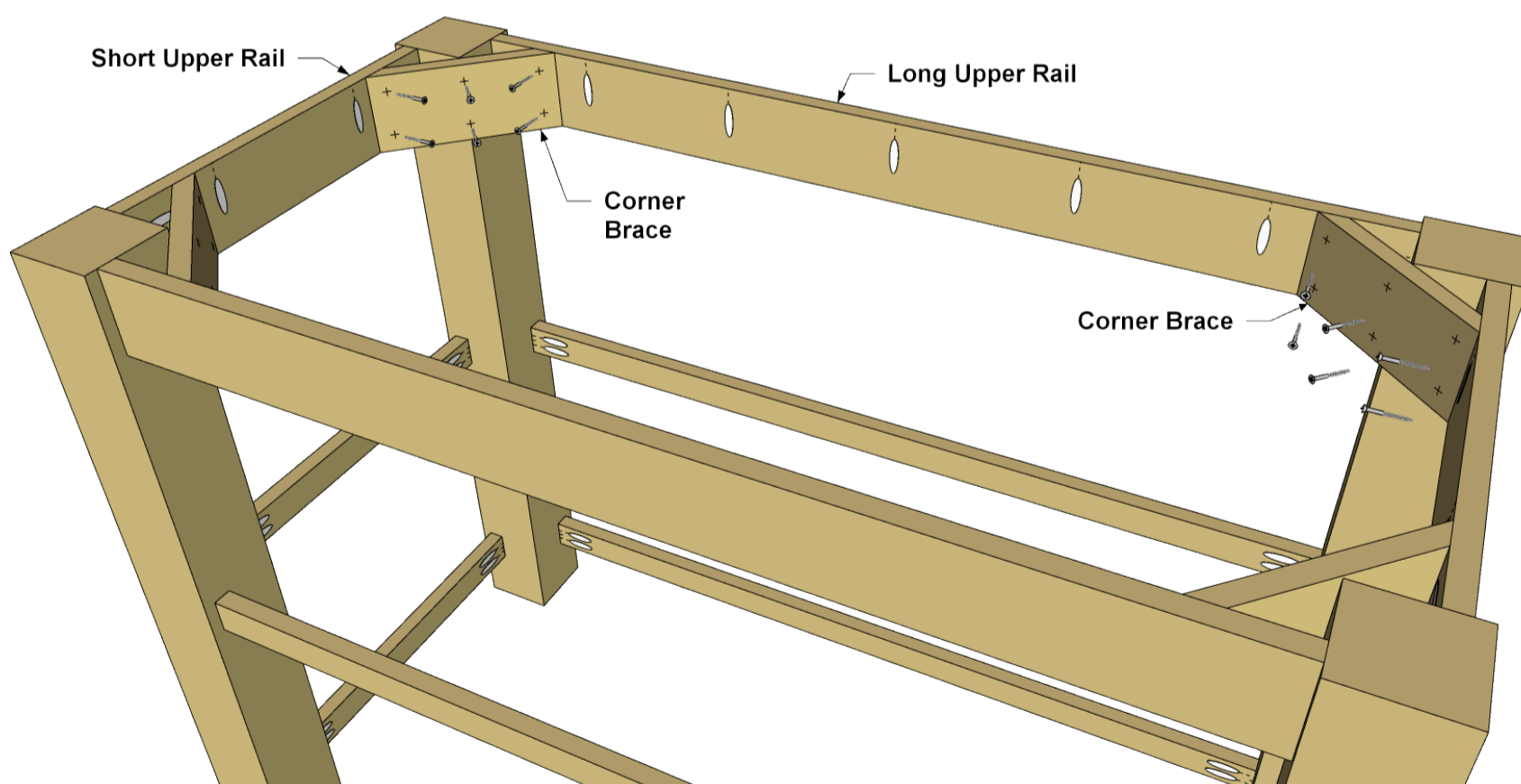
Cut four Corner Braces to length from 1x4 boards, as shown in the cutting diagram, beveling each end at 45°. Drill pilot holes at the location shown for screws that will be used to attach the Braces.



9

Install the Corner Braces

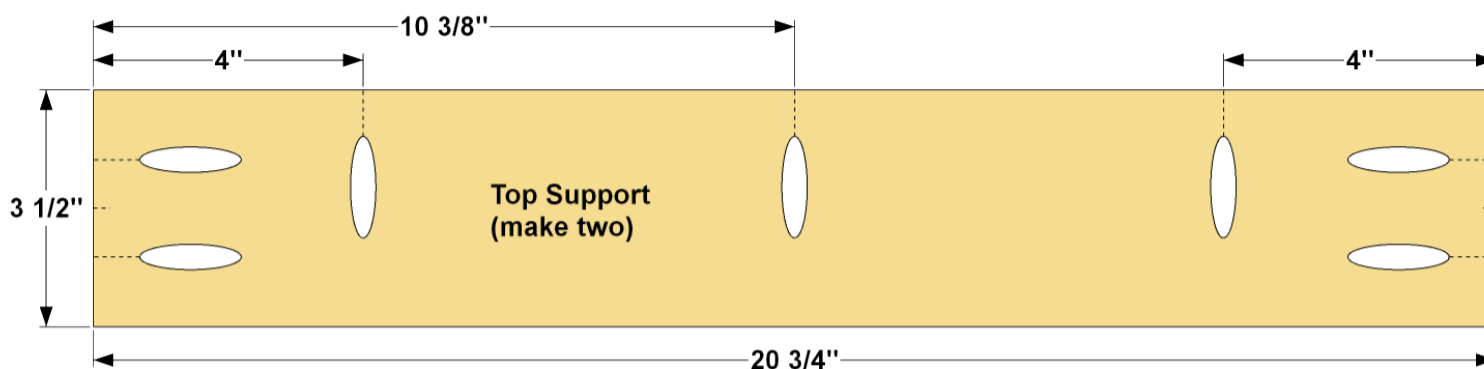
Align the upper edge of the first Corner Brace with the upper edge of the Rails, and then secure it to the Rails and the Leg as shown using 1 1/2" flat-head wood screws. Do this for the other three braces.



10

Create Top Supports

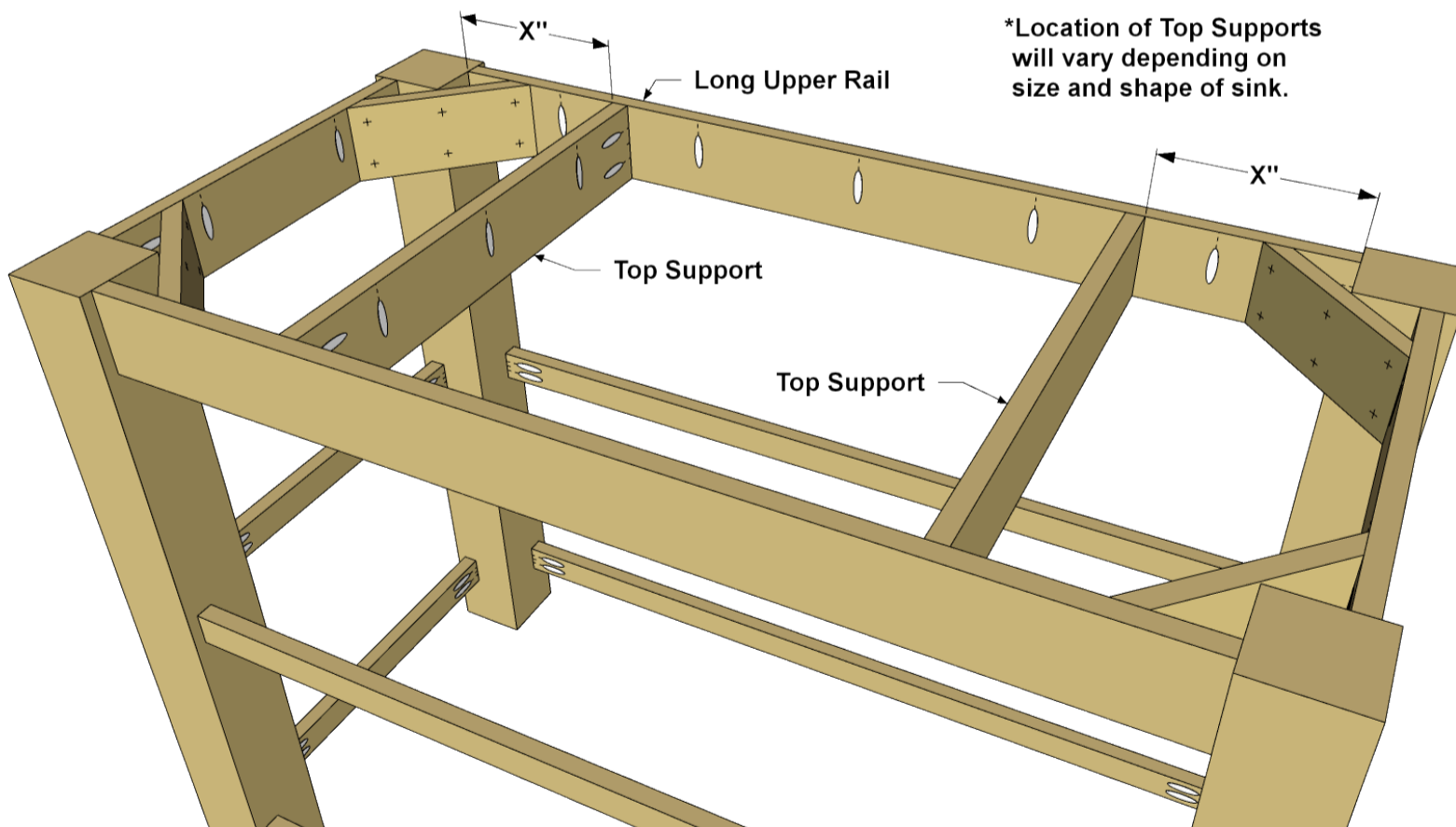
Cut two Top Supports to length from 1x4 boards, as shown in the cutting diagram. Drill pocket holes where shown.



11

Install the Supports

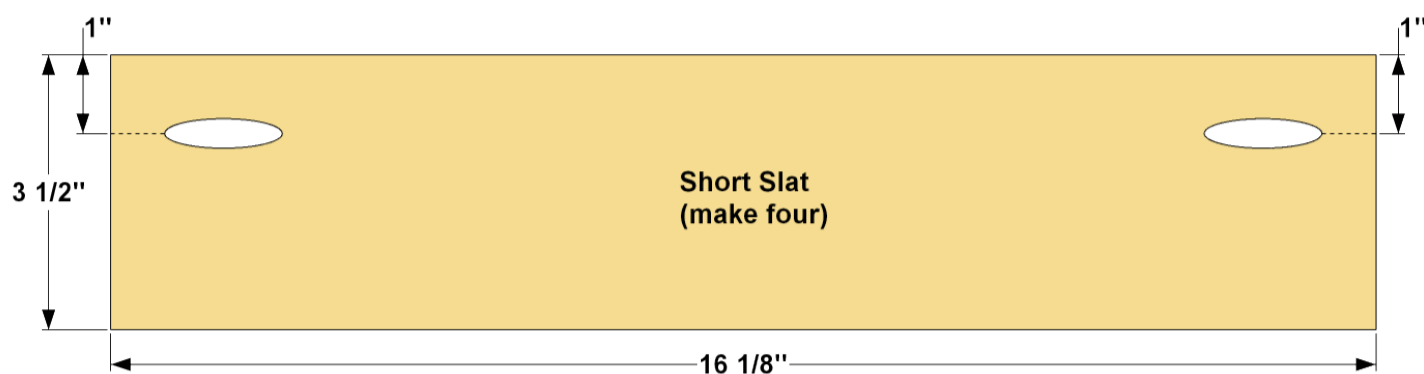
Install the Top Supports to the Long Upper Rails with 1 1/4" coarse-thread Pocket-Hole Screws. The location of the Top Supports will depend on the size and position of the sink you choose for this project.



12

Make the Short Slats

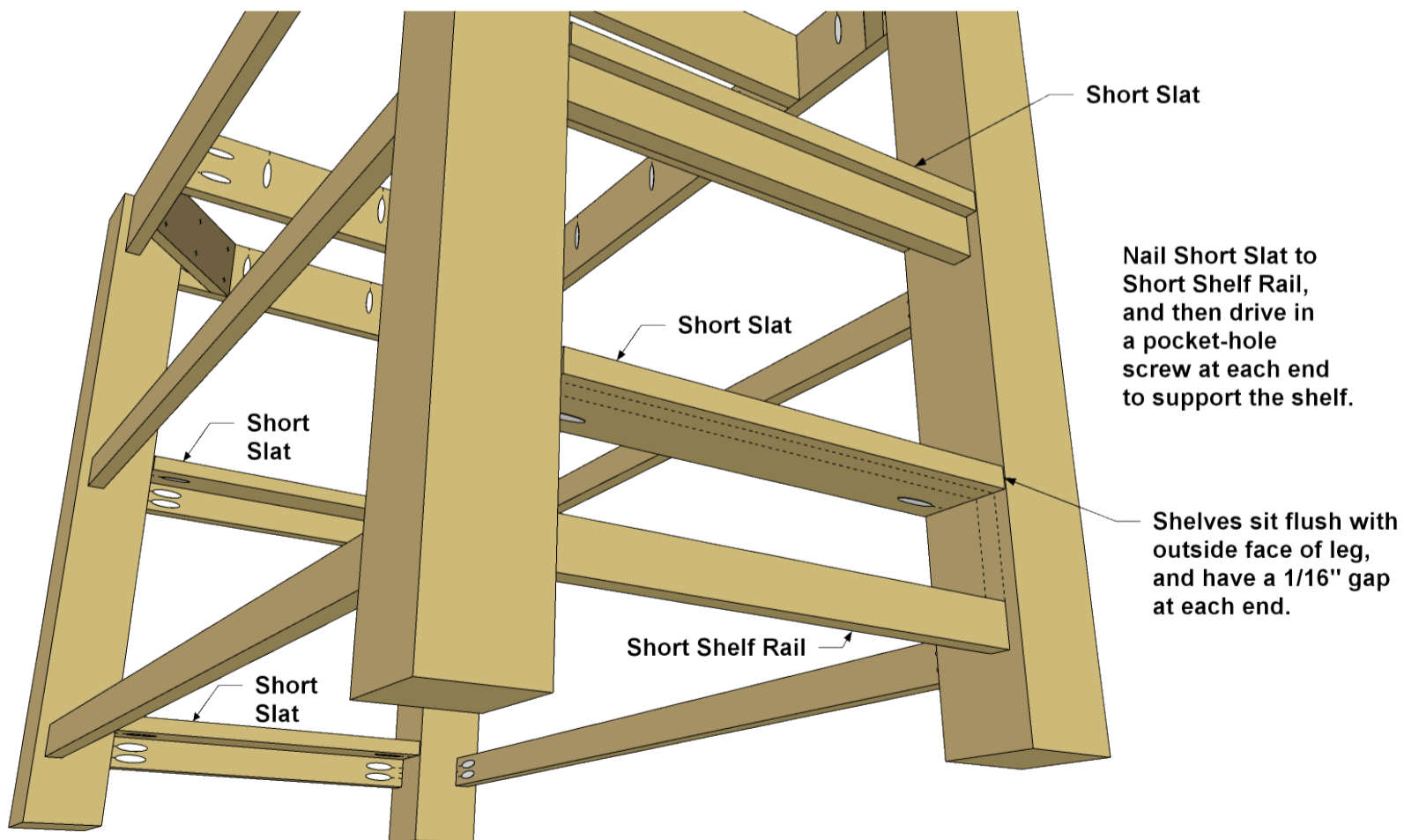
Cut four Short Slats to length from a 1x4 board as shown in the cutting diagram. Drill pocket holes at the locations shown.



13

Install the Short Slats

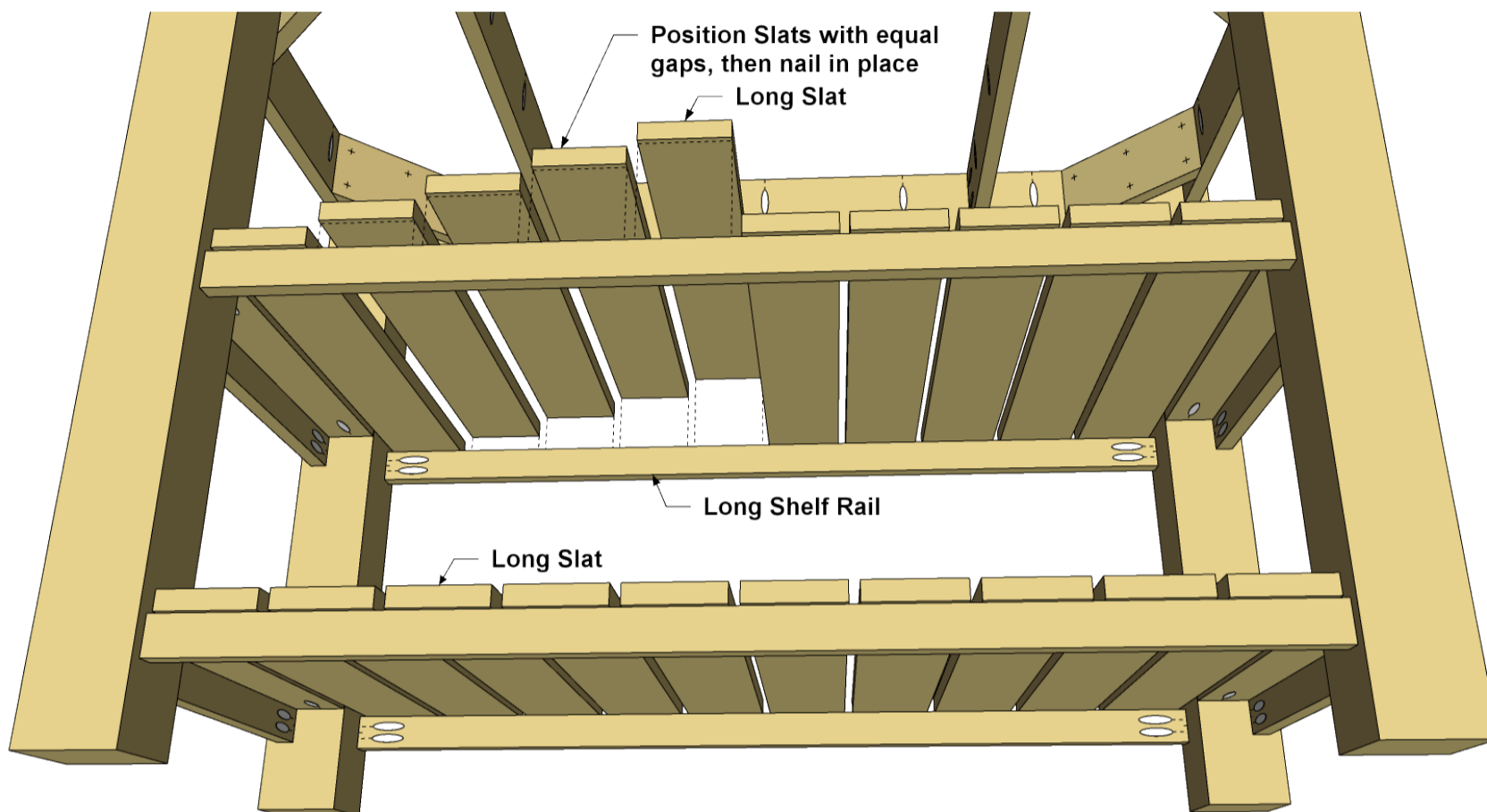
Set the Short Slats on the Short Shelf Rails so that the outside edge of each Slat is flush with the outside edge of the Legs. Secure the Slats to the Legs using two 1 1/4" coarse-thread Pocket-Hole Screws. Then nail the Short Slats to the Short Shelf Rails using four 1 1/2" brad nails in each Slat. A brad nailer works best for this if you have access to one or can rent one. If you don't have access to a brad nailer, you can use a hammer and standard nails.



14

Make and Attach Long Slats

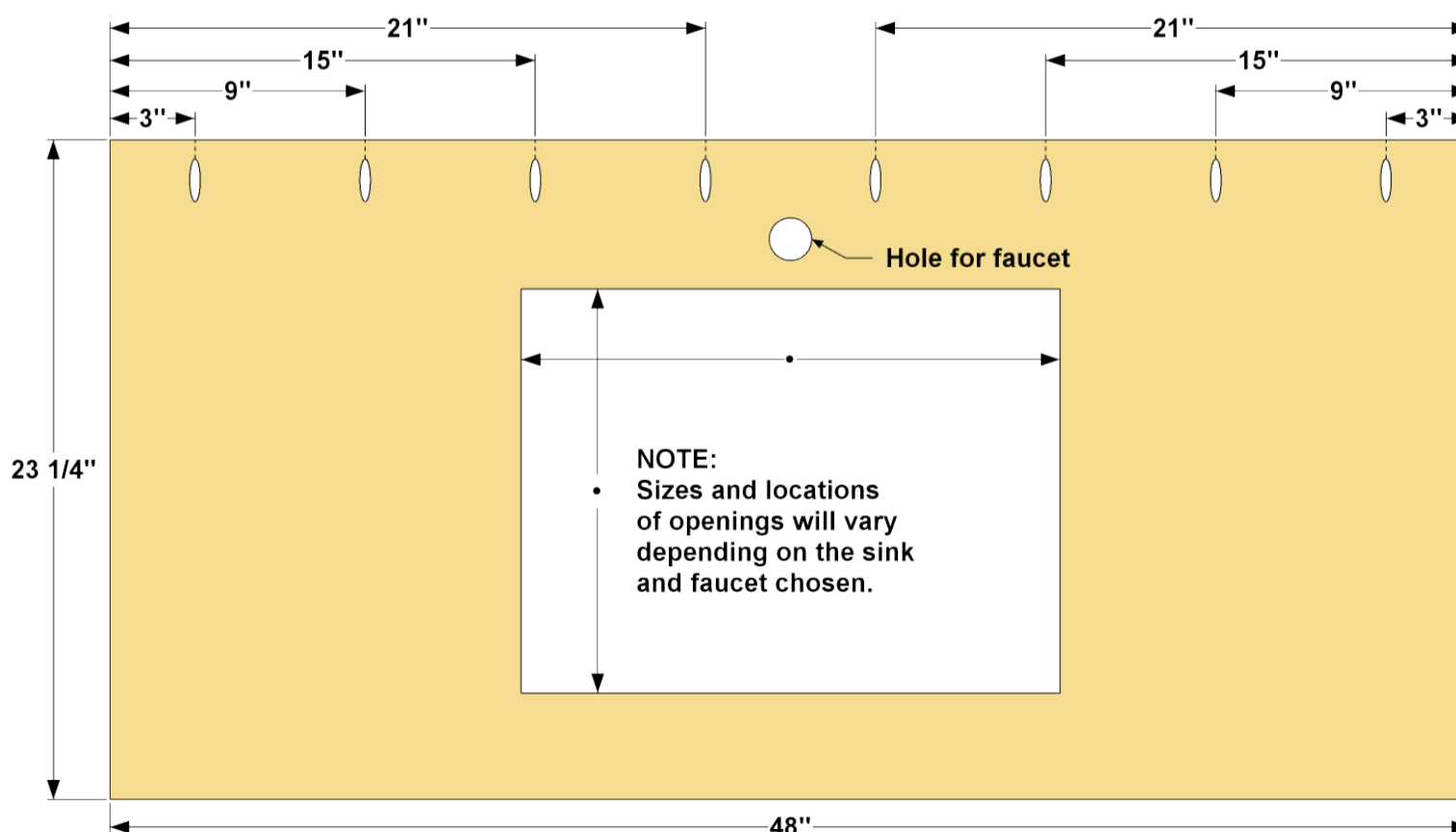
Cut 20 Long Slats to length from 1x4 boards as shown in the cutting diagram. Due to the number of slats and the narrow gaps between each one, now would be a good time to sand and finish the Slats before installation. With that done, position the Long Slats with equal spacing in between. Each Slat should overhang the front rail by 1/4". Once you have the Long Slats in position, attach them by driving two nails through the slat and into the rail at each end.



15

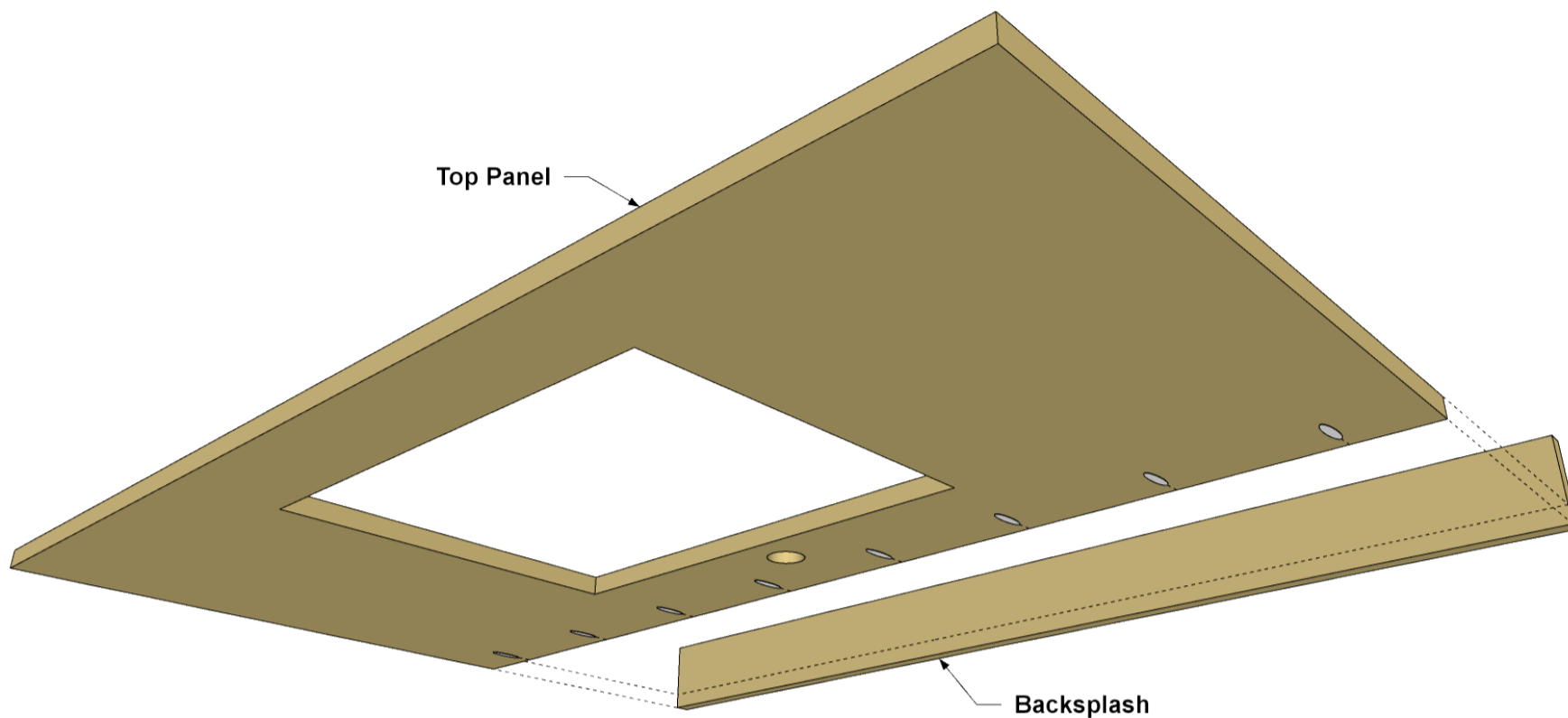
Make the Top Panel

For this project, we used an edge-glued pine project panel. It doesn't have to be cut to size, but there are a couple of things you need to consider. The thickness may vary somewhat depending on where you purchase it. Check to see if the panel is thinner than 3/4". In addition, depending on the sink and faucet you use, the size and location of the holes may vary. Make sure to carefully lay out the sink and faucet locations before you cut the openings. Then cut the openings using a jigsaw. Then drill pocket holes along the rear edge, on the underside, as shown.



16**Attach the Backsplash**

Cut a Backsplash to length from a 1x4 board as shown in the cutting diagram. Spread glue on the rear edge of the Top Panel, and then position the Backsplash against the rear edge of the Top and clamp it in place. Using the holes in the Backsplash as guides, drill pilot holes into the Top Panel, and then secure the Backsplash to the Top using 1 1/2" ?at-head wood screws.

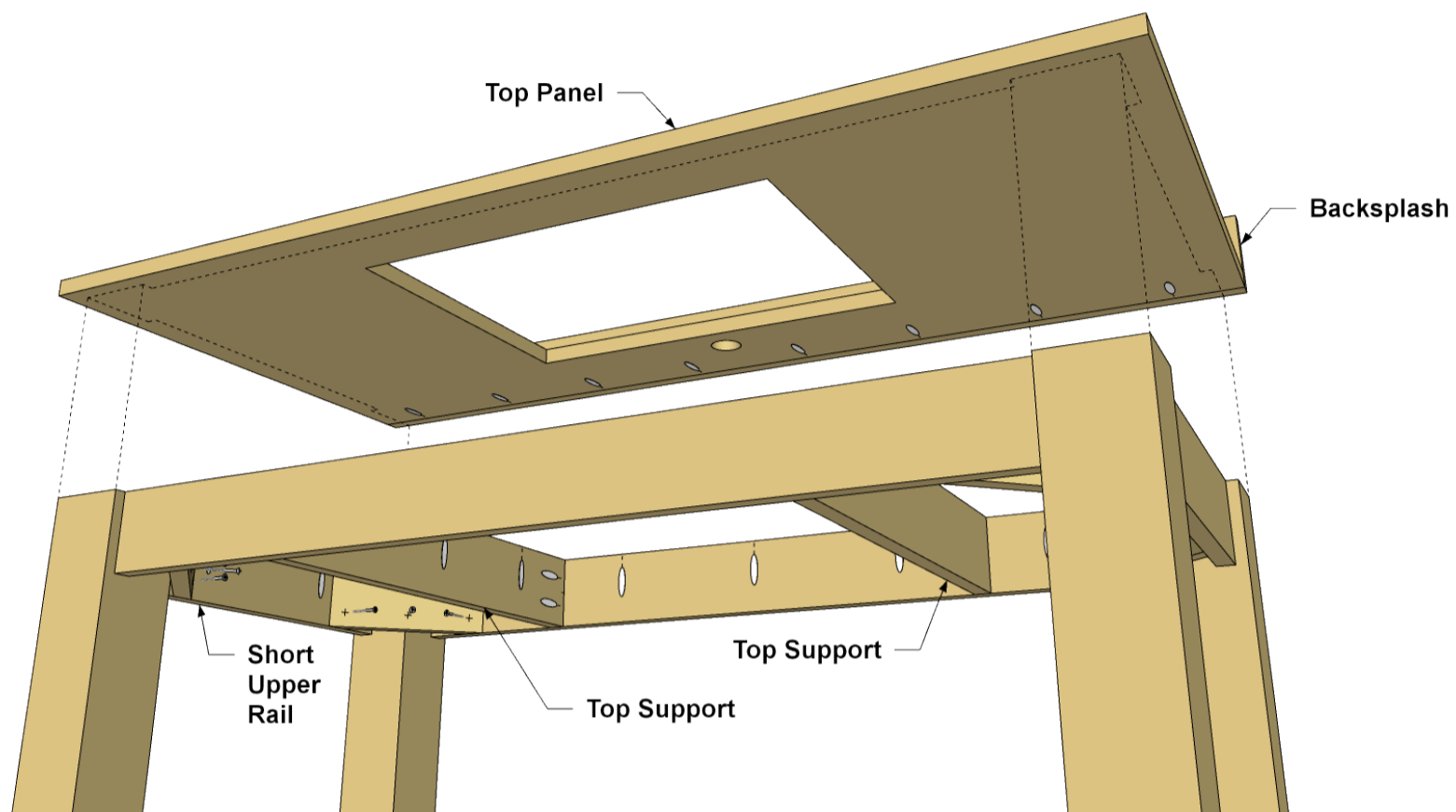
**17****Time for a Finish**

Sand the vanity, and then apply the stain of your choice. Because the top of the vanity is wood, it is susceptible to water damage. It's important to take a few precautions to help prevent damage and ensure that the Top Panel will last. Seal all of the ends and edges, including the sink and faucet cutouts, plus the upper and lower faces, with several coats of spar varnish or exterior polyurethane. Though the vanity base won't get wet like the Top, it's a good idea to add a coat or two of finish to it, as well.

18

Attach the Top to the Base

After the varnish dries completely, lay the Top on the base so the rear edge of the Backsplash is flush with the back face of the Legs. Then you can secure the Top. If your panel is 3/4"-thick or thicker, use 1 1/4" coarse-thread pocket-hole screws. If the top is less than 3/4" thick, switch instead to 1" pocket-hole screws.



19

Install the Vanity

Add nail-on glides to the bottom of each Leg to protect them from water on the floor. Install a couple anchors in the wall at the height of the Long Upper Rail, and then secure the vanity to the wall with a couple of long screws to keep it from moving.