

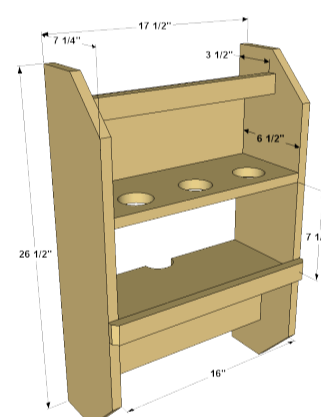
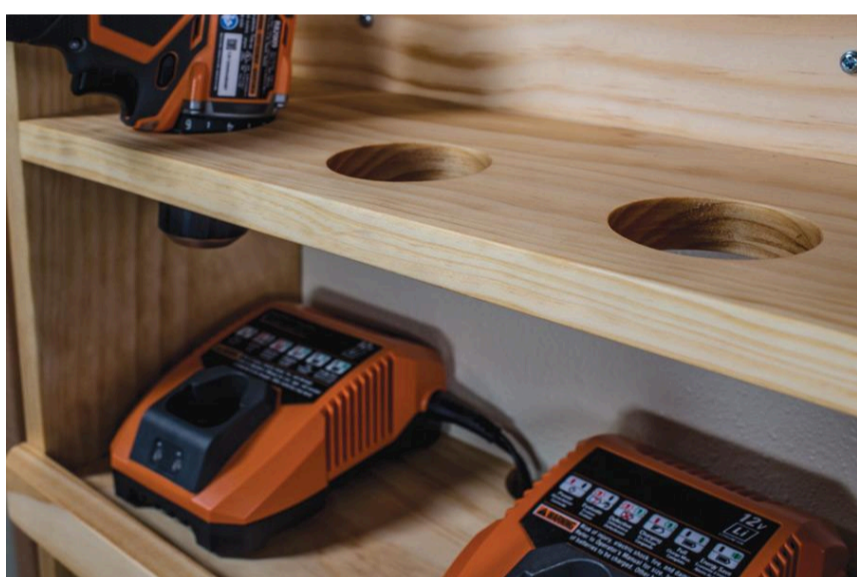
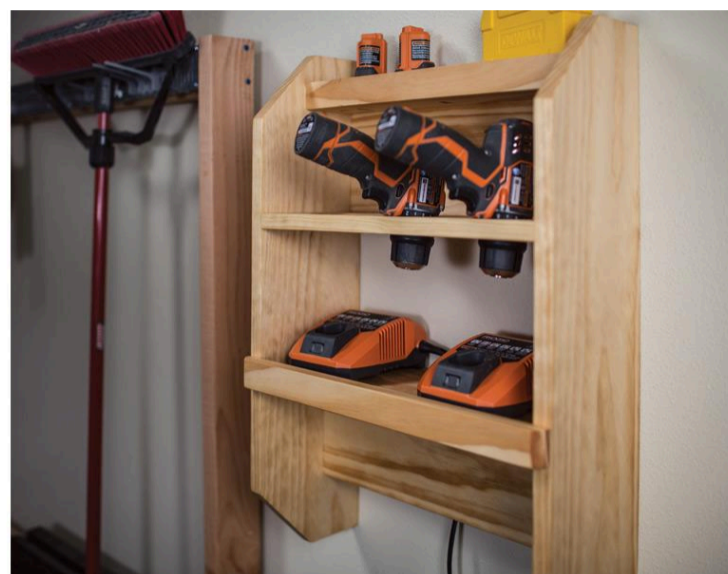
Cordless Tool Charging Station

By **Kreg Tool**

Difficulty

Easy

Cordless tools are great, but finding a place to keep their chargers and batteries can be a challenge. This wall-mounted station offers space for several chargers, plus storage for three drills. It's a great way to keep your cordless tools organized and ready to go.



Tools

Kreg Tools



[Kreg® Pocket-Hole Jig 320](#)



[Multi-Mark™](#)



[90° Corner Clamp](#)

Other Tools

drill/driver

miter saw

sander

tape measure

2 1/2" hole saw

Materials

Wood Products

1 Pine Board , 1x2 X 48"

1 Pine Board , 1x3 X 48"

1 Pine Board , 1x4 X 24"

1 Pine Board , 1x6 X 48"

1 Pine Board , 1x8 X 96"

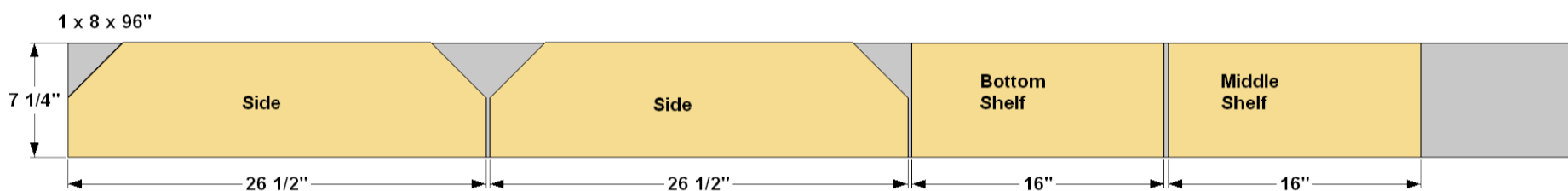
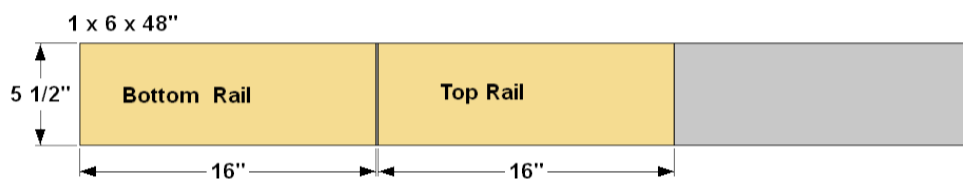
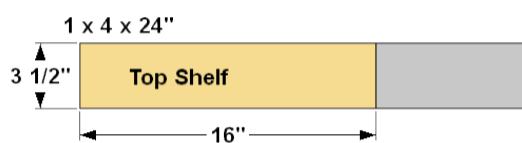
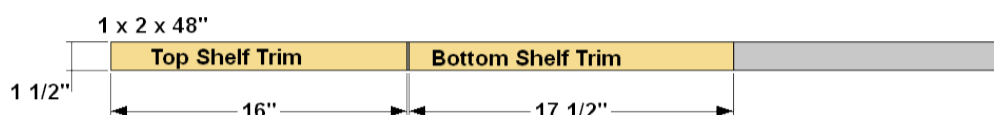
Hardware & Supplies

35 1 1/4" Coarse-thread Kreg Pocket-Hole Screws

2 3" Wood Screws

Cut List & Parts

- 1 Top Shelf, 3/4" X 3 1/2" X 16"
- 1 Top Shelf Trim, 3/4" X 1 1/2" X 16"
- 1 Top Rail, 3/4" X 5 1/2" X 16"
- 1 Middle Shelf, 3/4" X 7 1/4" X 16"
- 2 Side, 3/4" X 7 1/4" X 26 1/2"
- 1 Bottom Shelf, 3/4" X 7 1/4" X 16"
- 1 Bottom Shelf Trim, 3/4" X 1 1/2" X 17 1/2"
- 1 Bottom Rail, 3/4" X 5 1/2" X 16"

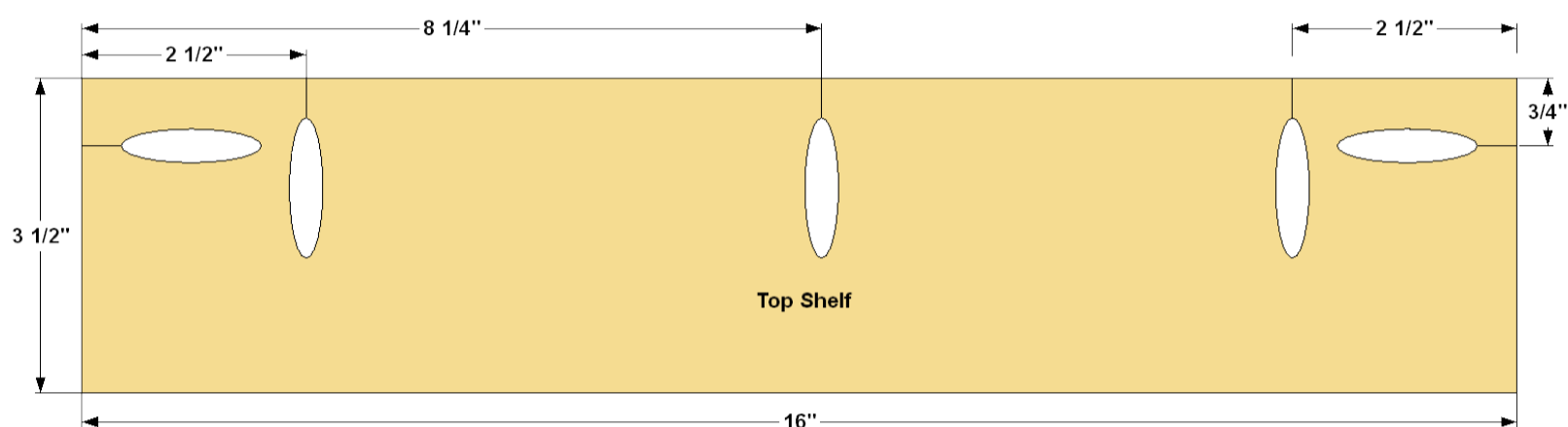


Directions

1

Make a Top Shelf

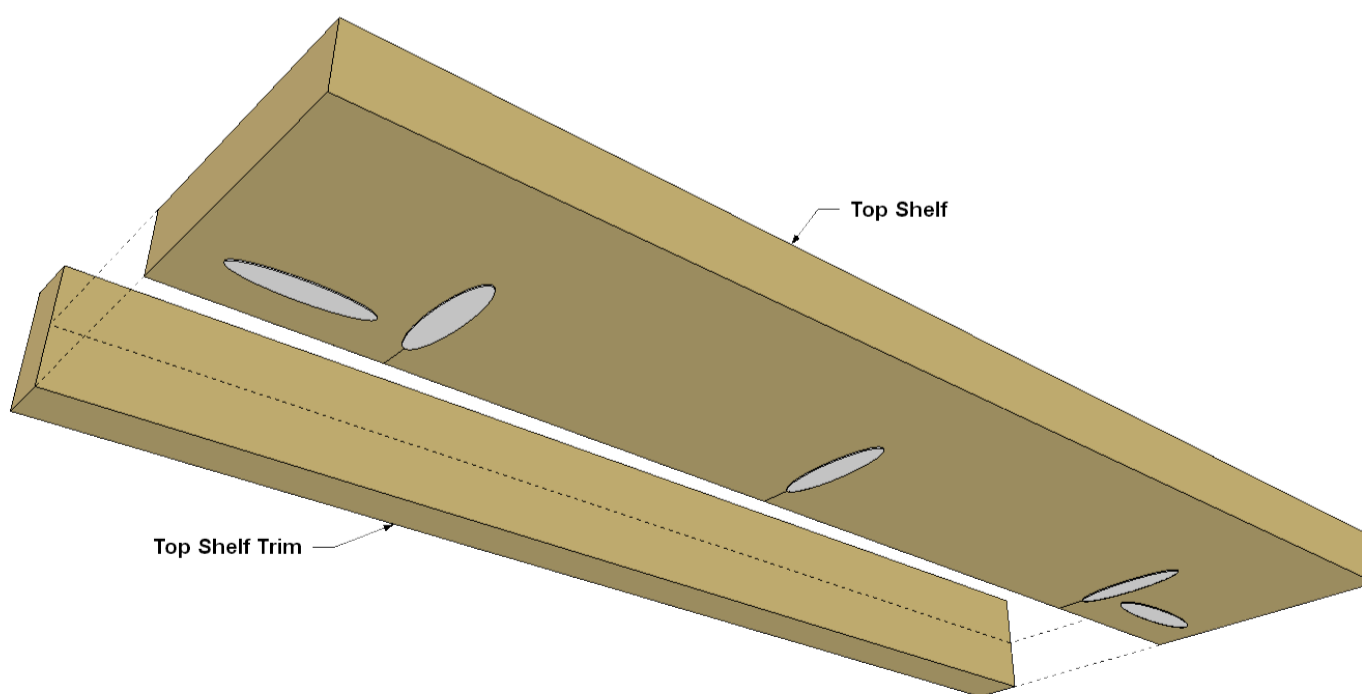
Cut a Top Shelf to length from a 1x4 board, as shown in the cutting diagram. Set your Kreg® Pocket-Hole Jig for 3/4"-thick material, and then drill pocket holes in the Top Shelf, as shown. Sand the faces smooth.



2

Add Top Shelf Trim

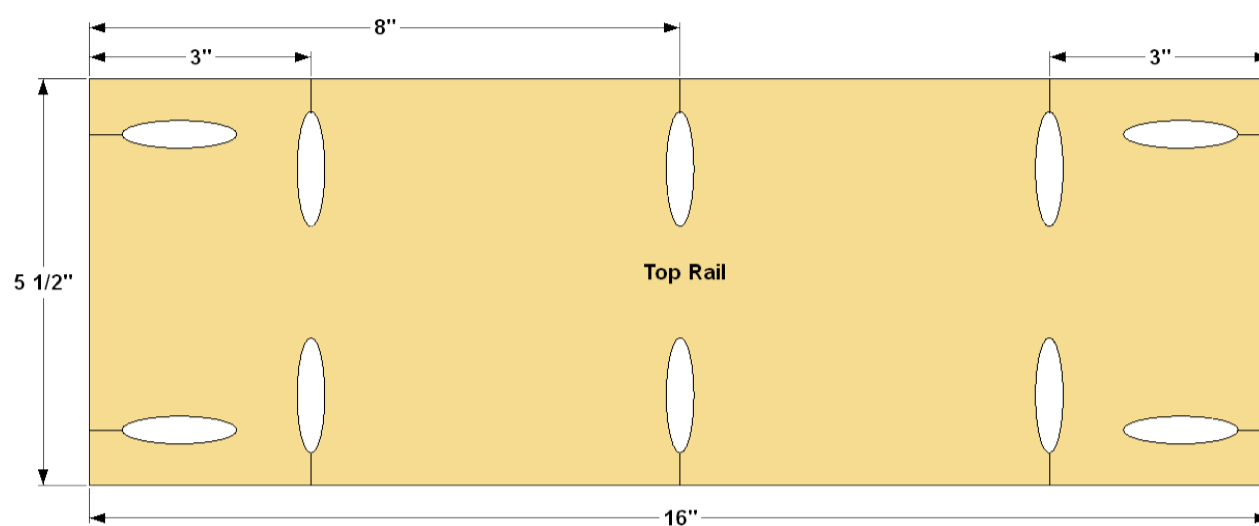
Now cut a piece of Top Shelf Trim from a 1x2 board, as shown in the cutting diagram, and sand the faces smooth. Then attach the Trim to the Top Shelf using 1 1/4" coarse-thread Kreg Pocket-Hole Screws, as shown.



3

Make a Top Rail

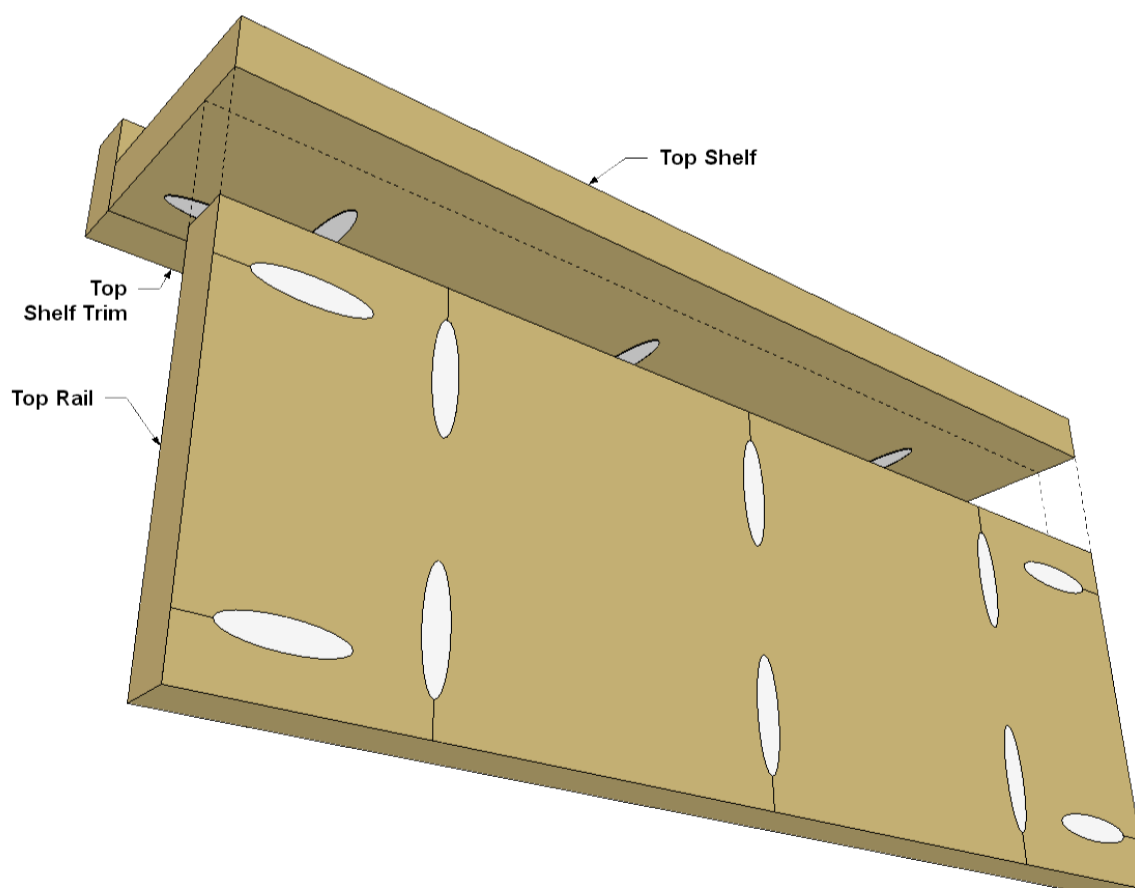
Cut a Top Rail to length from a 1x6 board, as shown in the cutting diagram. Drill pocket holes in the Top Rail, as shown, and then sand the faces smooth.



4

Attach the Top Rail

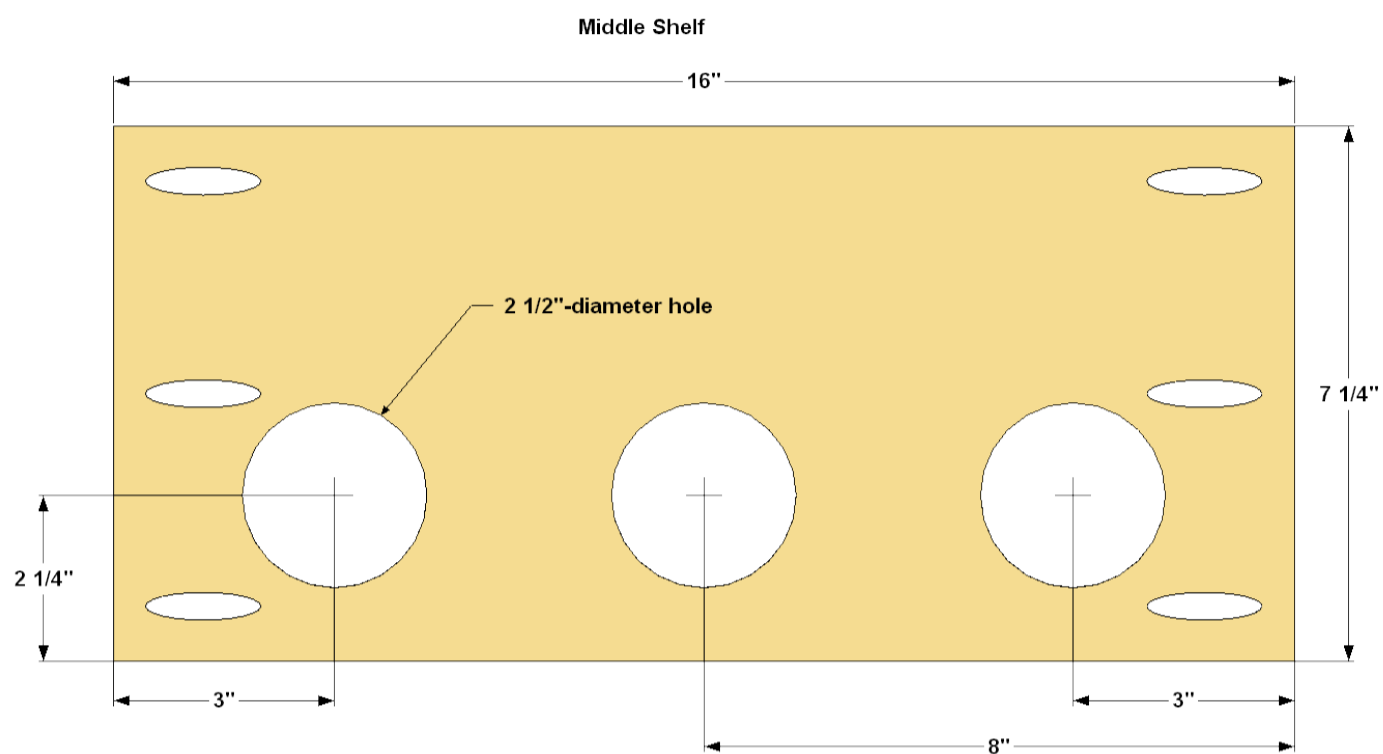
Now you can attach the Top Shelf assembly to the Top Rail using 1 1/4" coarse-thread Kreg Pocket-Hole Screws.



5

Make the Middle Shelf

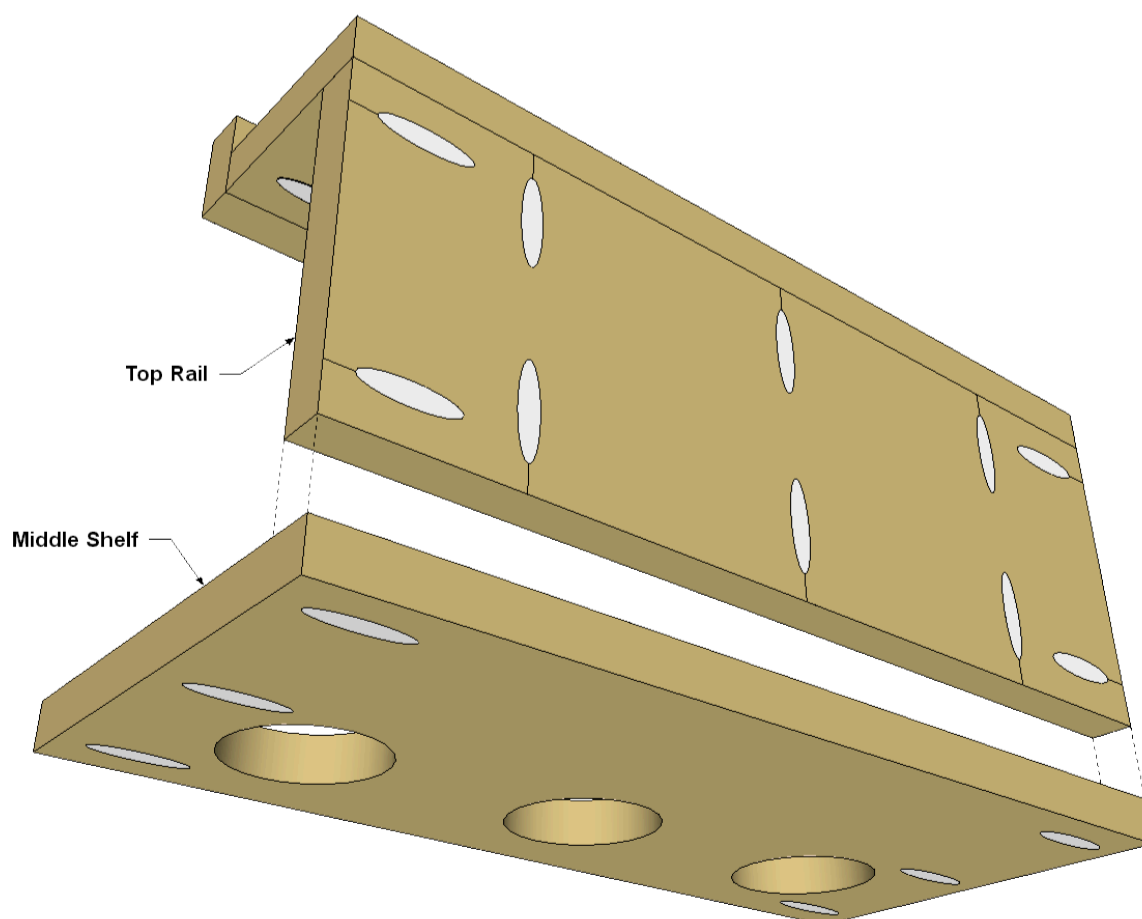
Cut a Middle Shelf to length from a 1x8 board, as shown in the cutting diagram. Drill pocket holes at the ends, as shown. Then lay out and drill three 2 1/2"-diameter holes where shown. You'll be able to slip your drill chucks into these holes for storage. Sand the faces smooth.



6

Attach the Middle Shelf

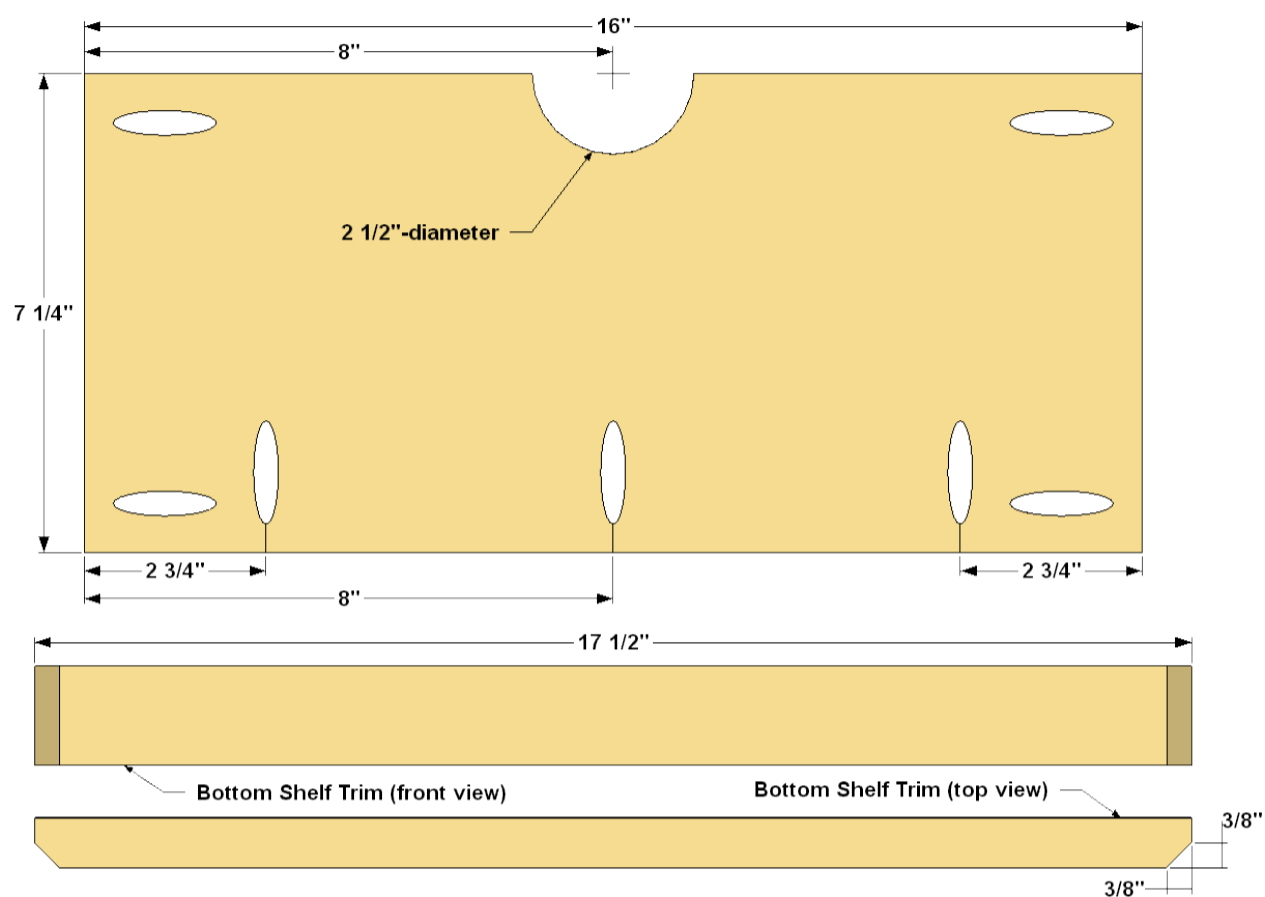
Next, attach the Middle Shelf to the Top Shelf/Rail assembly using 1 1/4" coarse-thread Kreg Pocket-Hole Screws. Make sure that the ends of the all the pieces are flush, and sand them if needed.



7

Make the Bottom Shelf Parts

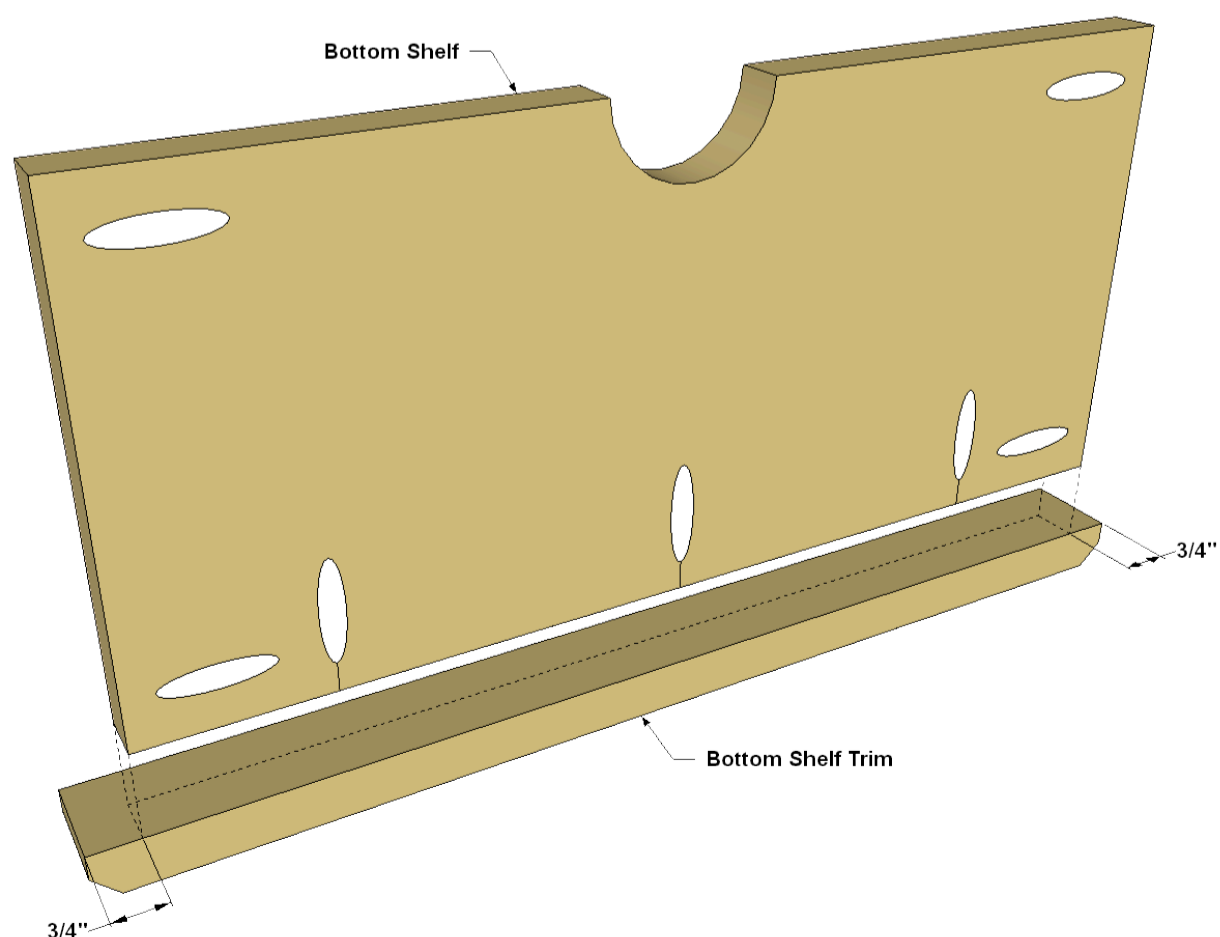
Cut a Bottom Shelf to length from a 1x8 board, as shown in the cutting diagram. Drill pocket holes at the locations shown. Then drill a half-circle cutout along the back edge of the Middle Shelf using a 2 1/2" hole saw, as shown. The easiest way to do this is to clamp a scrap piece along the edge of the shelf, then drill where the board meet. You can also cut the Bottom Shelf Trim from a 1x2 board. Then cut the profile at each end, as shown. Just stand the piece on edge on your miter saw, set the saw for a 45° miter, and trim off the corners.



8

Assemble the Bottom Shelf

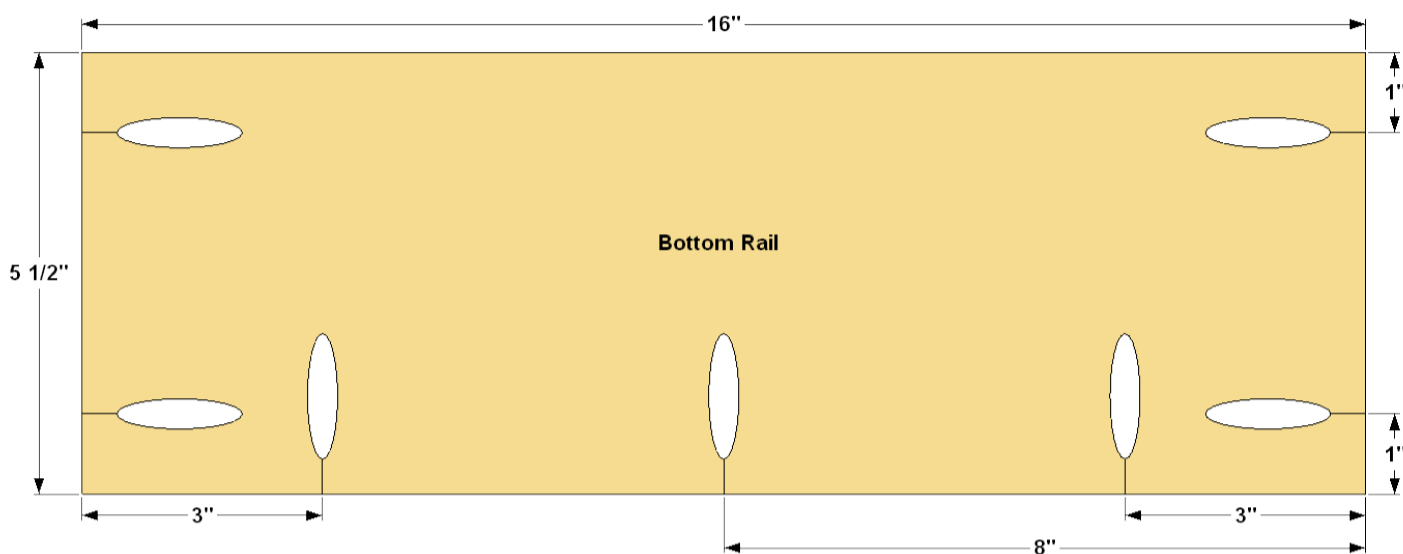
Position the Bottom Shelf Trim, as shown, so that it overhangs the Bottom Shelf by 3/4" on each end, and so that the lower edge of the Trim is flush with the underside of the Shelf. Attach the Trim to the Bottom Shelf using 1 1/4" coarse-thread Kreg Pocket-Hole Screws.



9

Create a Bottom Rail

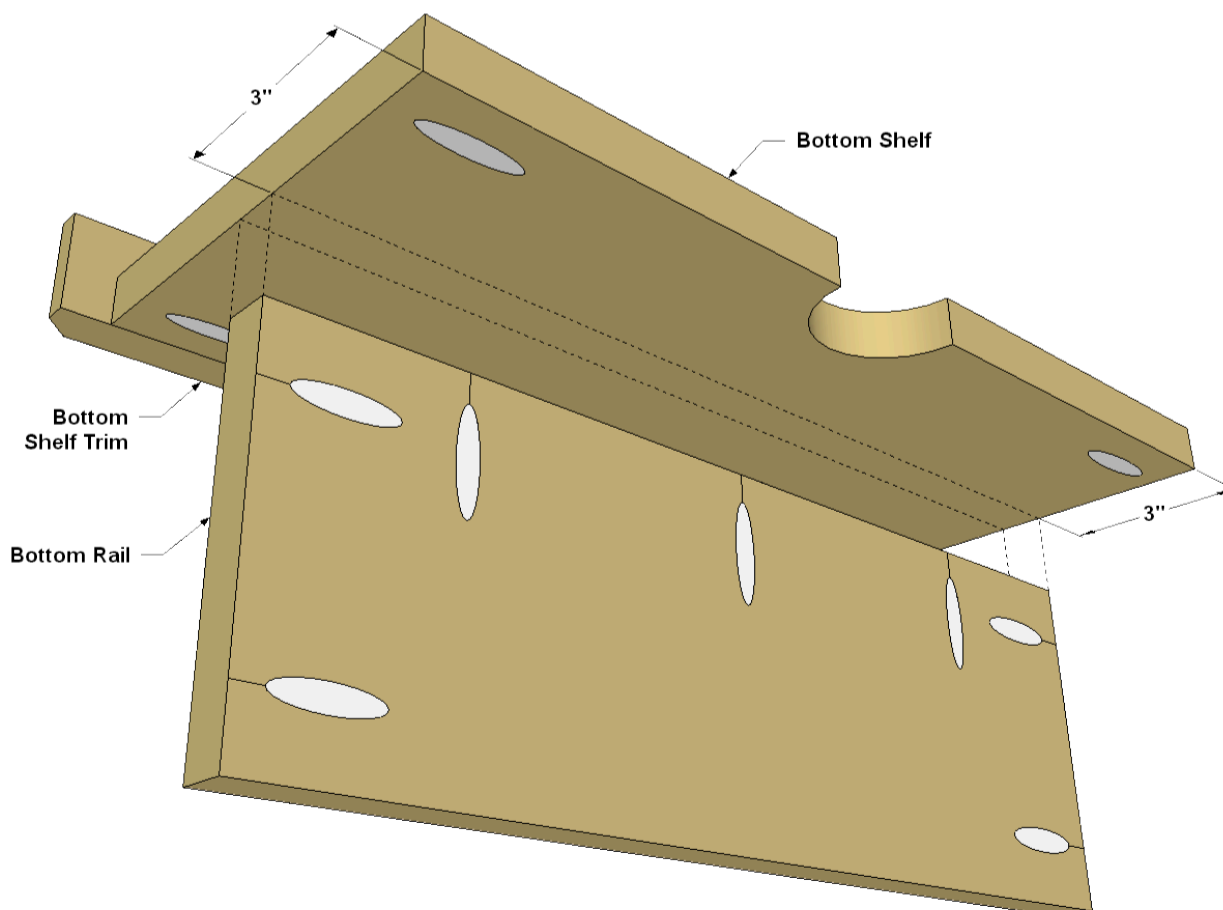
Cut a Bottom Rail to length from a 1x6 board, as shown in the cutting diagram. Drill pocket holes in the Bottom Rail, as shown, and then sand the faces smooth.



10

Attach the Bottom Rail

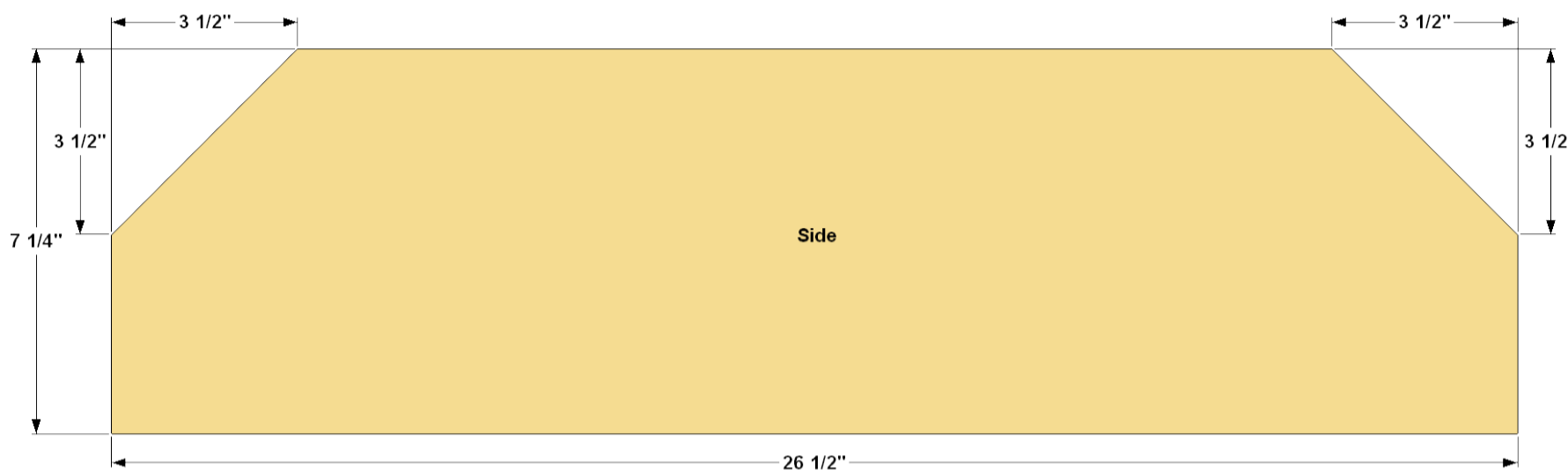
Now you can attach the Bottom Rail to the Bottom Shelf assembly using 1 1/4" coarse-thread Kreg Pocket-Hole Screws, as shown. Make sure that the ends of the Bottom Rail and the Bottom Shelf are flush, and sand them if needed.



11

Make the Sides

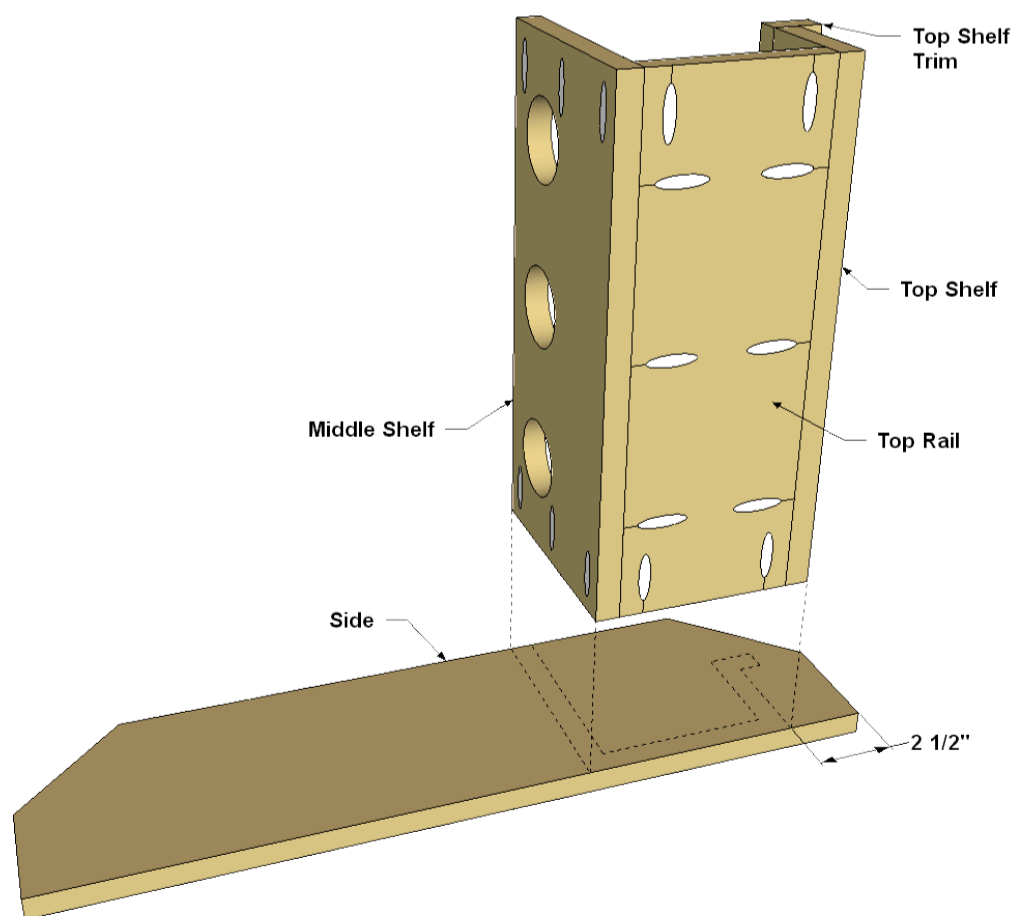
Cut two Sides to length from a 1x8 board, as shown in the cutting diagram. Then cut the angles on the ends, as shown. You can do this easily with a miter saw by setting the saw for a 45° cut. Sand the faces, edges, and ends smooth.



12

Attach the Middle Shelf Assembly

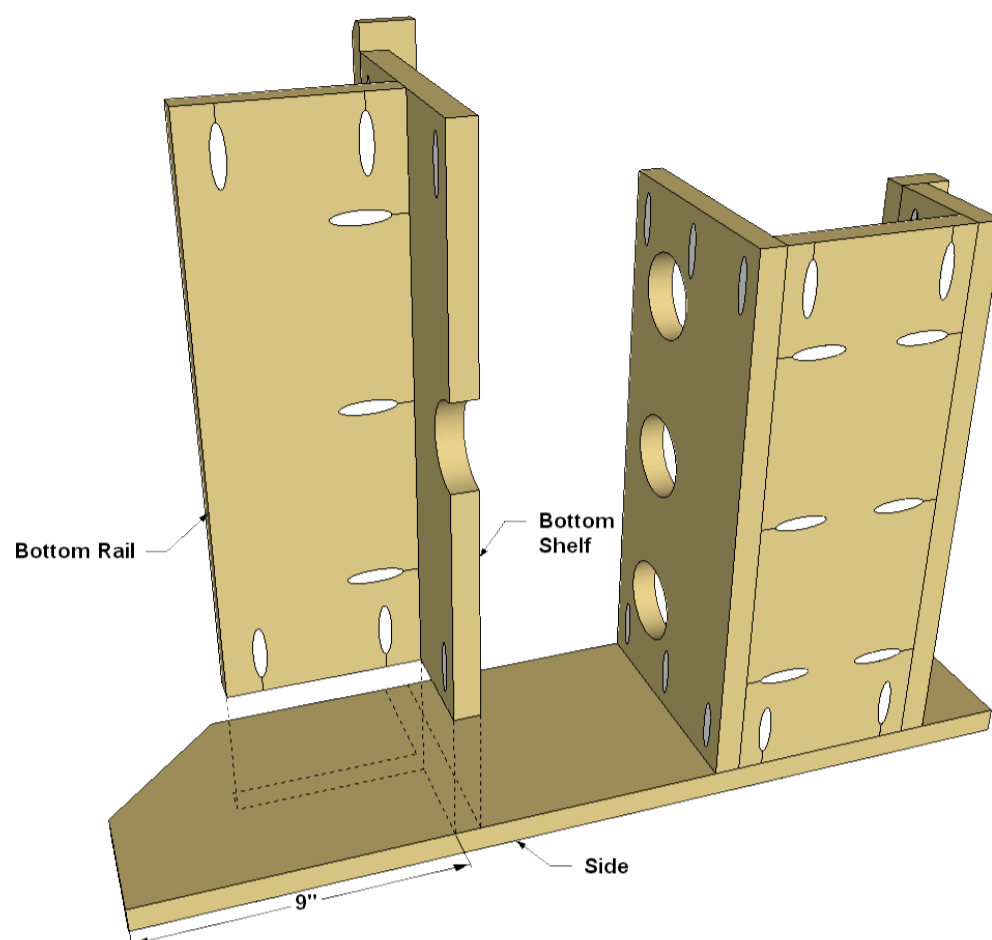
With the parts all made and the subassemblies together, you can begin final assembly. Position the Middle Shelf/Rail/Top Shelf assembly as shown, and then attach these pieces using 1 1/4" coarse-thread Kreg Pocket-Hole Screws.



13

Add the Bottom Shelf Assembly

Position the Bottom Shelf/Rail assembly, as shown, and attach it to the Side using 1 1/4" coarse-thread Kreg Pocket-Hole Screws.



14

Add the Other Side

To complete your charging station, attach the other Side, as shown. You can use the station as is, or you can add a coat of paint or finish. We wiped on a couple coats of oil finish. Then you can mount a power strip to the backside of the Bottom Rail. That way, you can plug your chargers into the power strip, rather than needing a separate wall outlet for each one. Finally, hang your charging station on the wall. If possible, locate it over a wall stud, and drive two 3" screws through the Top Rail and into the stud. If you can't locate the station over a stud, use medium- or heavy-duty wall anchors.

