

storage mirror

By **Jaime Costiglio**

Difficulty

Easy

This mirror with storage is the perfect solution for nearly any spot in your home. Hang it above a dresser to keep perfume, lotions and clutter at bay. Or position it to hold make up and beauty supplies in the bathroom. In the foyer for a quick check before heading out, bonus a home for your keys





Tools

Kreg Tools



Other Tools

Circular Saw (cordless)

Miter Saw

Nail Gun

Sander

Materials

Wood Products

- 1 Plywood , 3/4" Thick , 16" X 13"
- 1 Board , 1x4 , 12 1/8"
- 1 Board , 1x3 , 72"
- 1 Board , 1x2 , 72"

Hardware & Supplies

- 30 1 1/4" Finish Nails
- 1 12" Square Mirror
- 1 Wood Glue
- 1 Construction Adhesive

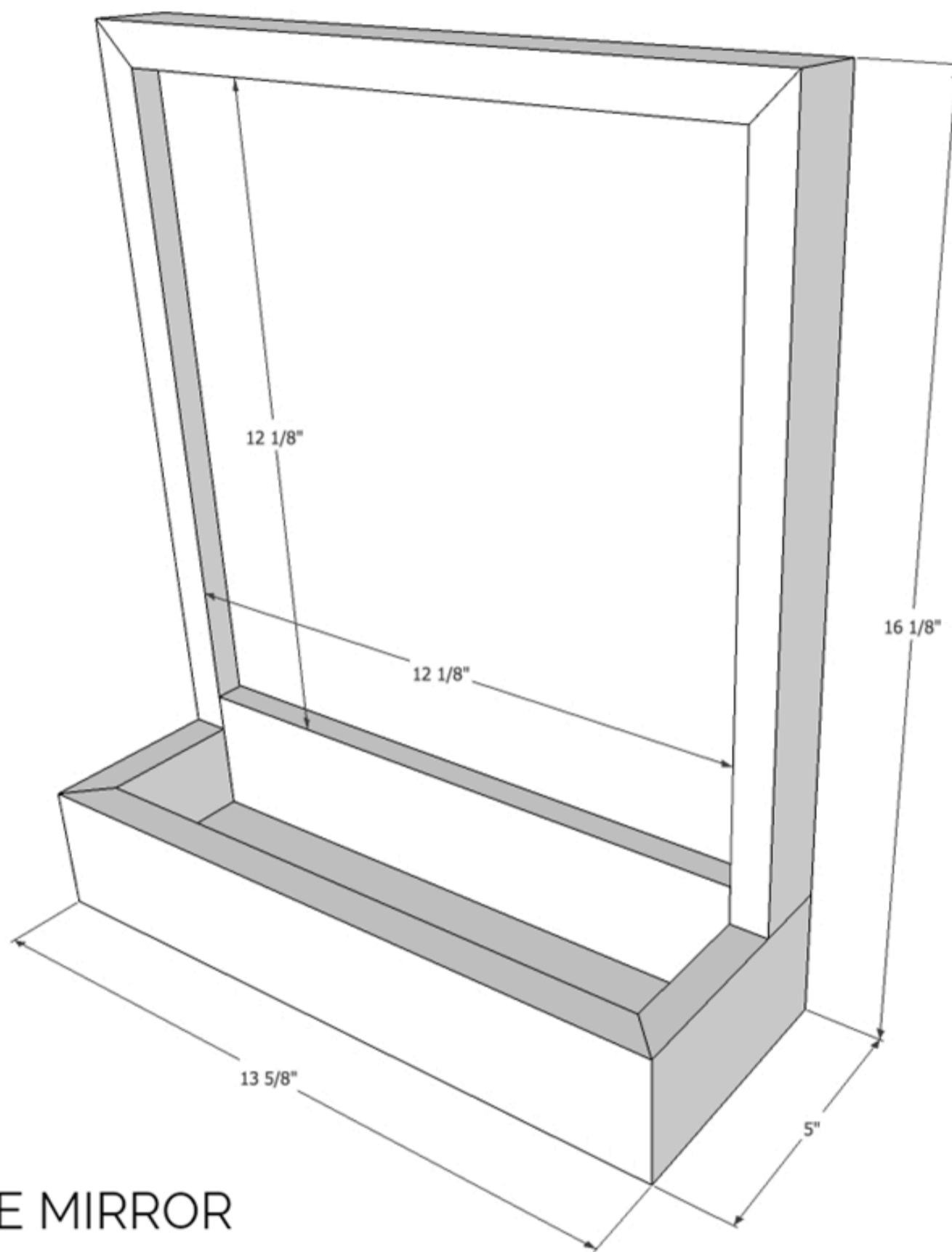
Cut List & Parts

- 1 Backing , 3/4" X 15 3/8" X 12 1/8"
- 1 Base , 1x4 @ 12 1/8"
- 1 Frame Bottom , 1x3 @ 12 1/8"
- 2 Base Sides , 1x3 @ 5", One End 45 Miter
- 1 Base Front , 1x3 @ 13 5/8", Both Ends 45 Miter Not Parallel
- 2 Frame Sides , 1x2 @ 13 5/8", One End 45 Miter
- 1 Frame Top , 1x2 @ 13 5/8", Both Ends 45 Miter Not Parallel

Directions

1

dimensions
mirror dimensions



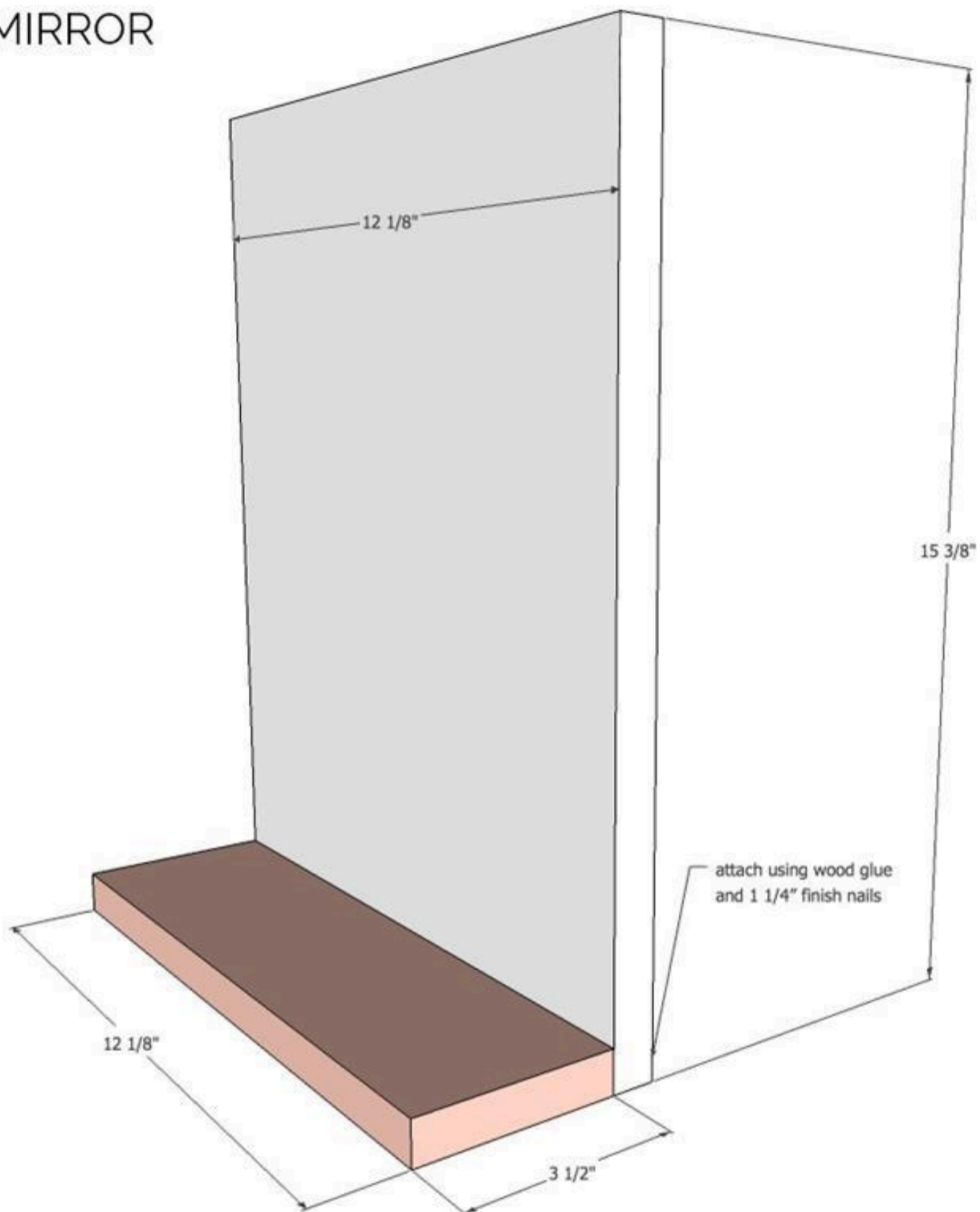
STORAGE MIRROR
JAIMECOSTIGLIO.COM

2

Step 1

Step 1: Attach the base to the backing using wood glue and 1 1/4" finish nails.

**STORAGE MIRROR
STEP 1**



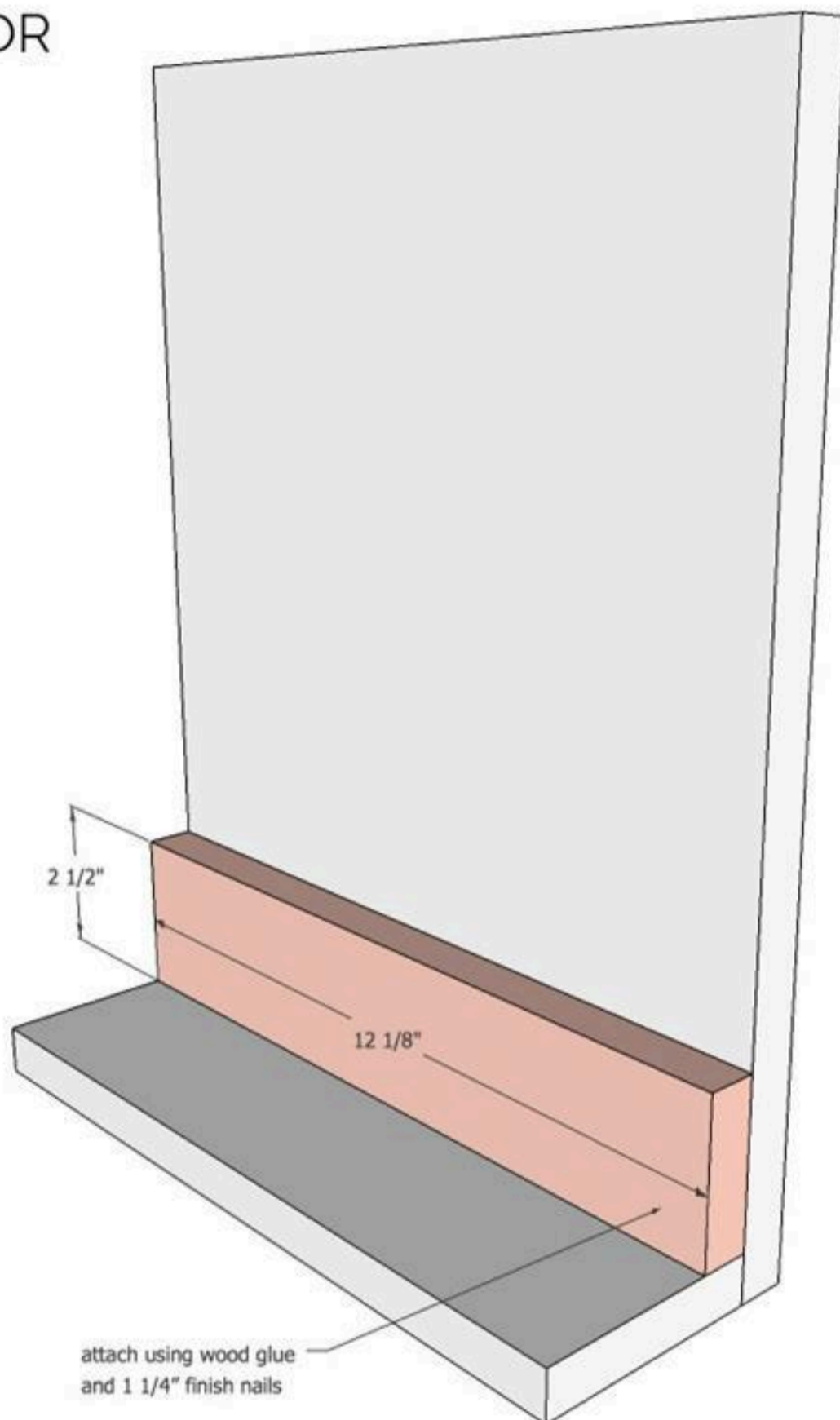
JAIMECOSTIGLIO.COM

3

Step 2

Step 2: Attach the frame bottom to the backing using wood glue and 1 1/4" finish nails.

STORAGE MIRROR STEP 2

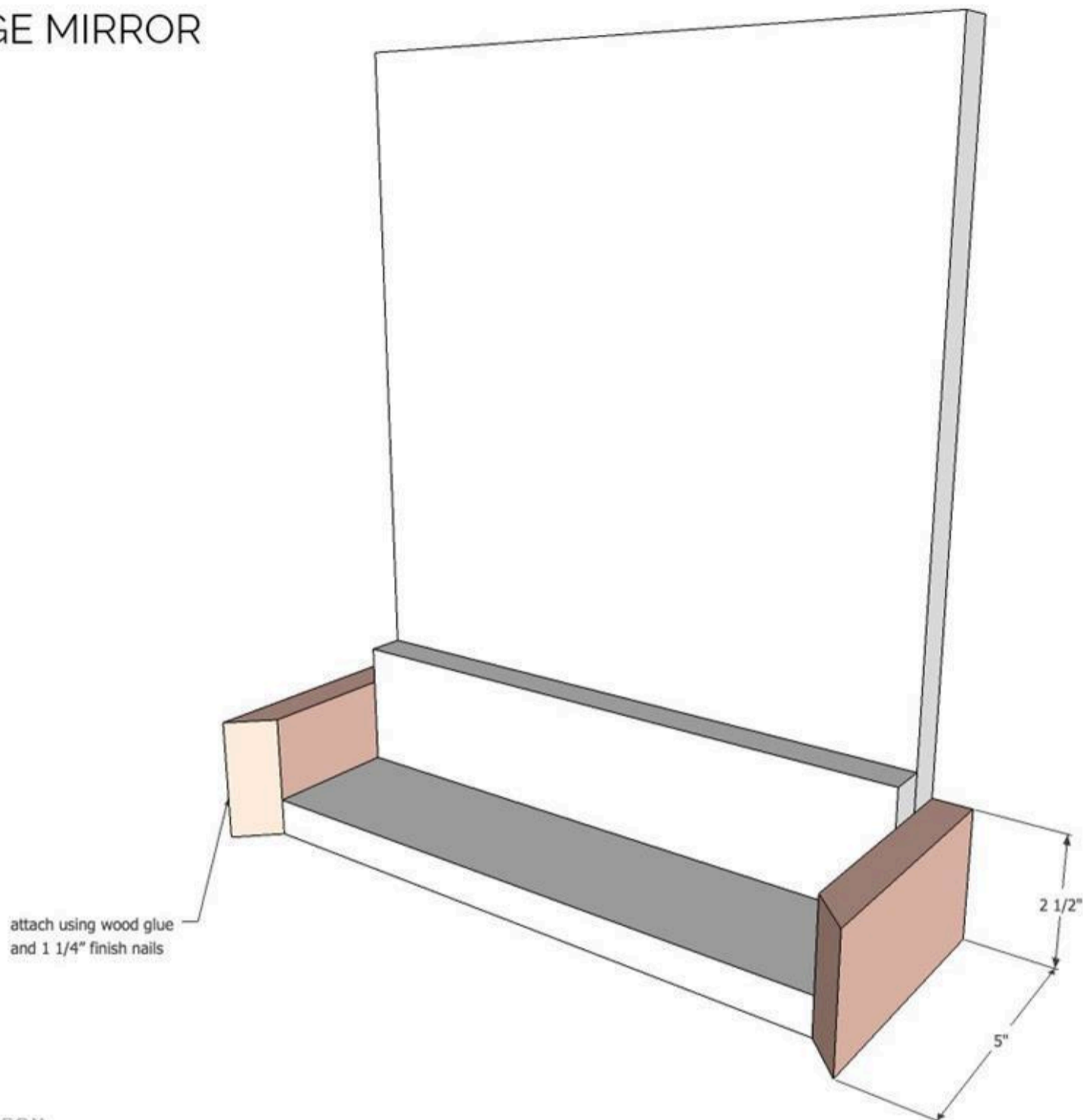


4

Step 3

Step 3: Attach the base sides to the base and backing using wood glue and 1 1/4" finish nails.

**STORAGE MIRROR
STEP 3**

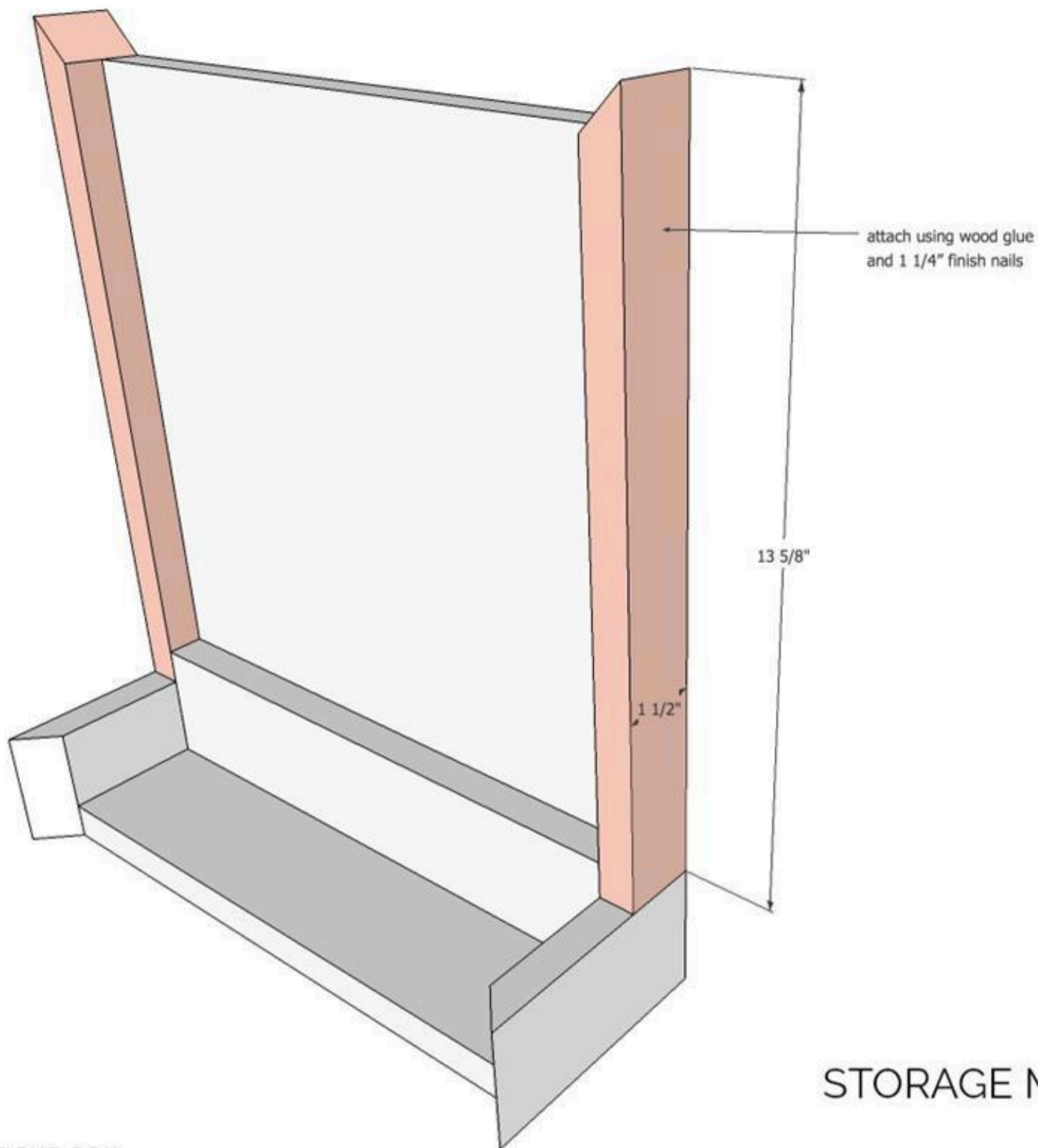


JAIMECOSTIGLIO.COM

5

Step 4

Step 4: Attach the frame sides to the backing wood glue and 1 1/4" finish nails.

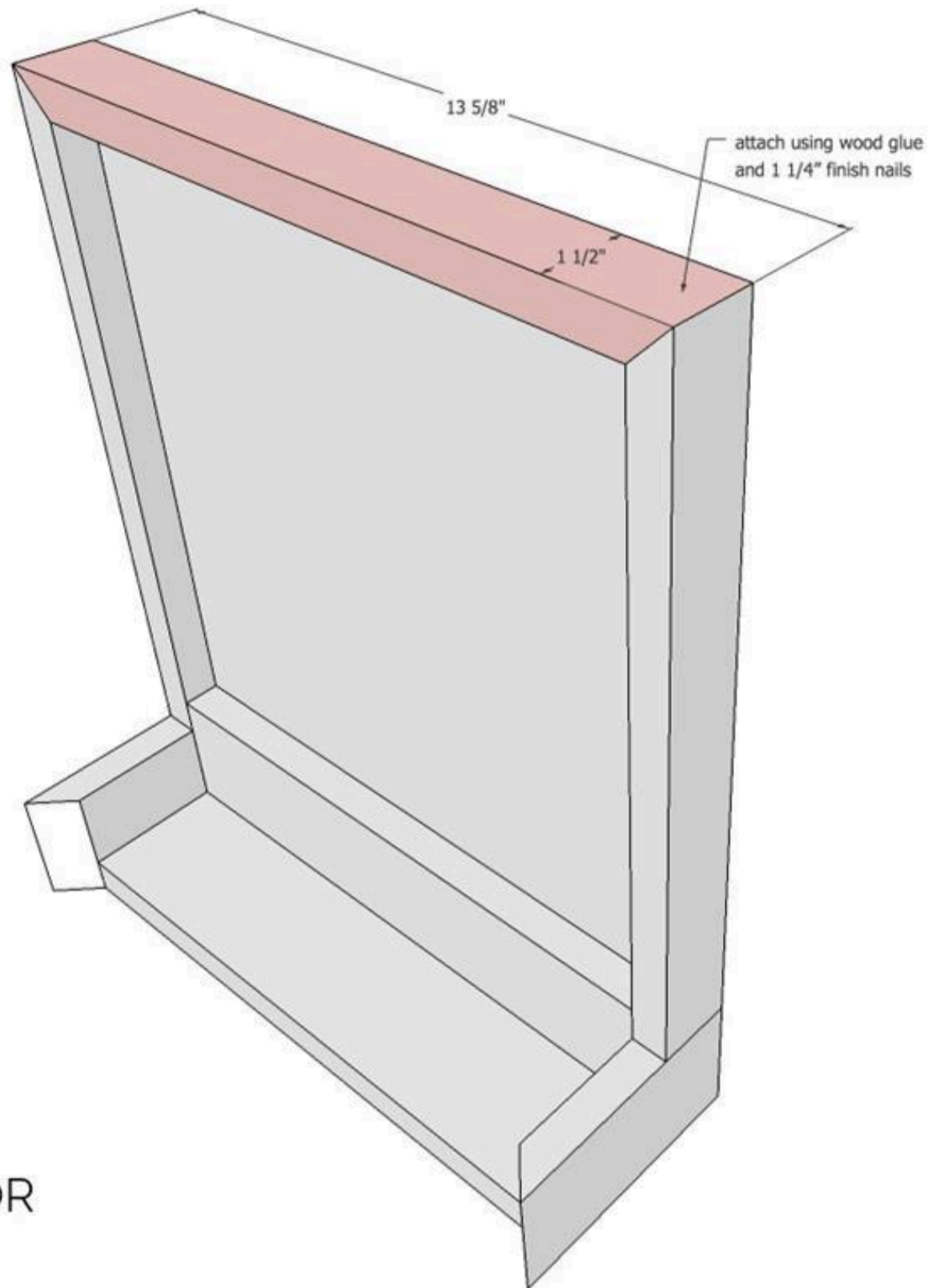


STORAGE MIRROR
STEP 4

6

Step 5

Step 5: Attach the frame top to the backing using wood glue and 1 1/4" finish nails.



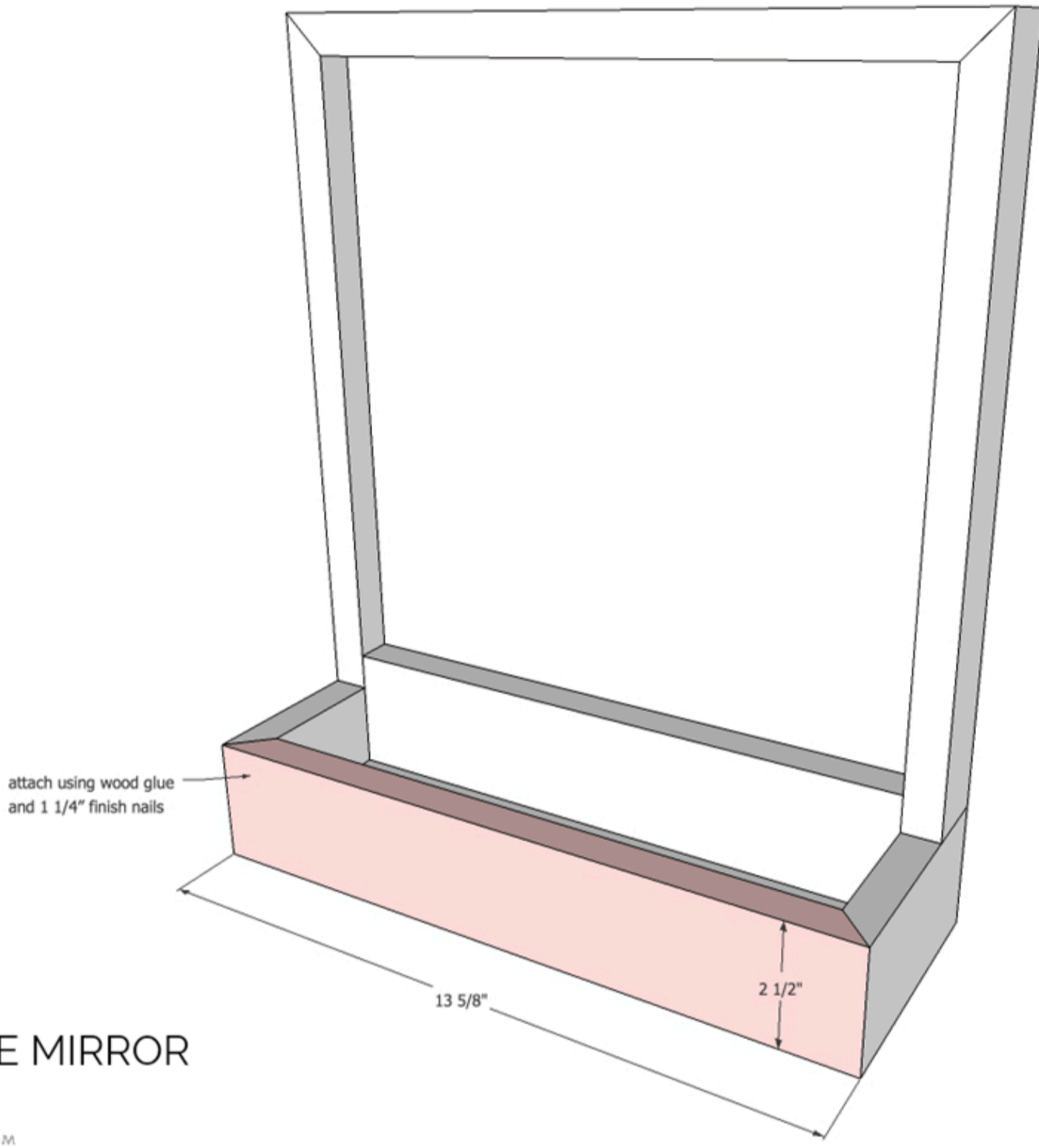
STORAGE MIRROR
STEP 5

JAIMECOSTIGLIO.COM

7

Step 6

Step 6: Attach the base front to the base and sides using wood glue and 1 1/4" finish nails.



**STORAGE MIRROR
STEP 6**

JAIMECOSTIGLIO.COM