

Cottage Style Bookshelf

By **Jaime Costiglio**

Difficulty
Moderate

A classic cottage style bookshelf complete with tongue and groove backing. I designed this simple bookshelf with clean, easy lines and a nod to the cottage aesthetic. It's plenty deep shelf space at over 12 inches can hold almost any size book. Tons of storage and two adjustable shelves.





Tools

Kreg Tools



Accu-Cut™



Kreg® Pocket-Hole Jig 720



Shelf Pin Jig with 1/4" Bit

Other Tools

Circular Saw (cordless)

Miter Saw

Table Saw

Tape Measure

Drill (cordless)

Sander

Materials

Wood Products

1 Plywood , 3/4" Thick , Full Sheet

1 Plywood , 3/4" Thick , Half Sheet

4 Board , 2x2 , 72"

1 Board , 1x2 , 96"

2 Board , 1x3 , 72"

6 Tongue & Groove , 1x6 , 96"

Hardware & Supplies

50 1 1/4" Pocket Hole Screws

4 2" Wood Screws

24 1 1/4" Wood Screws

Cut List & Parts

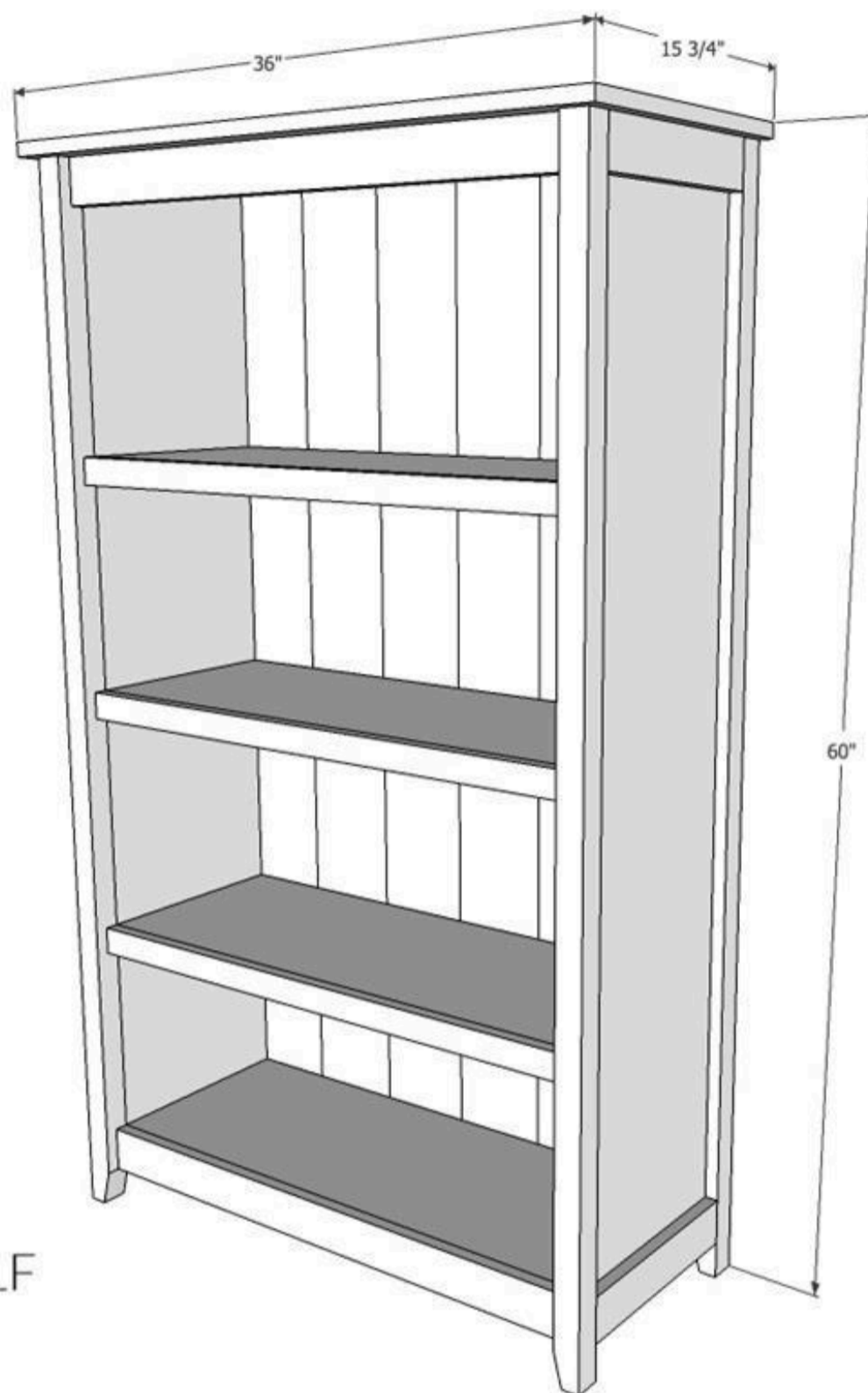
- 4 Legs , 2 X 2 @ 59 1/4"
- 4 Side Trim , 1 X 3 @ 12"
- 2 Side Panels , 3/4" X 12 X 56 1/2"
- 2 Shelves , 3/4" X 12 X 31 1/2"
- 1 Top (Carcass) , 3/4" X 12 X 33"
- 2 Shelf Trim , 1 X 3 @ 31 1/2"
- 1 Shelf Trim , 1 X 3 @ 31 1/2"
- 2 Shelves (Movable) , 3/4" X 12 X 31 1/4"
- 2 Shelf Trim (Movable) , 1 X 2 @ 31 1/4"
- 1 Top , 3/4" X 15 3/4" X 36"
- 6 Backing (Tongue & Groove) , 1 X 6 @ 57 1/4"

Directions

1

Dimensions

Overall dimensions: 60"h x 36"w x 15 3/4"d



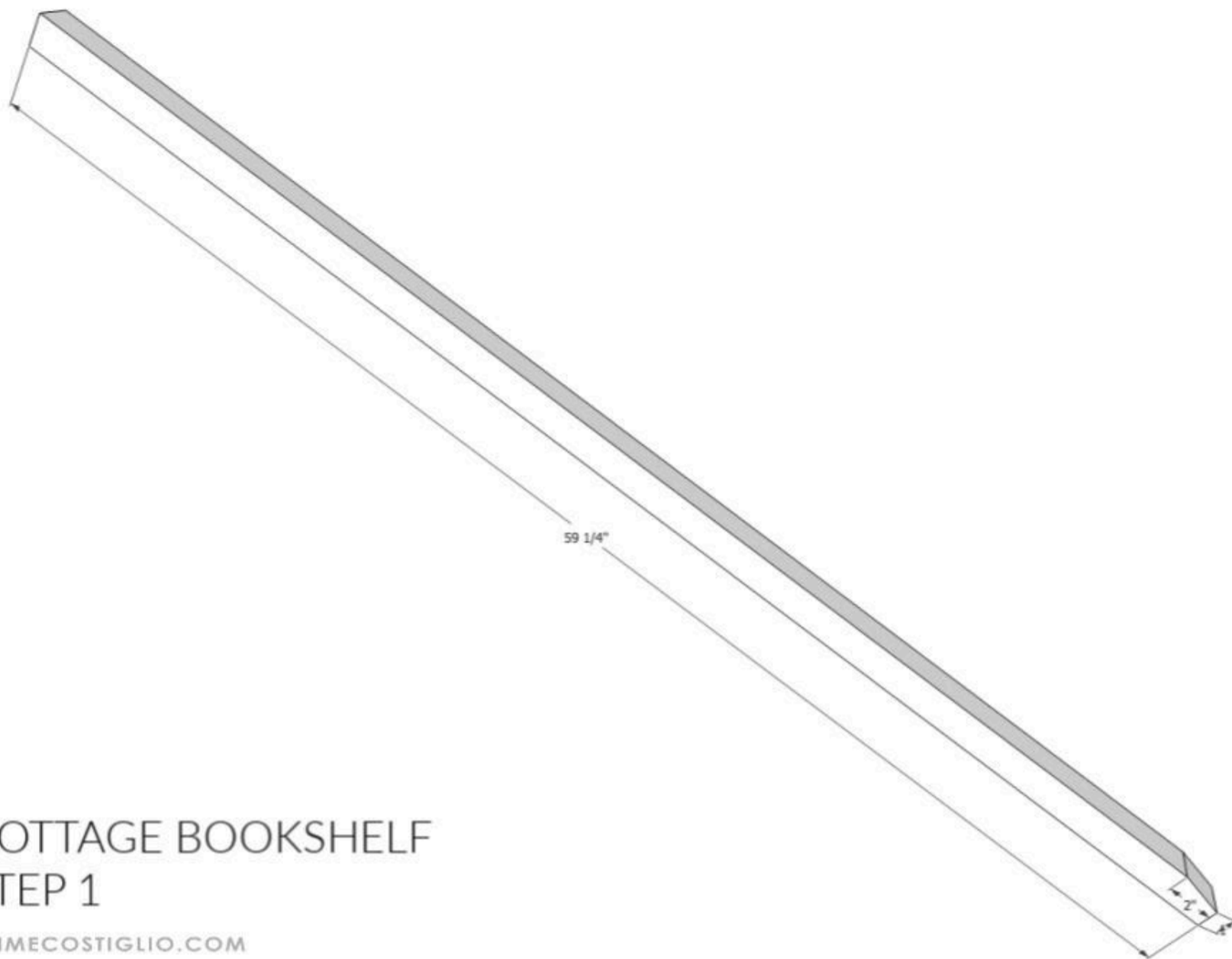
COTTAGE BOOKSHELF
DIMENSIONS

JAIMECOSTIGLIO.COM

2

Step 1

Create the tapered end on each leg using a jigsaw or table saw.



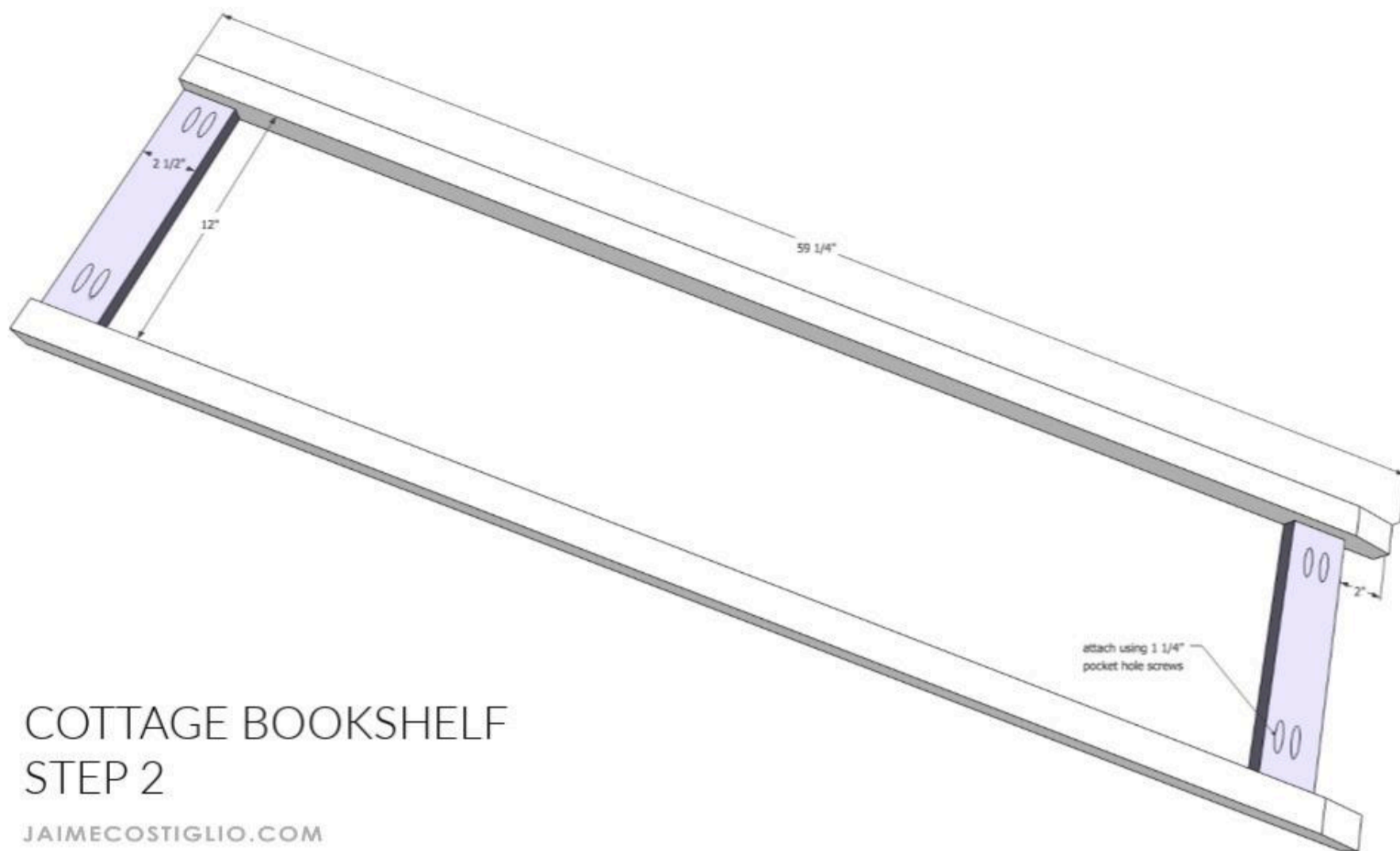
COTTAGE BOOKSHELF
STEP 1

JAIMECOSTIGLIO.COM

3

Step 2

Attach the side panel cross supports using pocket holes and 1 1/4" pocket hole screws. Make 2.



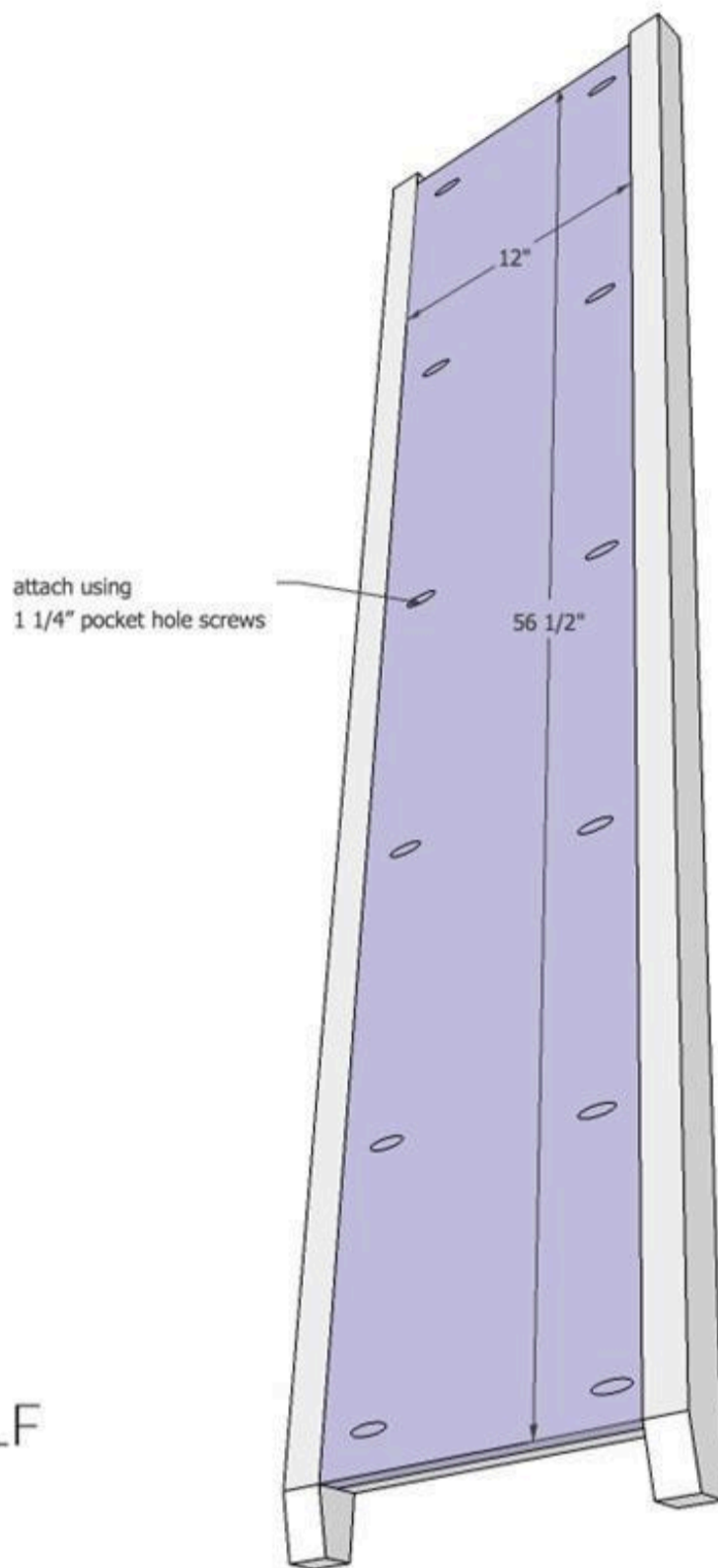
COTTAGE BOOKSHELF
STEP 2

JAIMECOSTIGLIO.COM

4

Step 3

Attach the side panel into the frame using 1 1/4" pocket hole screws. Make 2.



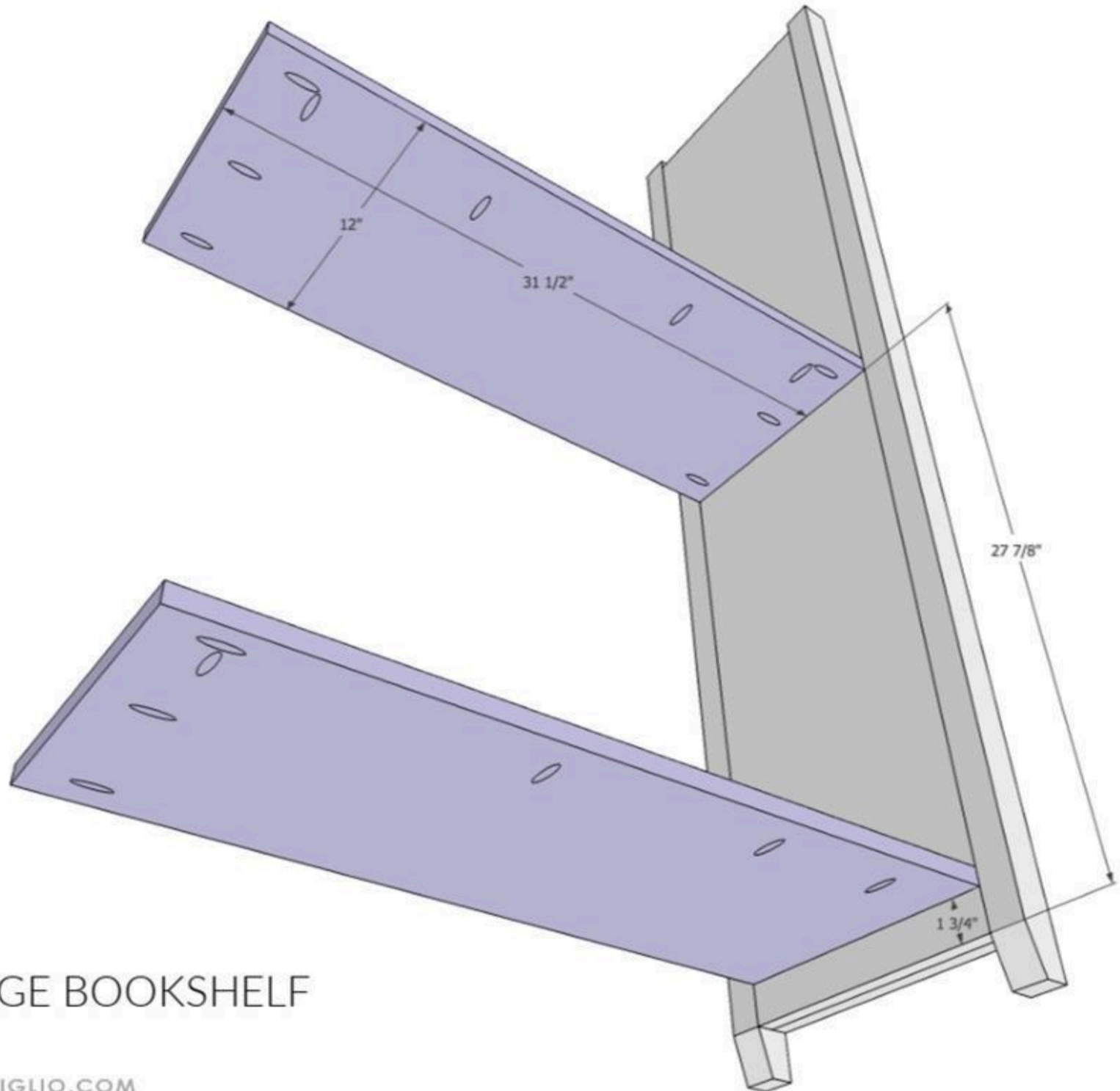
COTTAGE BOOKSHELF
STEP 3

JAIMECOSTIGLIO.COM

5

Step 4

Attach fixed shelves to side panel using 1 1/4" pocket hole screws.



COTTAGE BOOKSHELF
STEP 4

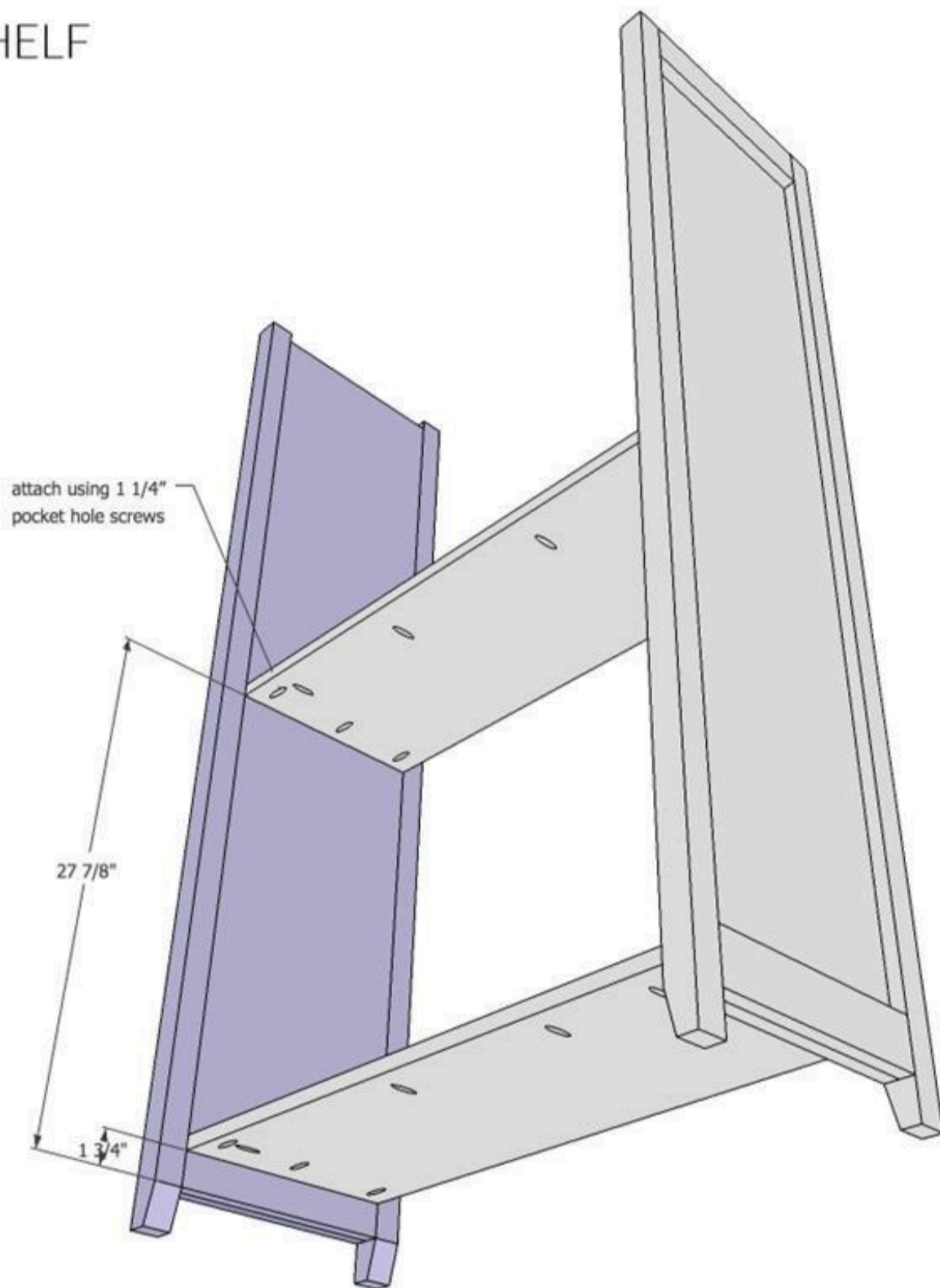
JAIMECOSTIGLIO.COM

6

Step 5

Attach second side panel to other end of fixed shelves using 1 1/4" pocket hole screws.

COTTAGE BOOKSHELF STEP 5

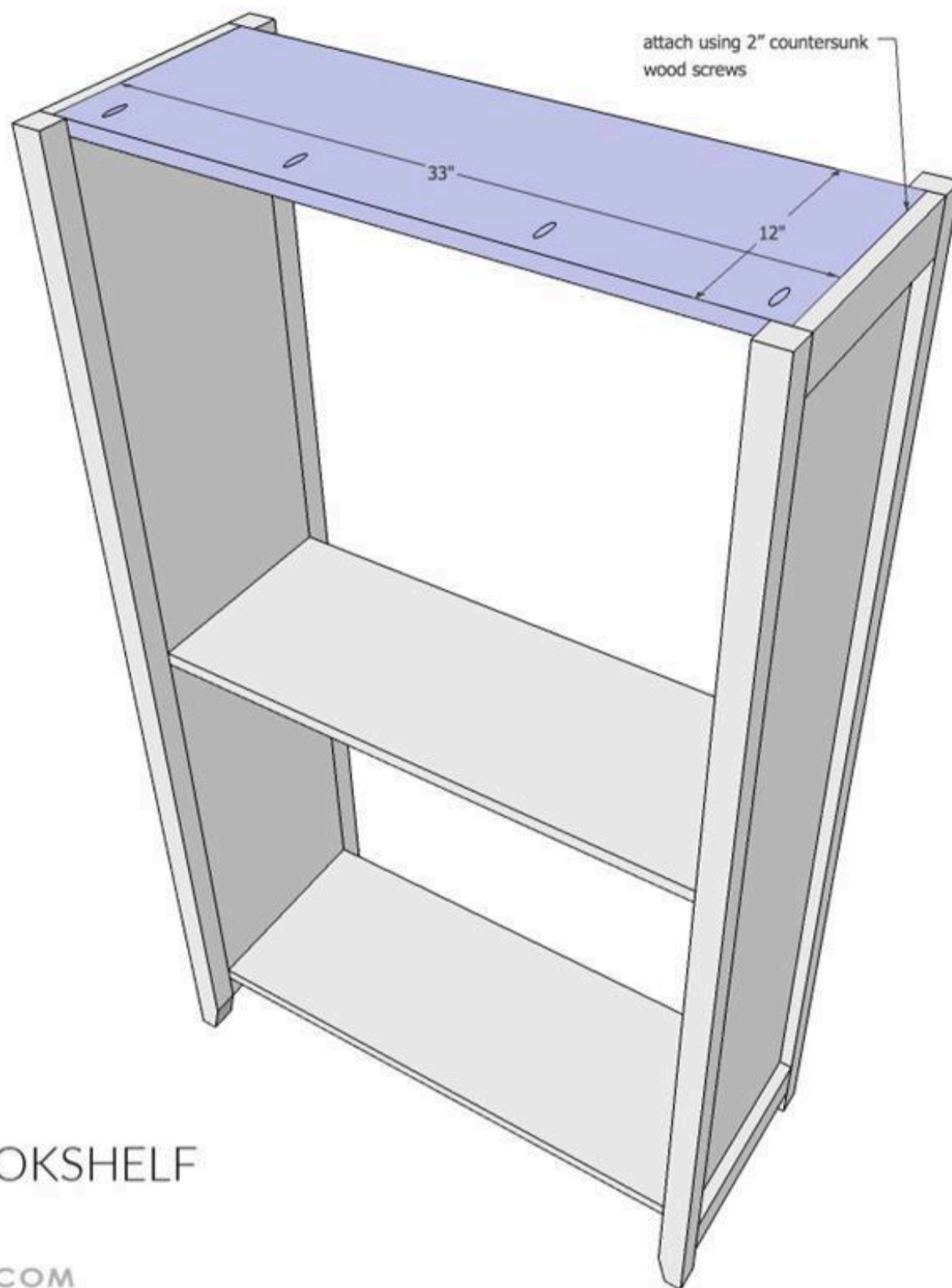


JAIMECOSTIGLIO.COM

7

Step 6

Attach carcass top to side panels using countersunk 2" wood screws.



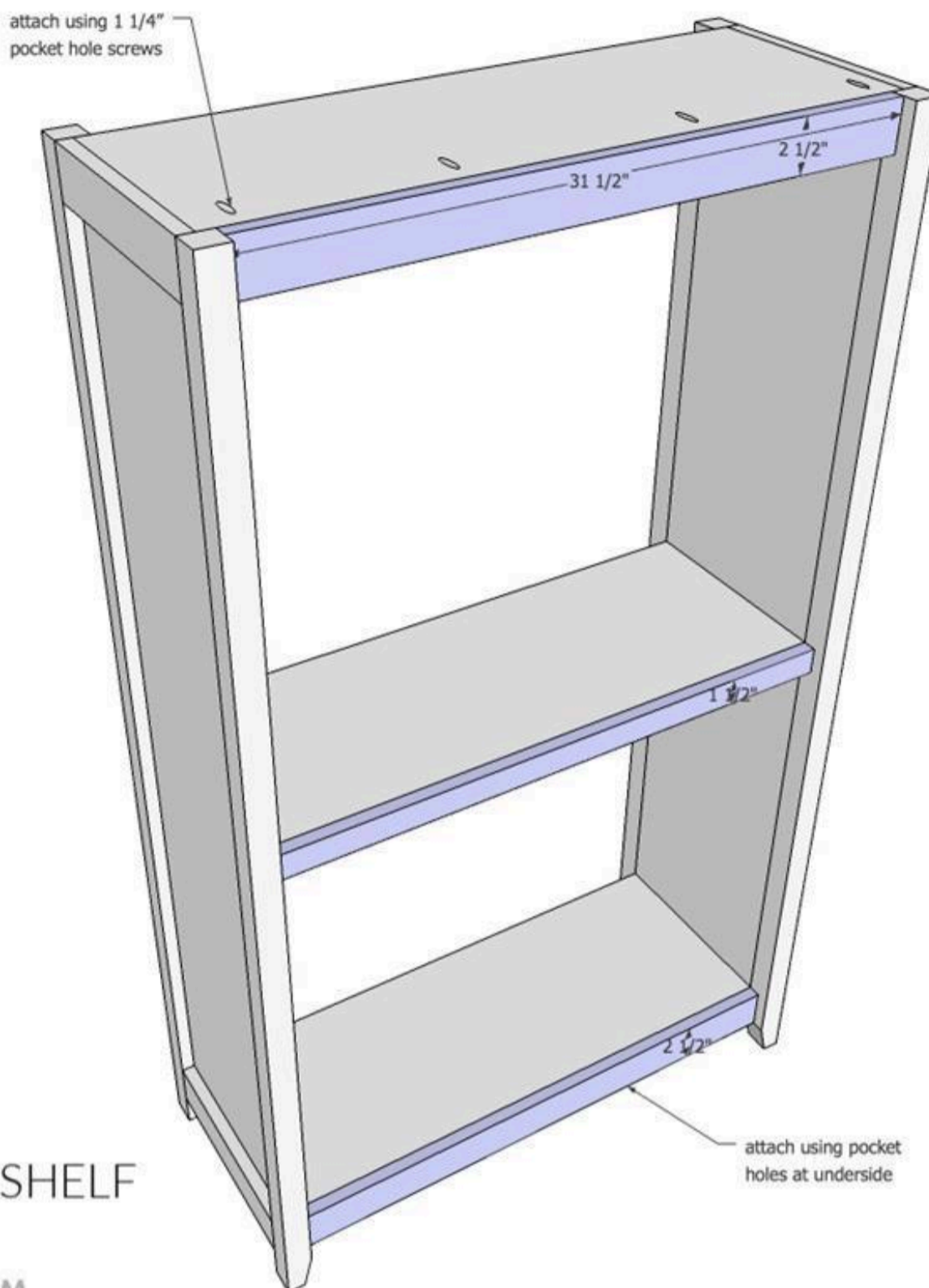
COTTAGE BOOKSHELF
STEP 6

JAIMECOSTIGLIO.COM

8

Step 7

Attach front trim to shelves using 1 1/4" pocket hole screws.

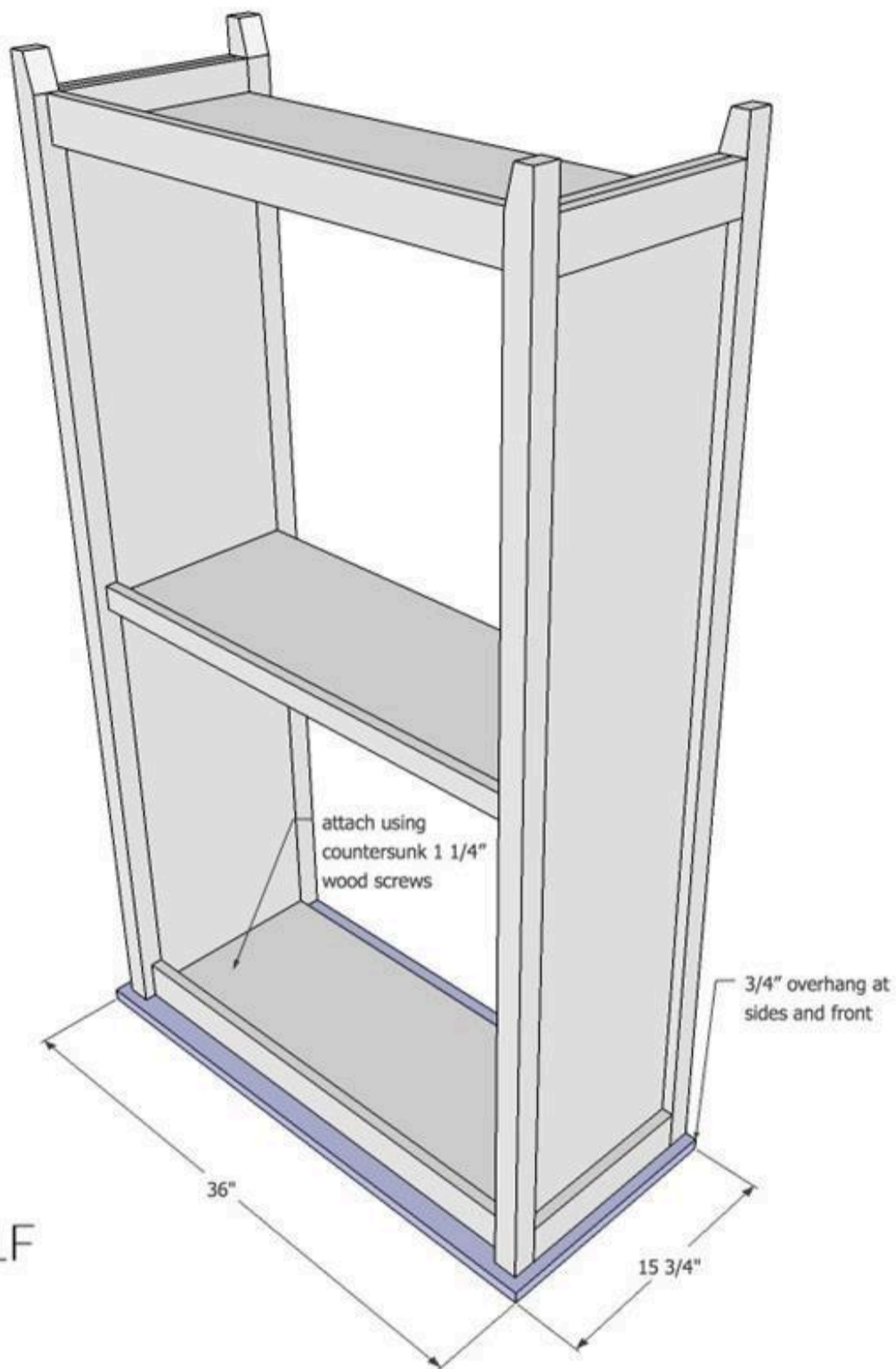


COTTAGE BOOKSHELF
STEP 7
JAIMECOSTIGLIO.COM

9

Step 8

Attach top to carcass using countersunk 1 1/4" wood screws.



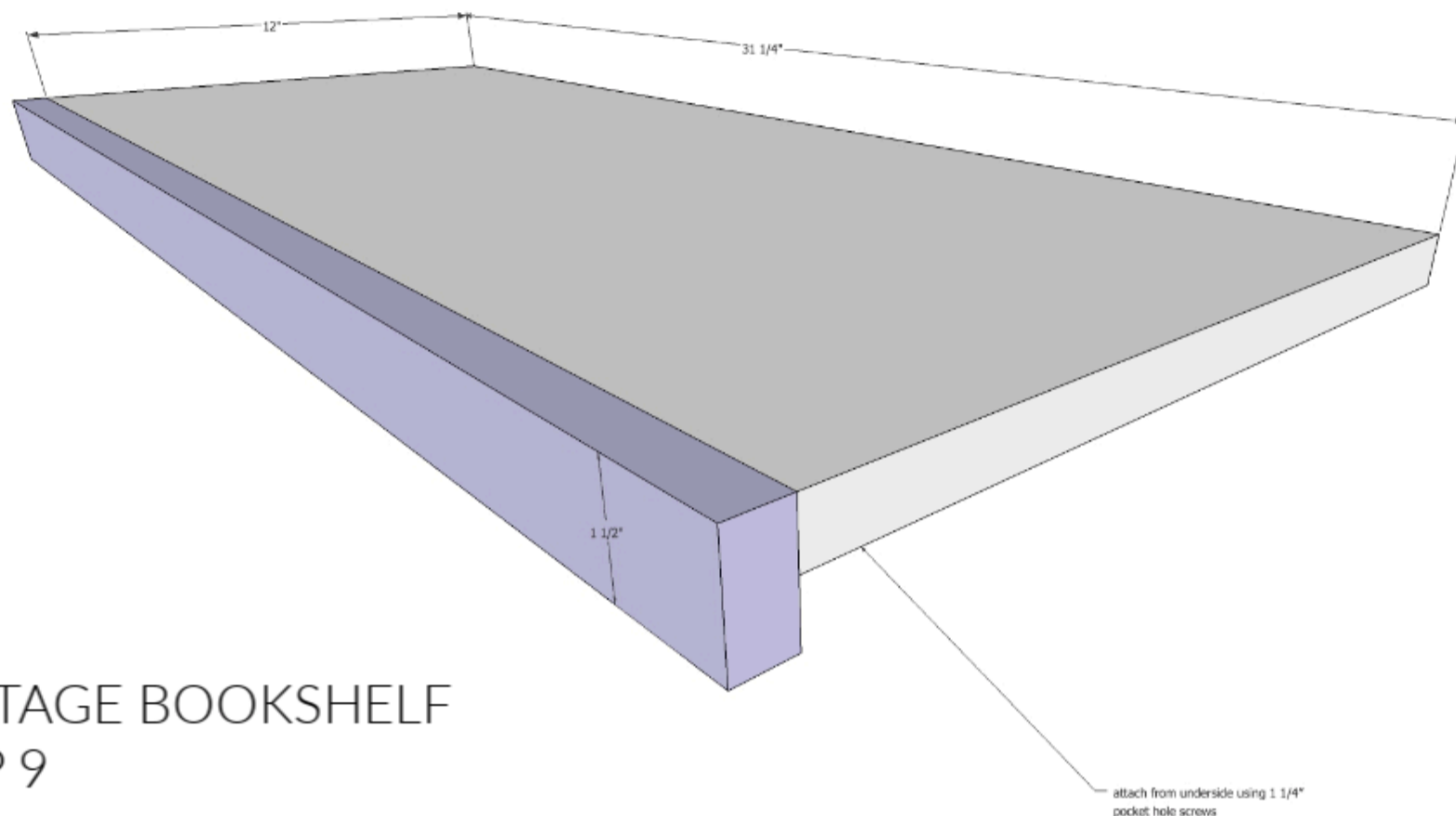
COTTAGE BOOKSHELF
STEP 8

JAIMECOSTIGLIO.COM

10

Step 9

Make two movable shelves. Attach front trim to shelf using 1 1/4" pocket hole screws.



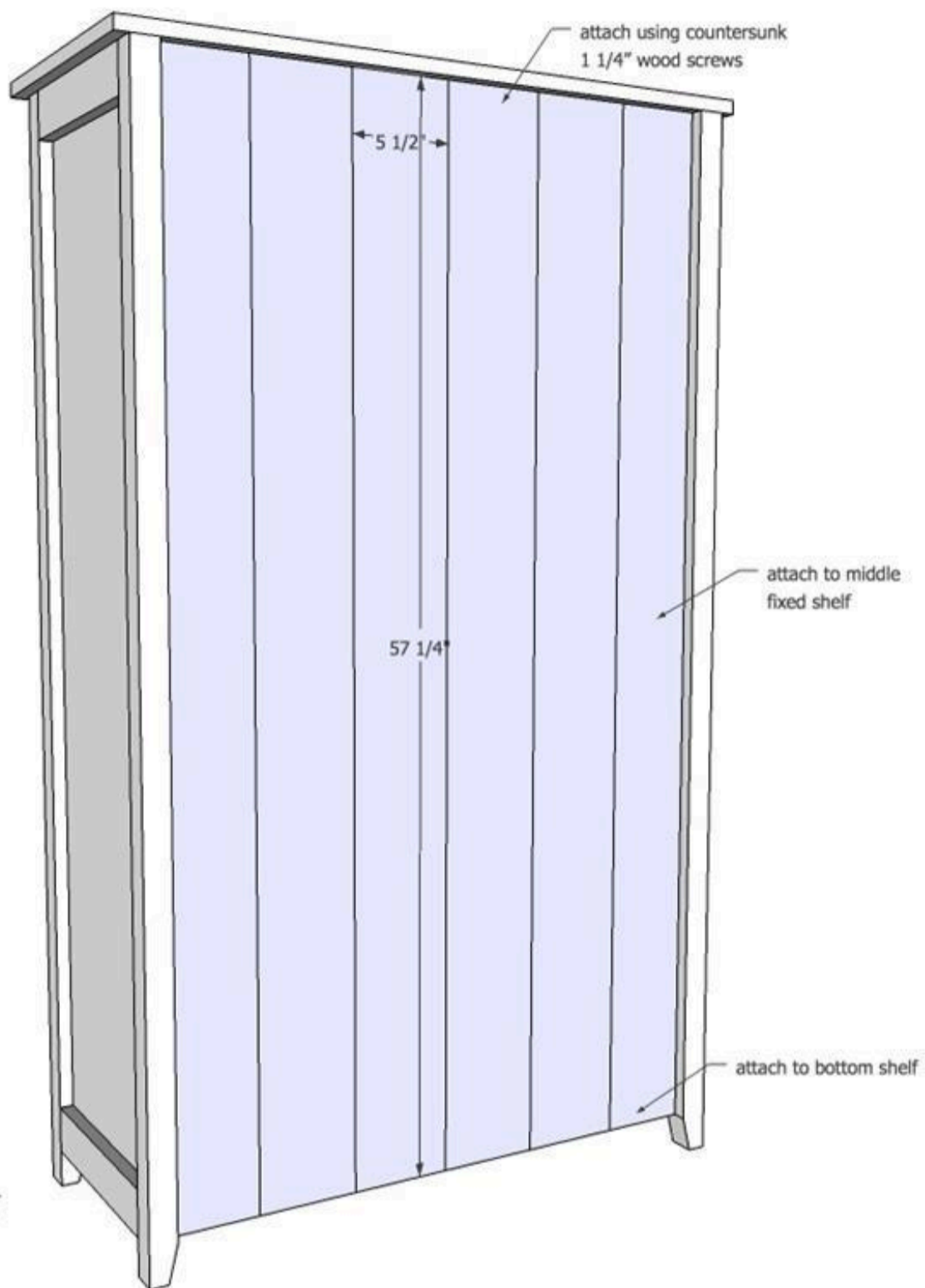
COTTAGE BOOKSHELF
STEP 9

JAIMECOSTIGLIO.COM

11

Step 10

Attach tongue and groove backing to carcass using countersunk 1 1/4" wood screws.



COTTAGE BOOKSHELF
STEP 10