

Easy Modern Outdoor Sofa

By **Home Made by Carmona**

Difficulty

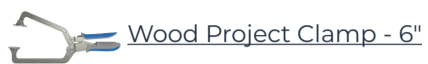
Moderate

Build your own DIY outdoor furniture at a fraction of the cost to purchase it new! This modern styled outdoor sofa is the average 72 couch size, can be left in the outdoors, and will make your outdoor living space great for entertaining...not to mention stunning!



Tools

Kreg Tools



Other Tools

Square

Table Saw

Tape Measure

Drill (cordless)

Nail Gun

Sander

Materials

Wood Products

4 Board , 2x4 , 96"

2 Board , 2x6 , 96"

4 Board , 1x6 , 96"

3 Board , 1x8 , 96"

Hardware & Supplies

40 2" Kreg Outdoor Pocket Hole Screws

1 Wood Glue

Cut List & Parts

- 7** 3 Seat Frame Boards & 4 Armrest Boards , 1 1/2" X 4" X 22.5"
- 2** Seating Frame , 1 1/2" X 6" X 72"
- 2** Seating Frame, Cont. , 1 1/2" X 6" X 22.5"
- 4** Armrest , 1 1/2" X 4" X 32"
- 1** Backrest , 1 1/2" X 4" X 72"
- 6** Decorative Slats (Armrest) , 3/4" X 8" X 25.5"
- 1** Decorative Slats (Backrest) , 3/4" X 8" X 79"

Directions

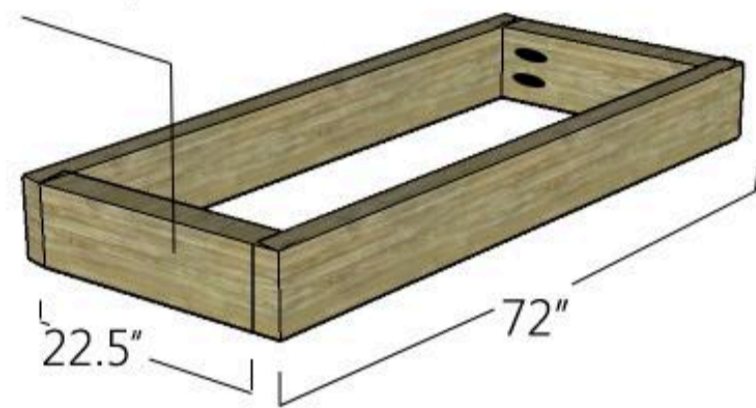
1

Build Seat Frame

After making all your initial cuts, start by framing out your seat base. Using a Kreg Jig place pocket holes in either side of two 1 1/2" x 6" x 22.5" seat frame pieces, and attach to inside of the 1 1/2" x 6" x 72" seat frame pieces. Use a little wood glue when attaching all pieces moving forward, and a carpenter square to ensure all joining pieces are square.



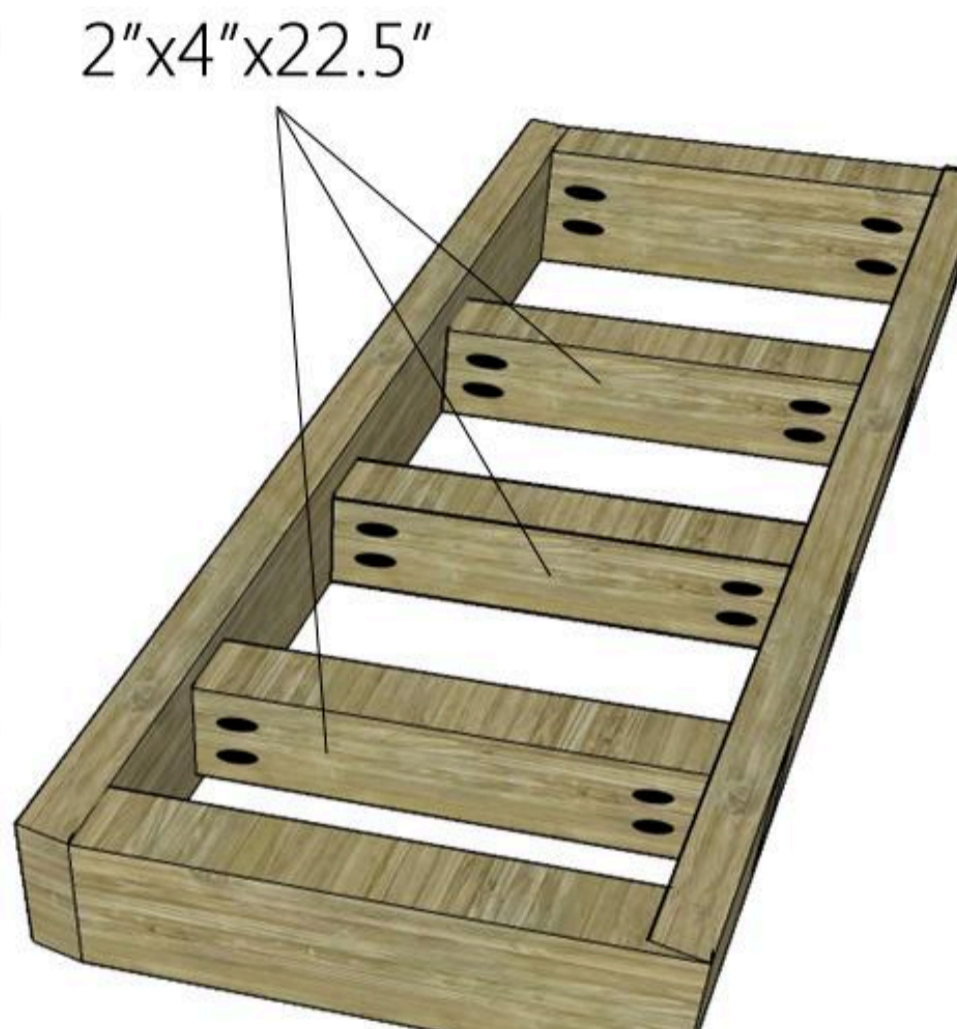
Pocket holes in
the two 22.5"
end pieces.



2

Complete The Frame

Add pocket holes on either side of three of your 1 1/2" x 4" x 22.5" boards. Attach them within the frame, spaced evenly apart. Attach each one flush with the top of the frame. This is your seat base where the slats will lay across later.

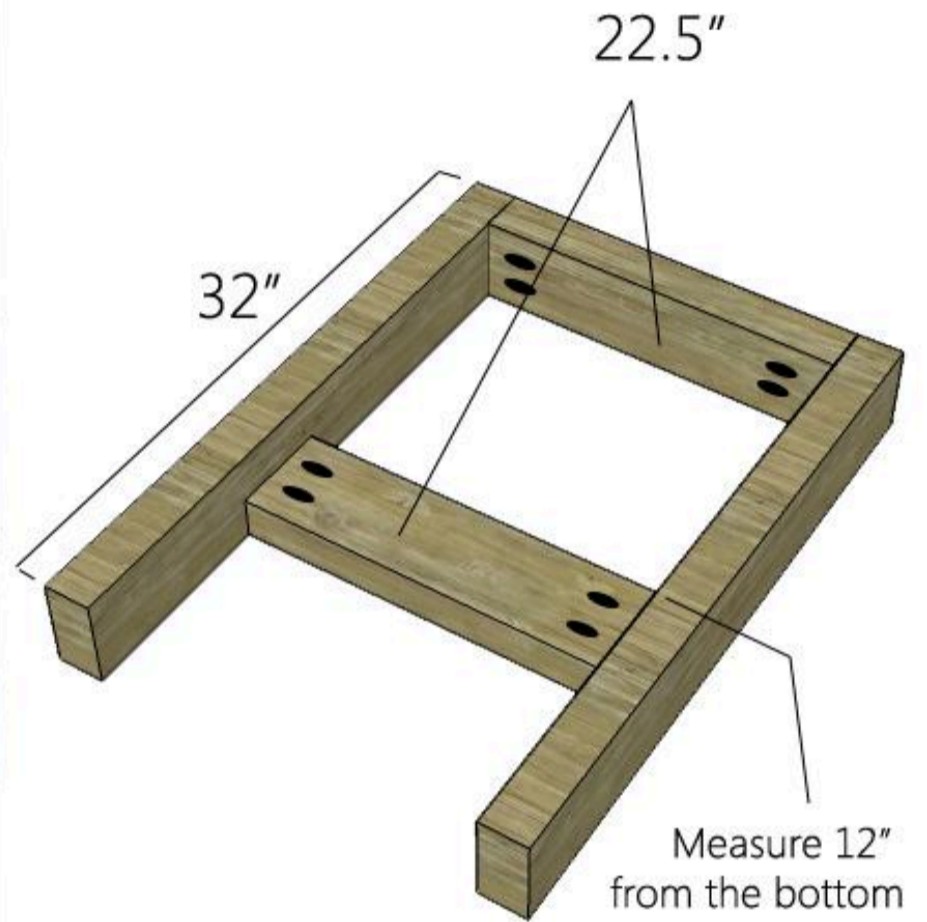


3

Assemble Armrest Frame

Place pocket holes at both ends of four 1 1/2" x 4" x 22.5" boards. Screw one 22.5" armrest boards between the two 1 1/2" x 4" x 32" armrest boards, flush to the top. Mark 12" from the bottom of either arm/leg piece, then attach the second 22.5" board flipped on it's side, with the top at that 12" mark.

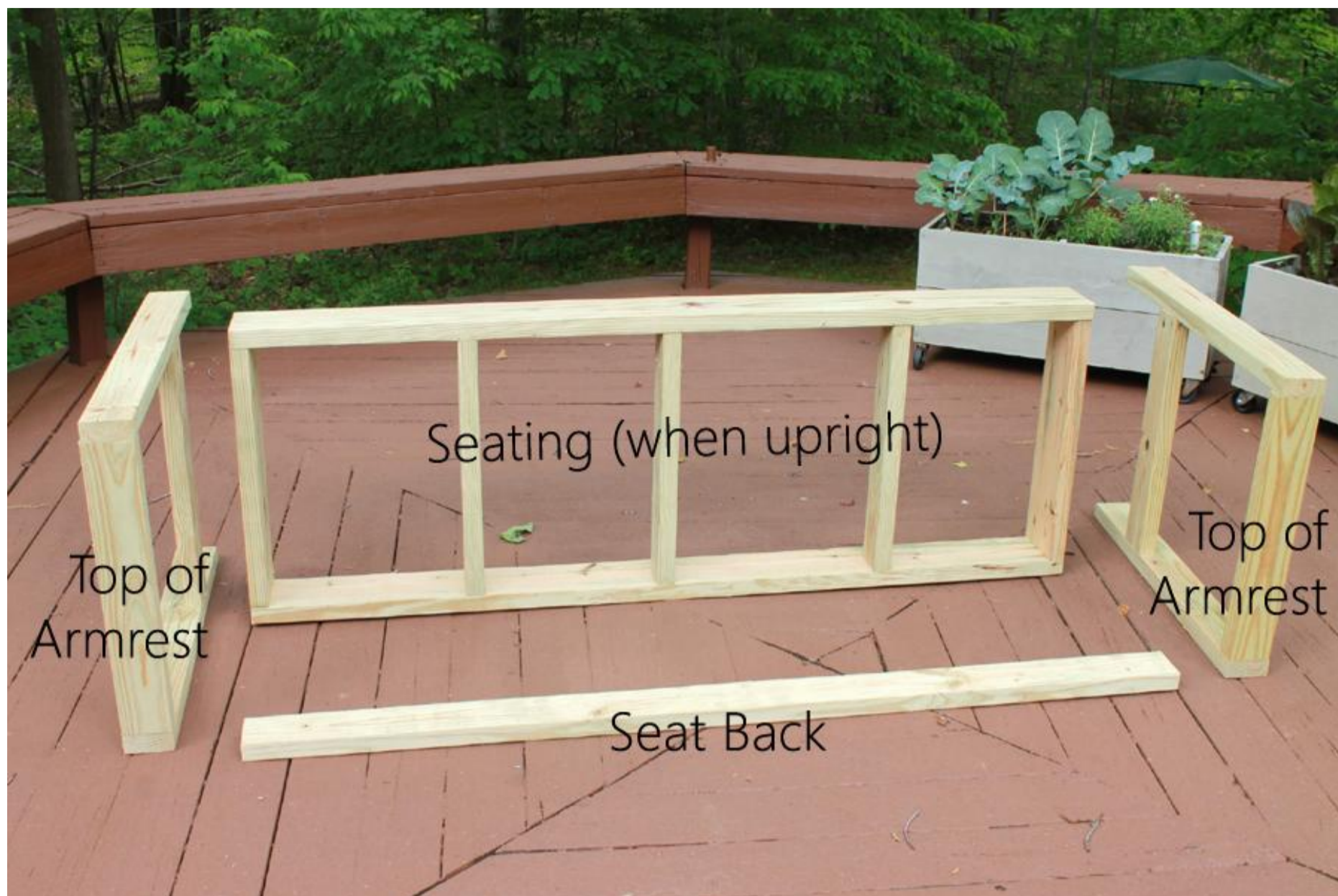
Follow these steps again to create the second armrest.



4

Prepare To Assemble

Put pocket holes in either end of the 1 1/2" x 4" x 72" backrest board. Then position the seat frame, armrest frames, and backrest to prepare for assembly. Place pieces so the sofa is oriented on it's side for easier assembly.



5

Attach Armrest To Seat Frame

Attach the armrests to the seat frame while on it's side. Screw directly through the armrest frame into the seat frame, and do the same from the seat frame side into the armrest. Stagger where you place your screws.

Set your seat upright.



6

Attach Backrest

Once upright, attach the 72" backrest piece (pocket holes facing back) flush between the two armrests.



7

Add Seat Slats

Evenly space the four 3/4" x 6" x 72" wooden seat slats atop your seat frame, and nail down to the seating frame.



8

Optionally Add Decorative Slats

Optionally nail evenly spaced 3/4" x 8" x 25.5" decorative slats to the outside armrest, and the single 3/4" x 8" x 79" slat across the inside back. These are not necessary for support, but give a modern appeal to the bench.

Sand the entire bench well, and stain!



9**Cut List & Wood Selection**

Select treated lumber so your sofa bench can stay in the outdoors year round. Pre-cut all your boards, or have them cut for you at the hardware store to save time. It is important to consider whether you have a saw that can handle 2"x 6" and 2" x 8" boards...if not you will want to have them cut at the hardware store.

The armrest and backrest is built solely from 2"x4" wood, while the seat is framed out with 2"x6" wood but I will reference the actual rather than nominal sizes moving forward.

