

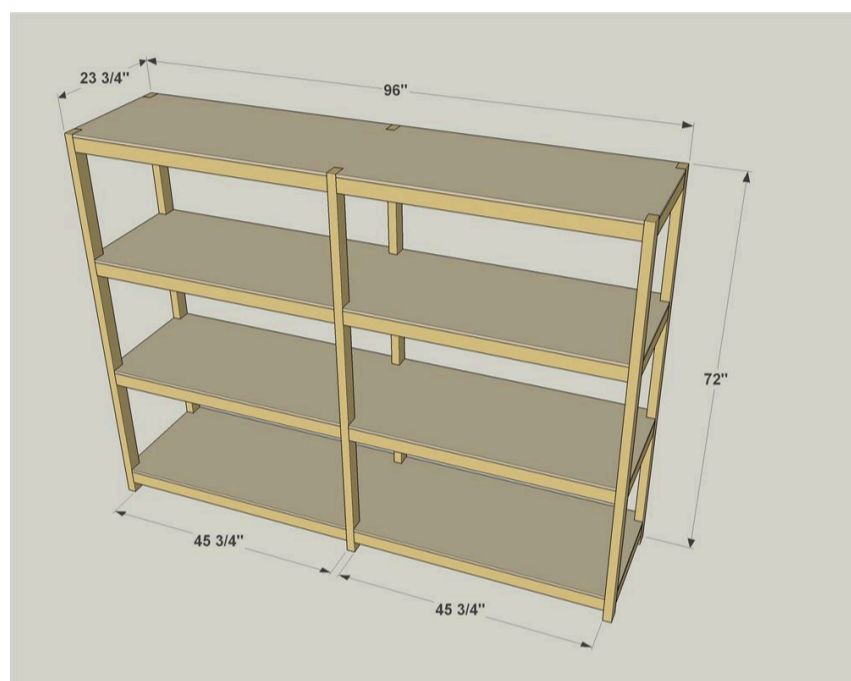
Garage Storage Shelves

By **Dave Stone**

Difficulty

Moderate

I built these shelves to create some heavy-duty storage in my garage. they're super easy to build--just some 2x3 boards, plywood, and a Kreg Jig. They offer lots of space and they're super strong. Enjoy!



Tools

Kreg Tools

Other Tools

Circular Saw (corded)

Jigsaw

Miter Saw

Square

Tape Measure

Clamps

Drill (cordless)

Materials

Wood Products

16 Board , 2x3 , 96"

2 Plywood , 1/2" Thick , Full Sheet

Hardware & Supplies

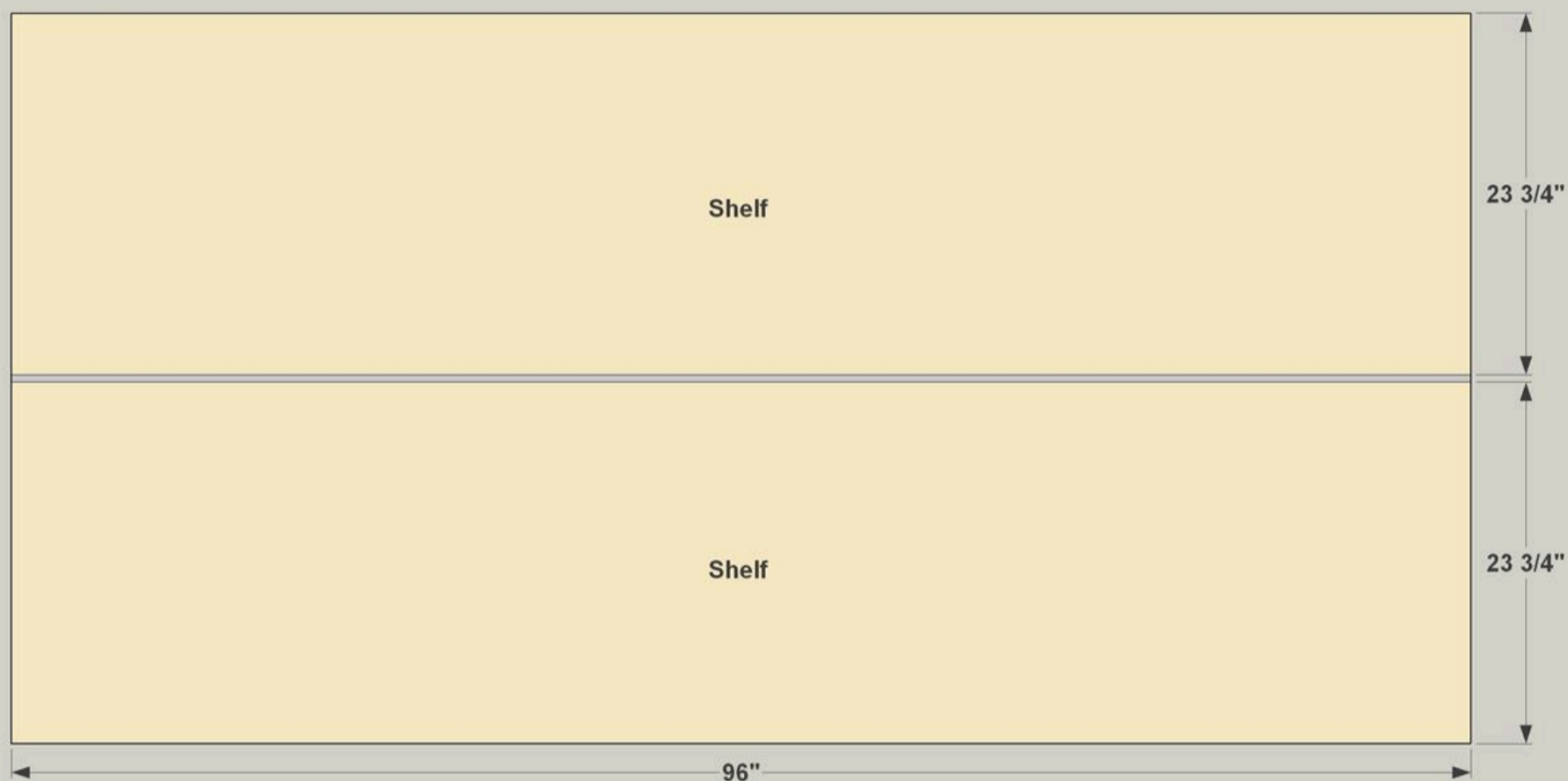
120 2 1/2" Coarse Thread Pocket Screws

28 1" Coarse Thread Pocket Hole Screws

Cut List & Parts

- 6** Legs, 1 1/2" X 2 1/2" X 72"
- 12** Short Rails, 1 1/2" X 2 1/2" X 18 3/4"
- 16** Long Rails, 1 1/2" X 2 1/2" X 45 3/4"
- 4** Shelves, 1/2" Plywood X 23 3/4" X 96"

(2) 1/2" plywood, 48 x 96



(6) 2 x 3 x 96



(1) 2 x 3 x 96



(1) 2 x 3 x 96



(8) 2 x 3 x 96

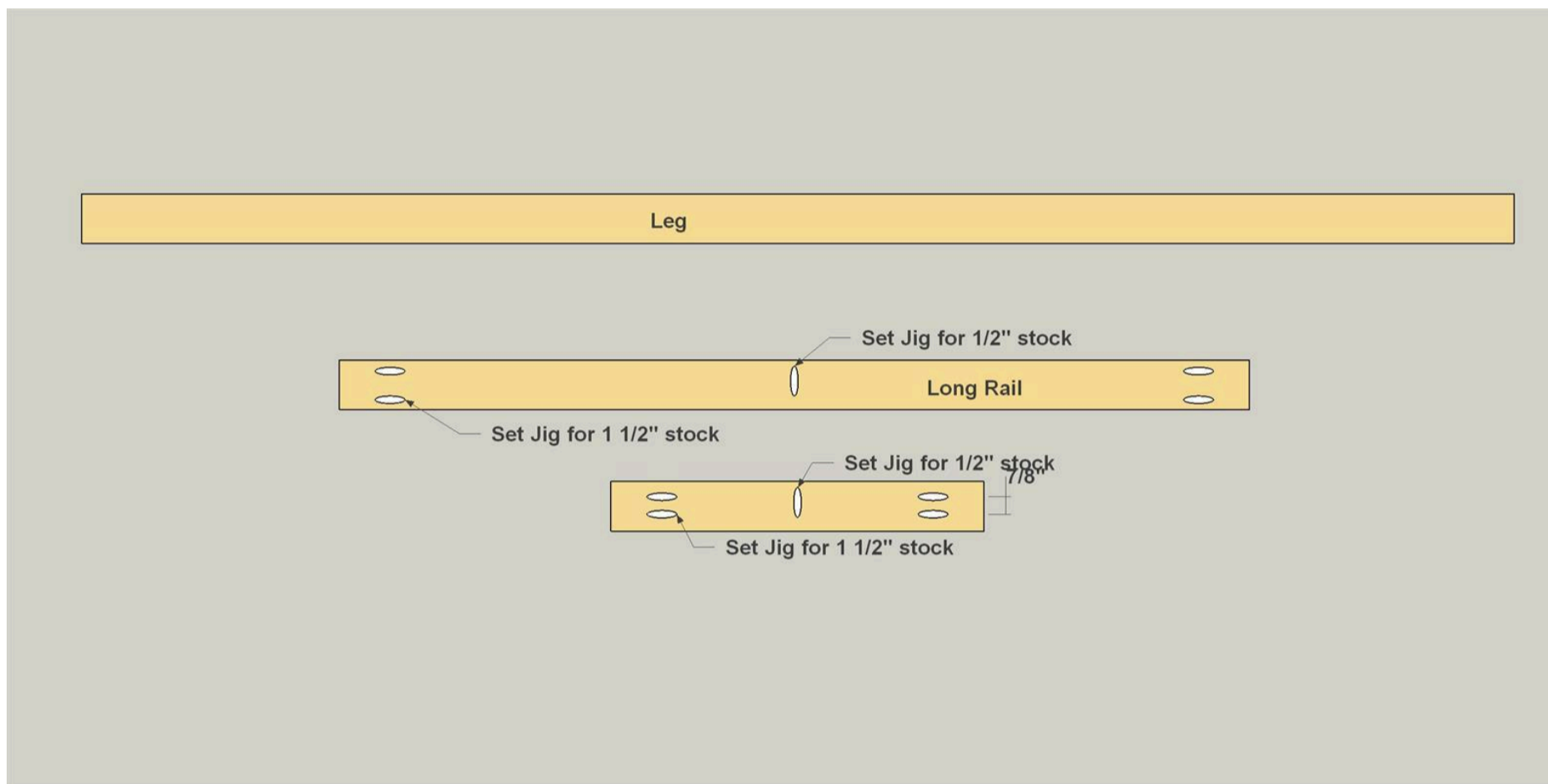


Directions

1

Cut the Legs and Rails

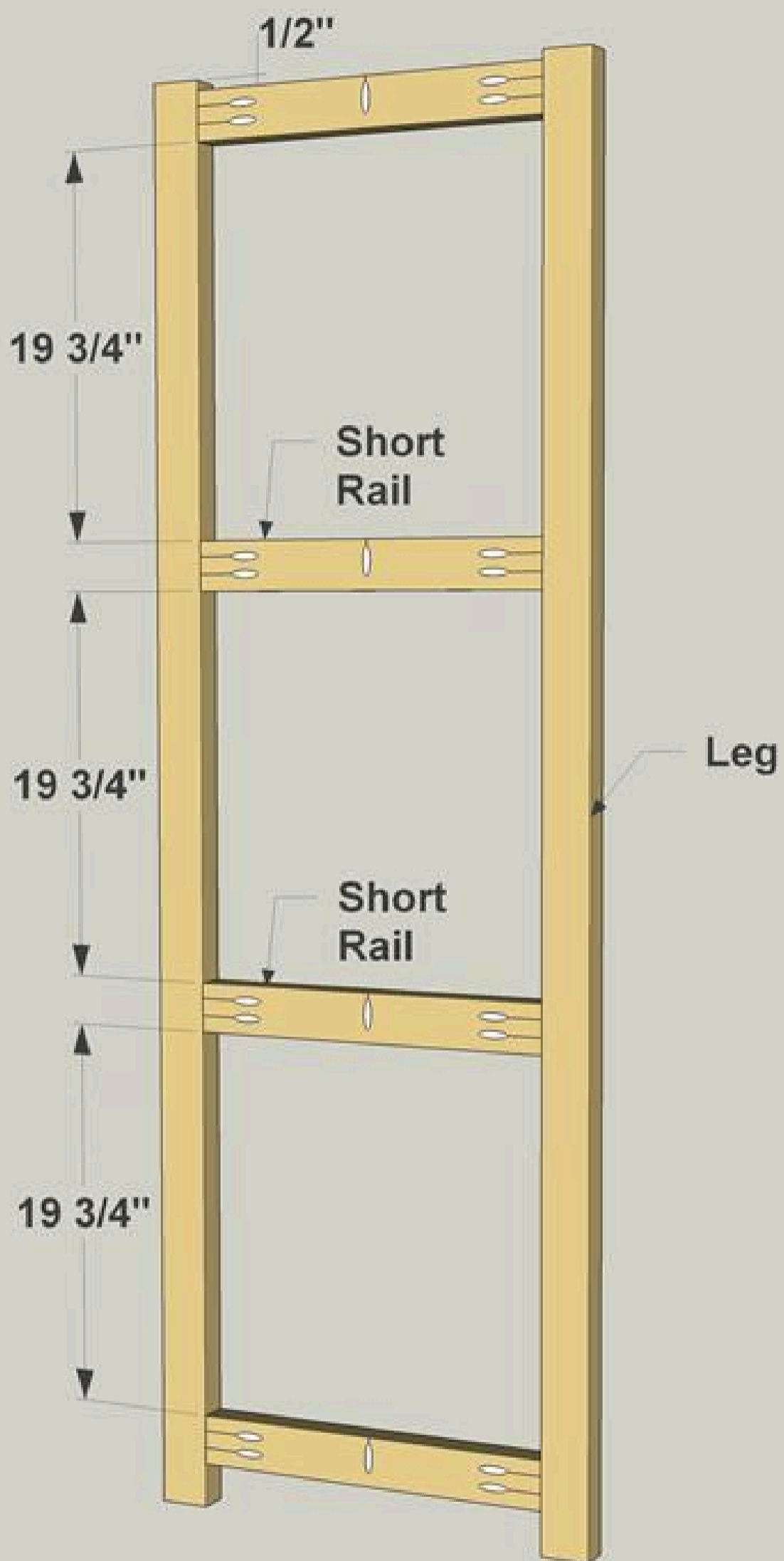
Cut 6 legs, the 12 short rails, and 16 long rails to length. The cut diagram shows how. You can just get out your miter saw and start chopping. Just make sure everything is measured carefully so they all come out the same length. Then you can drill all the pocket holes. Notice that the holes on the ends are done with the jig set for 1 1/2" thick boards. For the holes on the edge, change the setup to 1/2" stock to drill holes that you'll use to attach the shelves that are made from 1/2" thick plywood.



2

Assemble the Short Rails & Legs

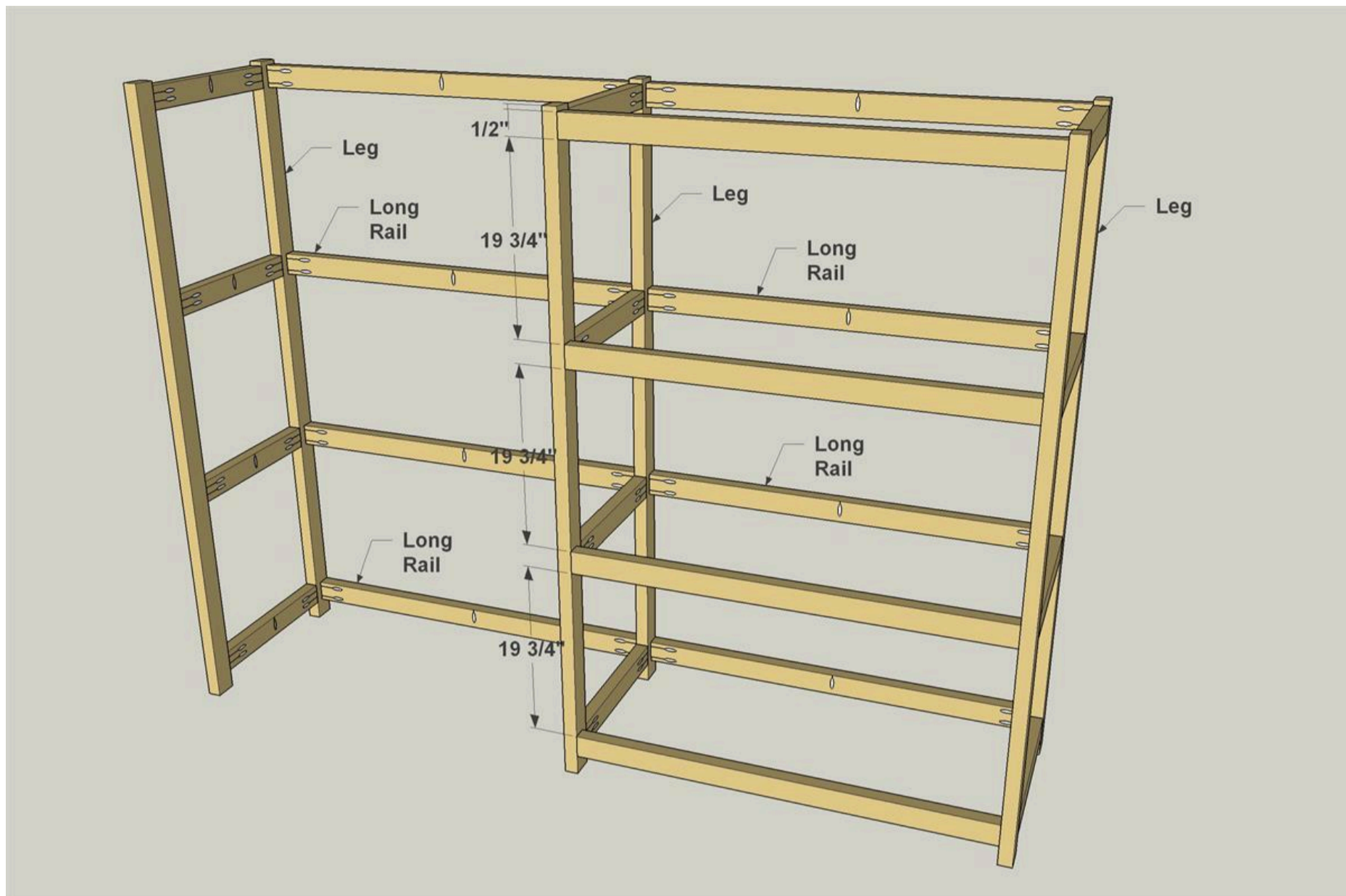
Now you can make three assemblies by attaching the short rails to the legs. You'll need 2 1/2" pocket screws for this.



3

Add the Long Rails

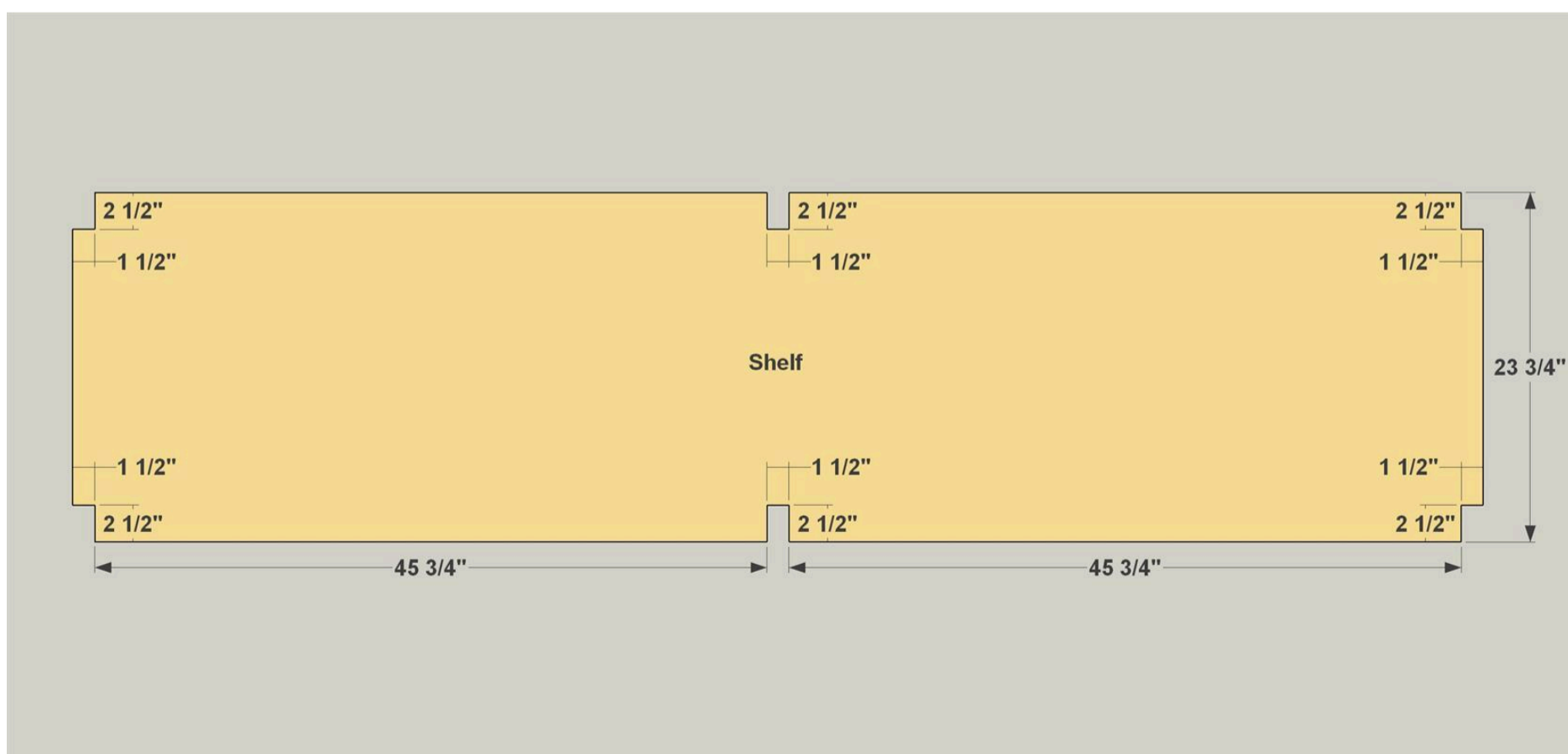
Now you can add the long rails. Make sure you're working on a flat surface, and take care to line up the long rails with the short rails. That way everything will come out square and straight.



4

Make the Shelves

The shelves come next. All you have to do is rip them from the plywood sheets. Then lay out the notches that fit around the legs, and cut them with a jigsaw.



5

Attach the Shelves

All that's left now is to attach the shelves. Just drop each one in place, and then drive 1" pocket screws through the holes in the rails and into the underside of each shelf.



6

Put the Shelves In Place

You may want someone to help you move the shelves into position. And you may find that your garage floor isn't level. Just put a level on one of the shelves to check, and then use some shims or wood scraps to get everything level.