

# Raised Garden Bed

By **DIY Pete**

Difficulty

Moderate

Learn how to build a raised garden bed out of 2x4 and 2x6 boards. The garden bed is about 2 feet tall so you will be able to garden comfortably without getting on your knees. This is a quick weekend project that will spruce up any yard.



## Tools

### Kreg Tools



[Kreg® Pocket-Hole Jig 720](#)

### Other Tools

Miter Saw

Tape Measure

Drill (cordless)

Stapler

Sander

## Materials

### Wood Products

**3** Board , 2x4 , 120"

**7** Board , 2x6 , 120"

### Hardware & Supplies

**1** Box Of 2 1/2 Inch Blue Kreg Screws

**1** Box 2 1/2 Inch Wood Screws

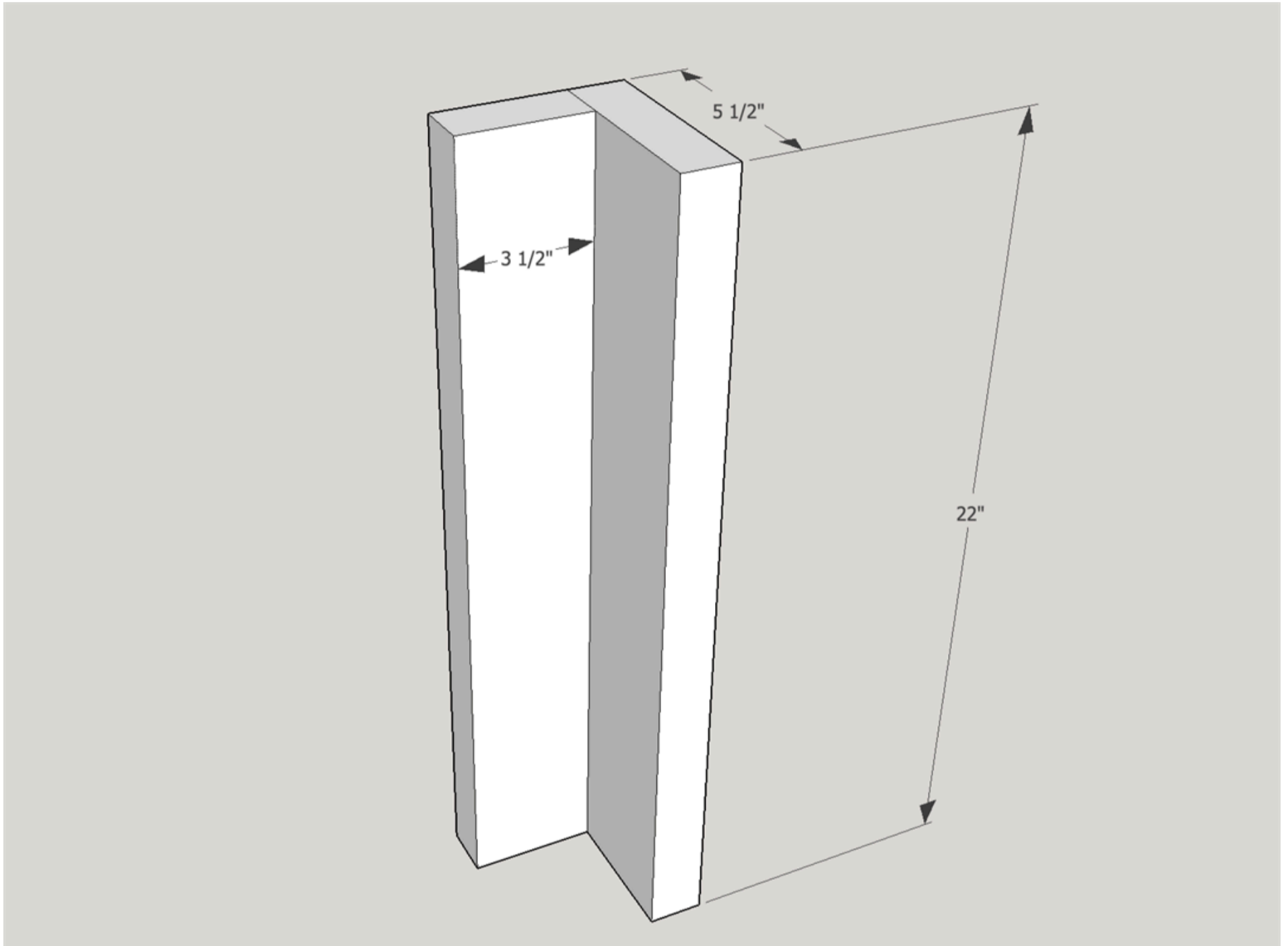
**1** Outdoor Stain / Sealer

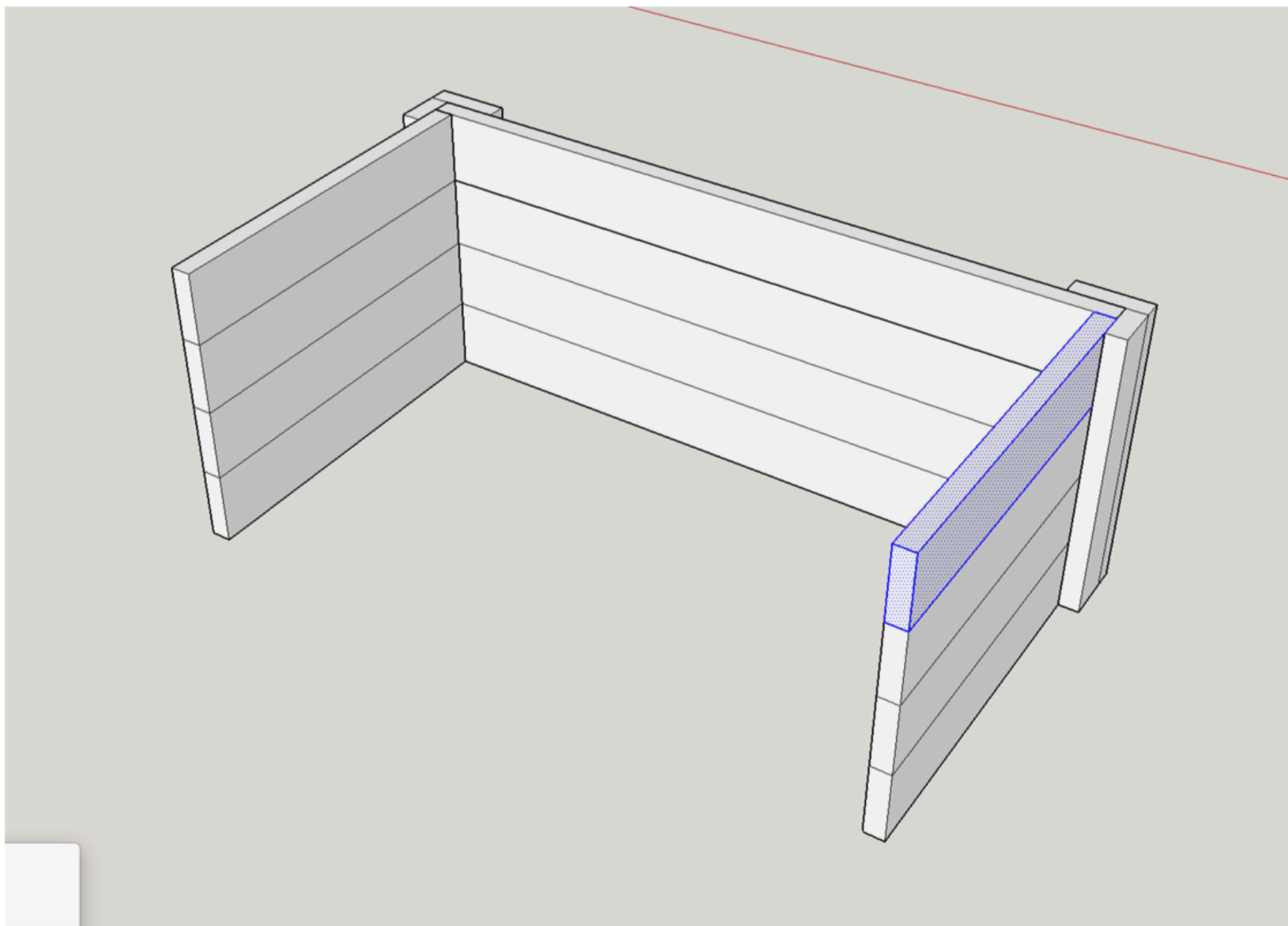
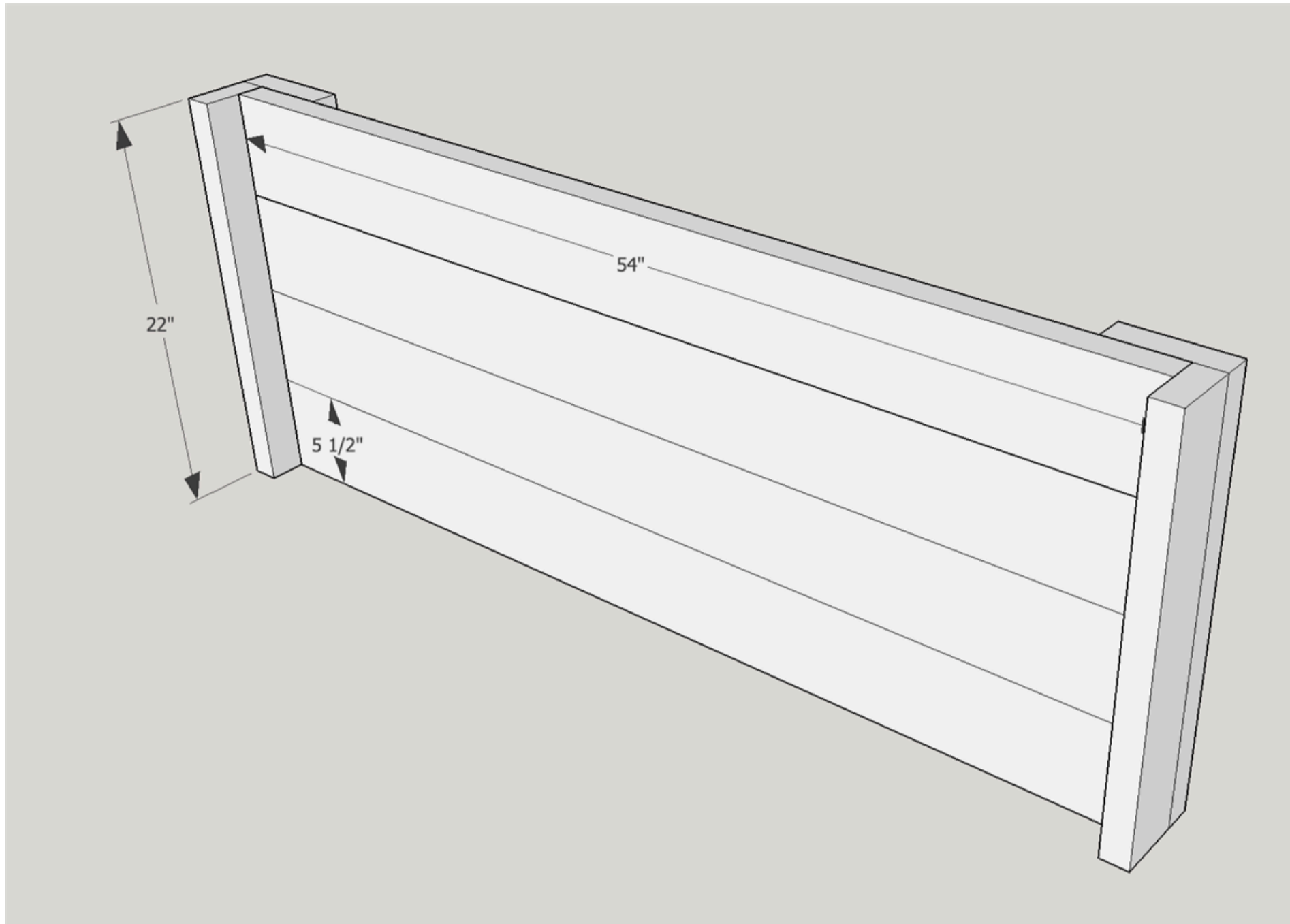
**1** 1 Roll Of Weed Barrier

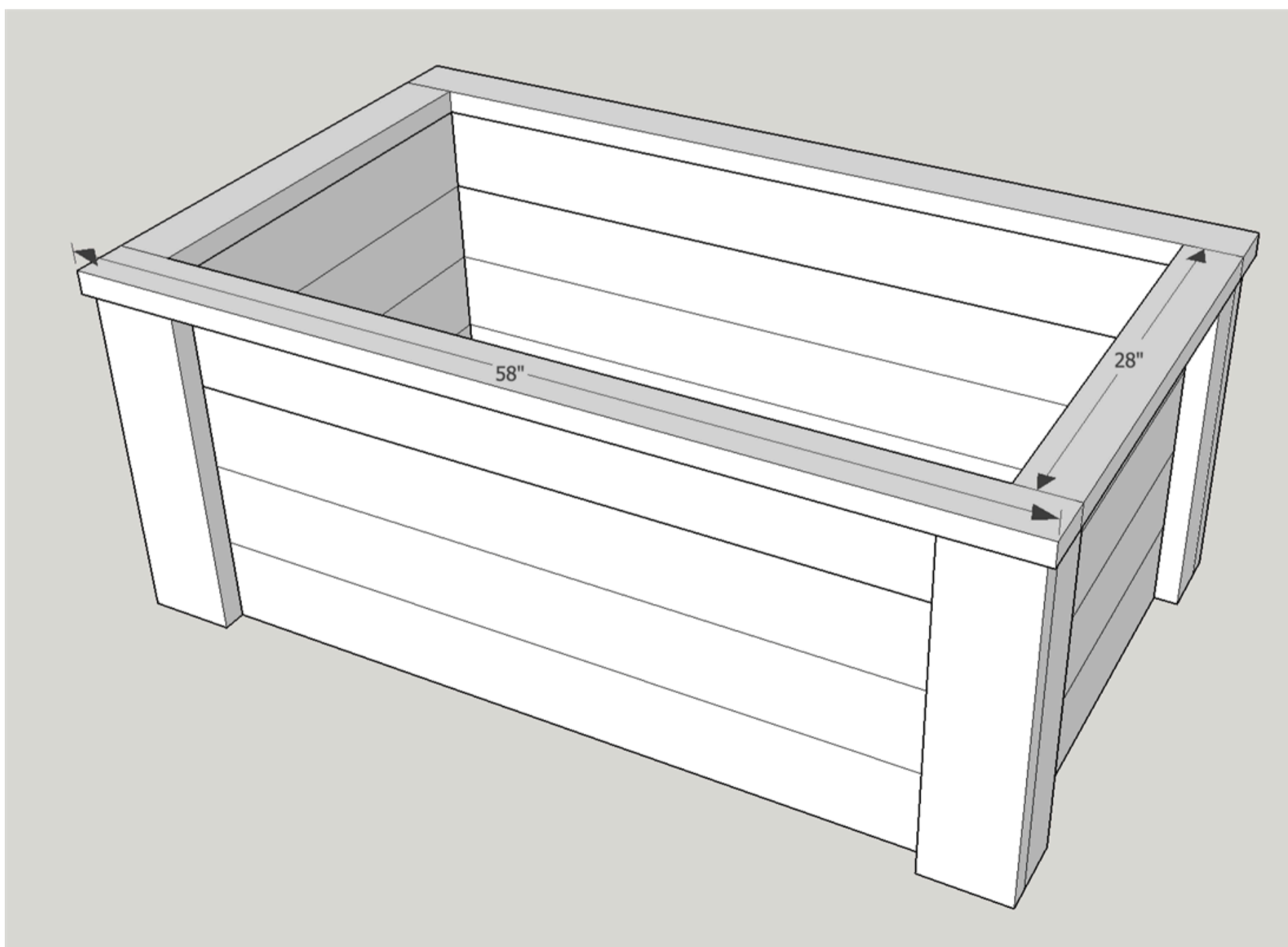
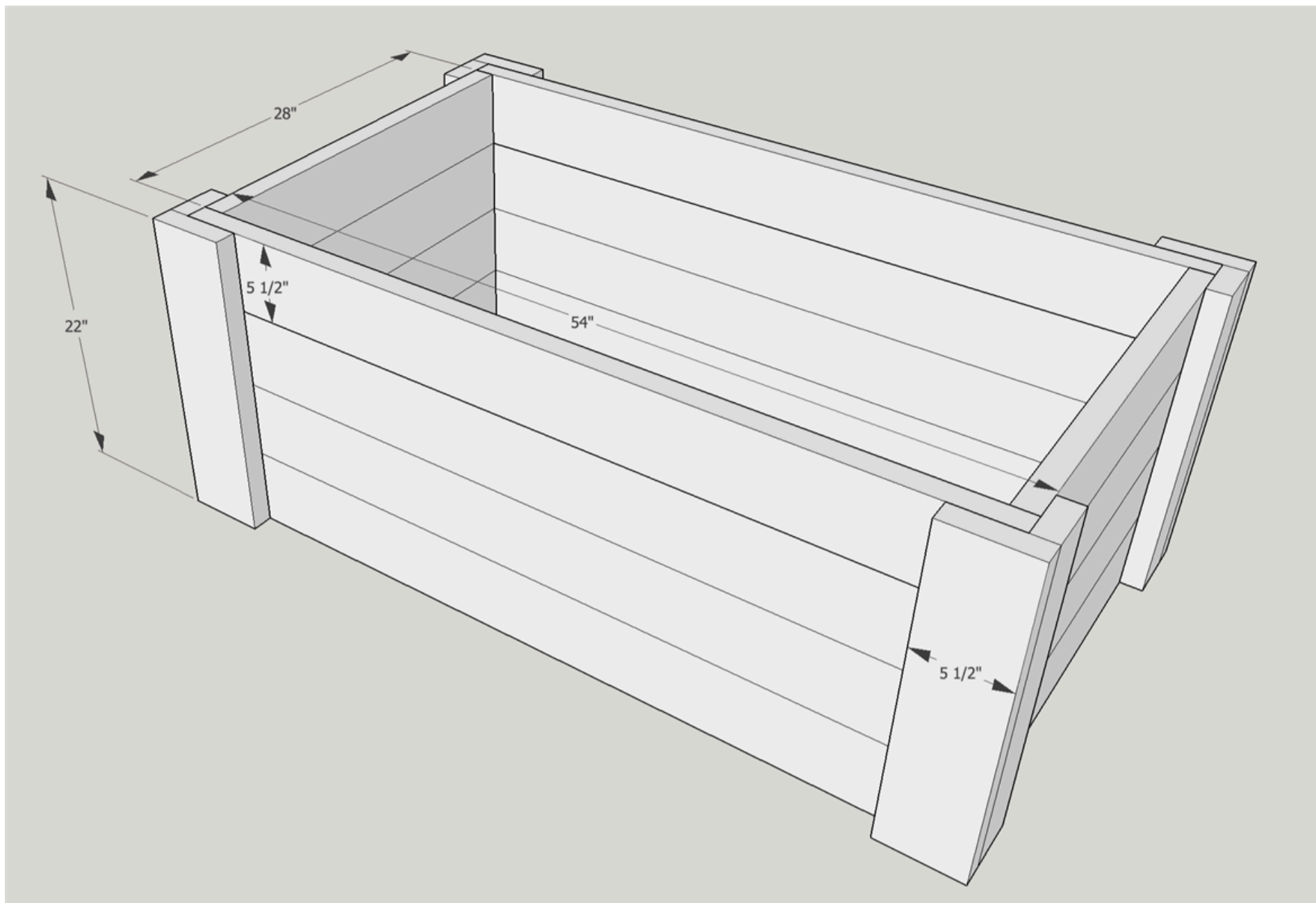
**1** Soil To Fill Planter - Approximately 19.1 Cubic Feet

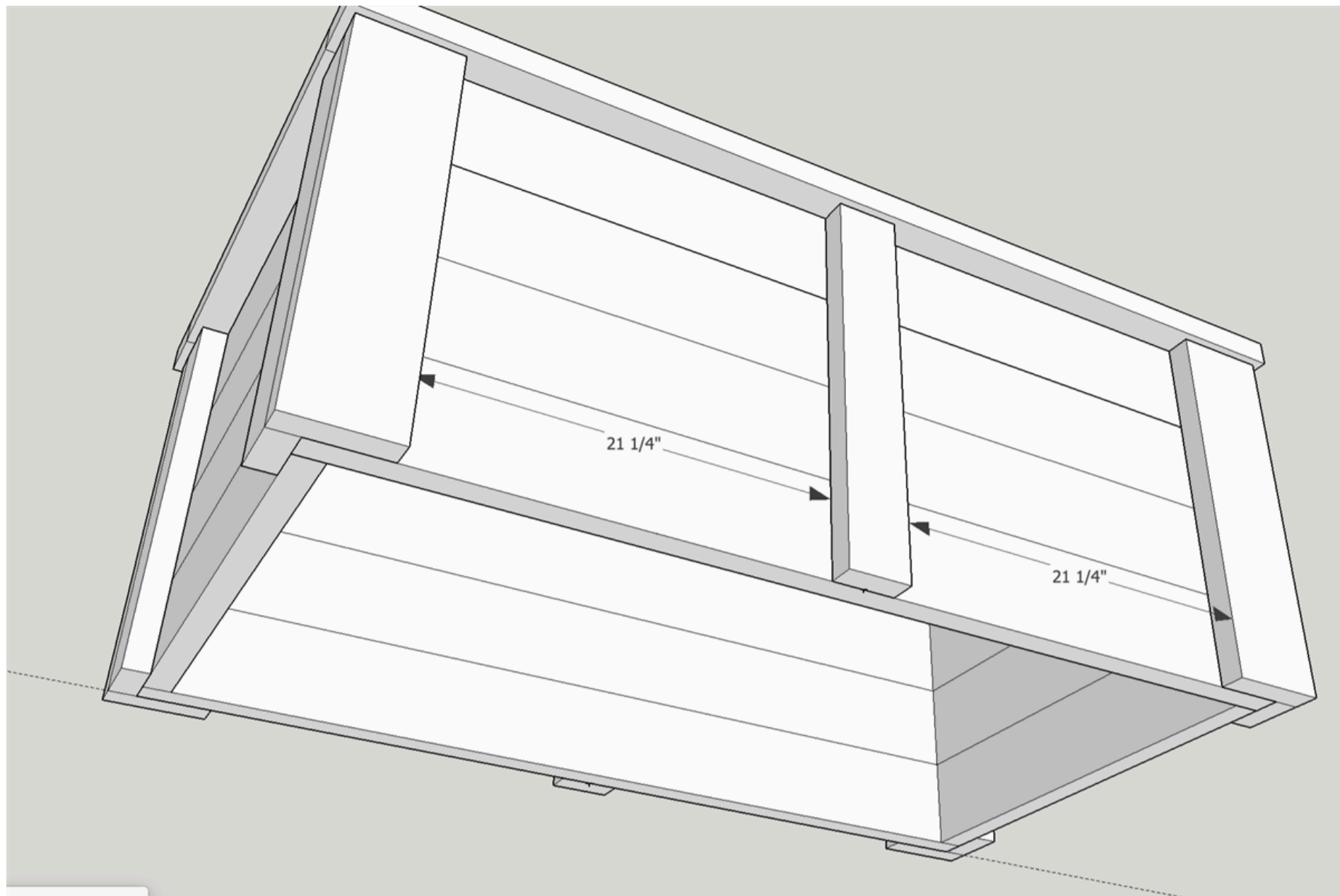
# Cut List & Parts

- 6 Leg And Center Support , 1 1/2" X 3 1/2" X 22"
- 4 Leg , 1 1/2" X 5 1/2" X 22"
- 8 Long Side Boards , 1 1/2" X 5 1/2" X 54"
- 8 Short Side Boards , 1 1/2" X 5 1/2" X 28"
- 2 Long Top Cap Board , 1 1/2" X 3 1/2" X 58"
- 2 Short Top Cap Board , 1 1/2" X 3 1/2" X 28"









# Directions

---

1

## Gather Materials

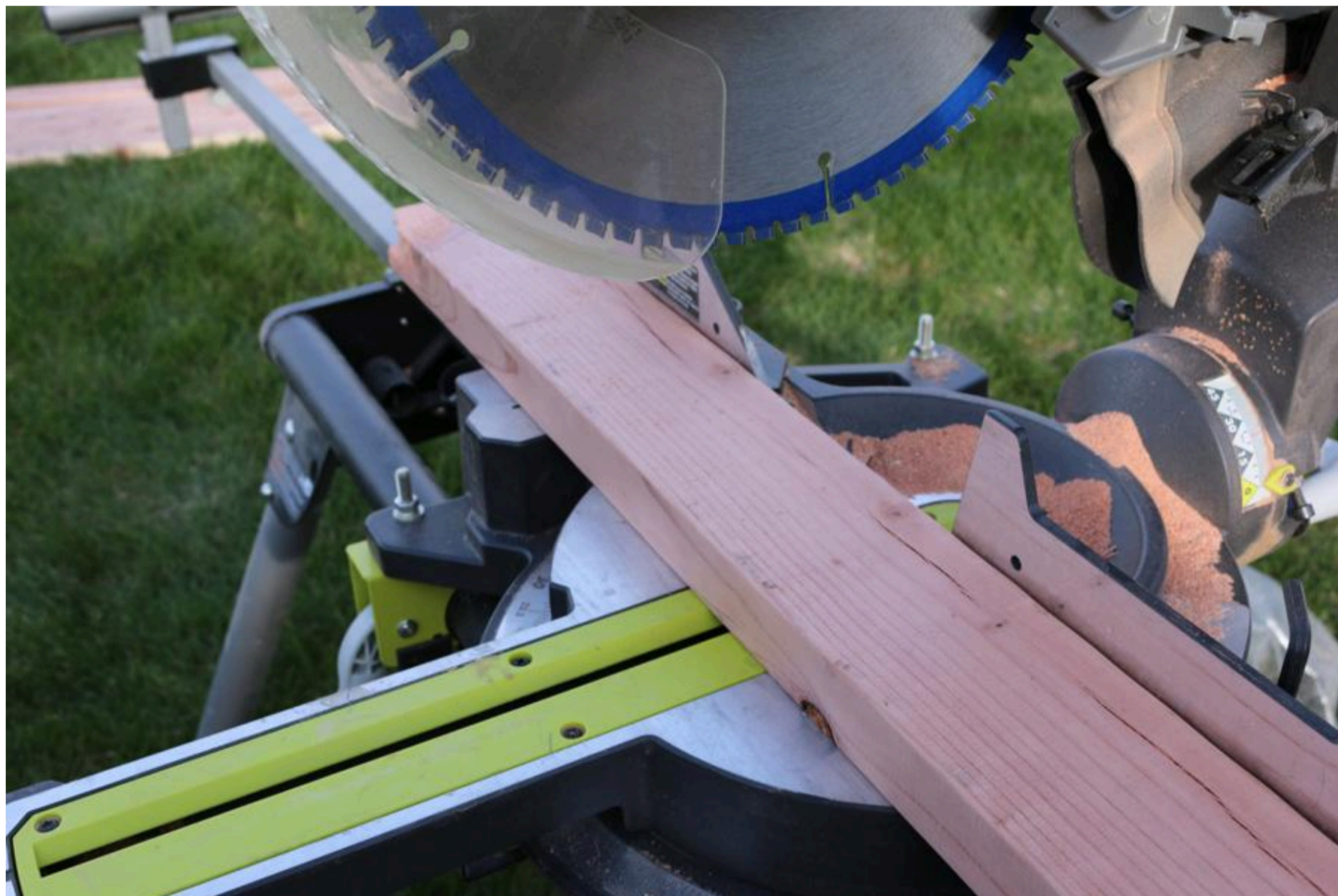
Gather materials. Redwood or cedar are both good choices for outdoor projects. You'll need 2x4 and 2x6 boards.



## 2

### Make Cuts

Use a miter saw or circular saw to make each cut according to the cut list. Feel free to modify the size as needed to best fit your needs.





3

### Create pocket holes

Use a pocket hole jig to attach the two boards that form each leg. Drill pocket holes into the 2x4 board. I'd recommend creating 4 pocket holes for each leg.



4

### Connect legs

Use 2 1/2 inch Kreg screws to attach the leg boards.



5

**Layout boards**

Layout the legs and long side boards.



6

### Attach side boards to legs

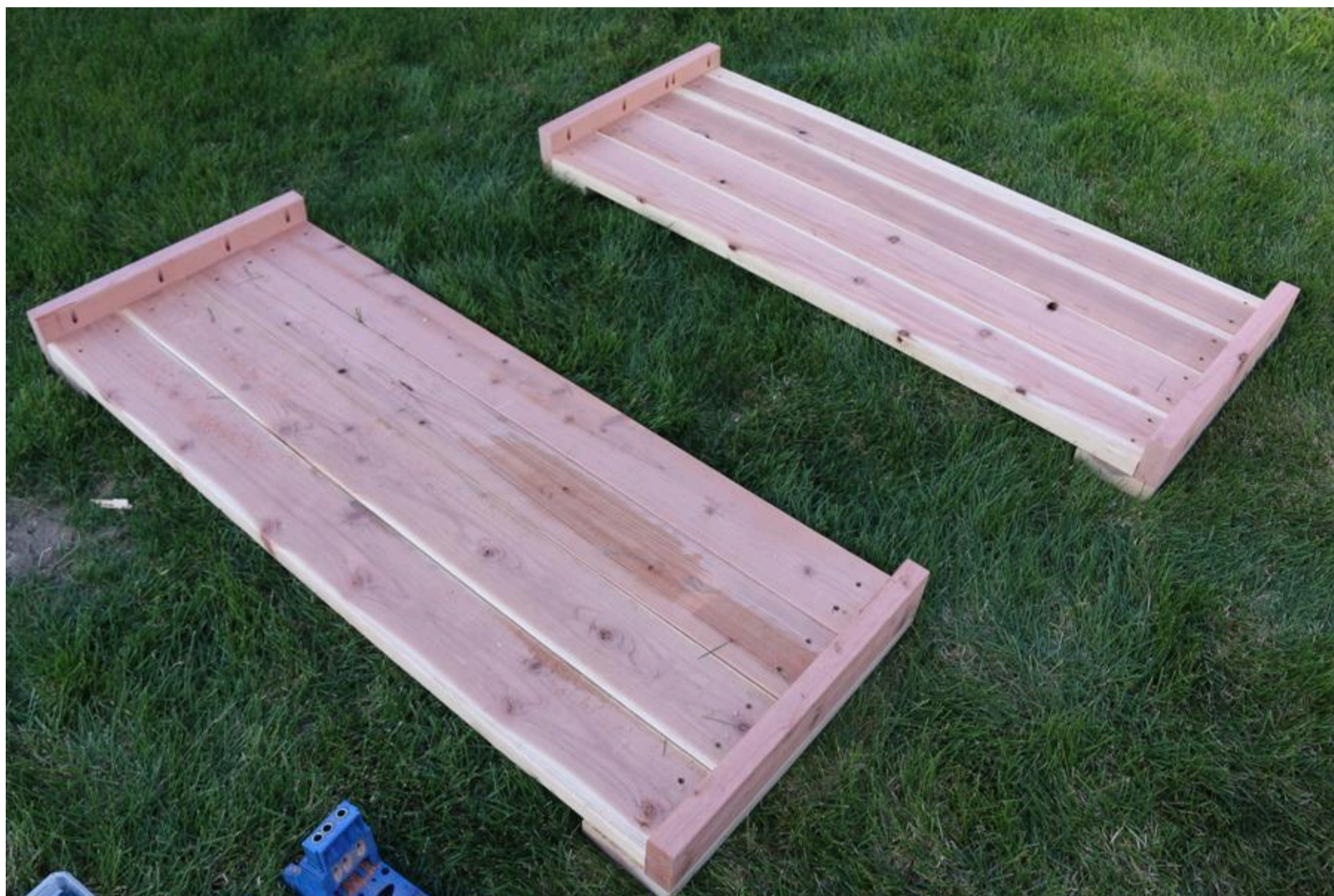
Use 2 1/2 inch wood screws to attach each 2x6 board to each leg. Use 2 screws on the end of each board.



7

### Prepare to add short side board

Here is a photo showing the two longer sections prior to adding the other 2 sections.



8

### Connect short side boards

Use 2 1/2 inch wood screws to attach the shorter 2x6 side boards to the leg.



9

### Sides added

Here is a photo showing the sides connected.



10

### Connect the last side

Complete the four sided box by attaching the remaining side with 2 1/2 inch wood screws.

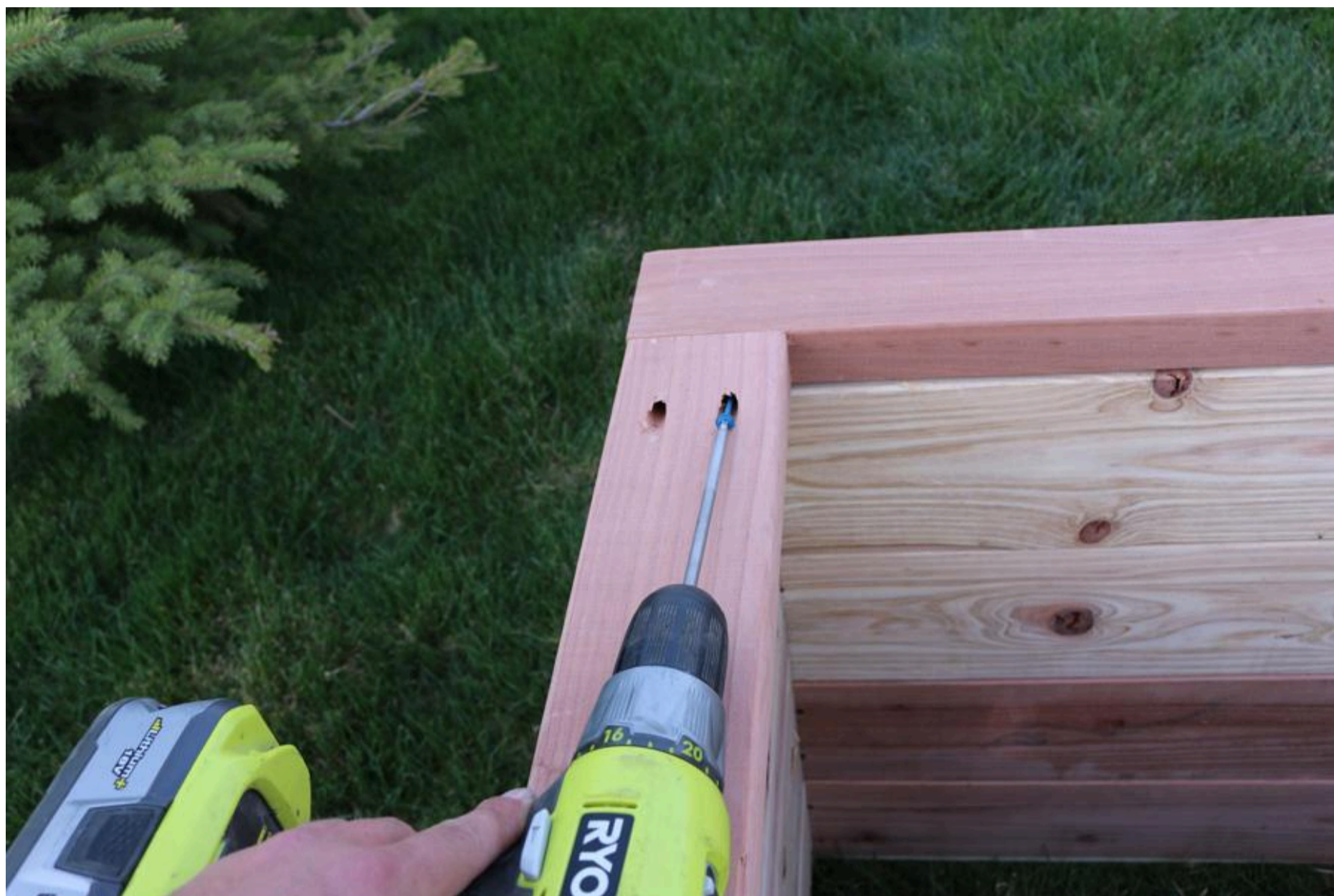




11

### Create cap boards frame

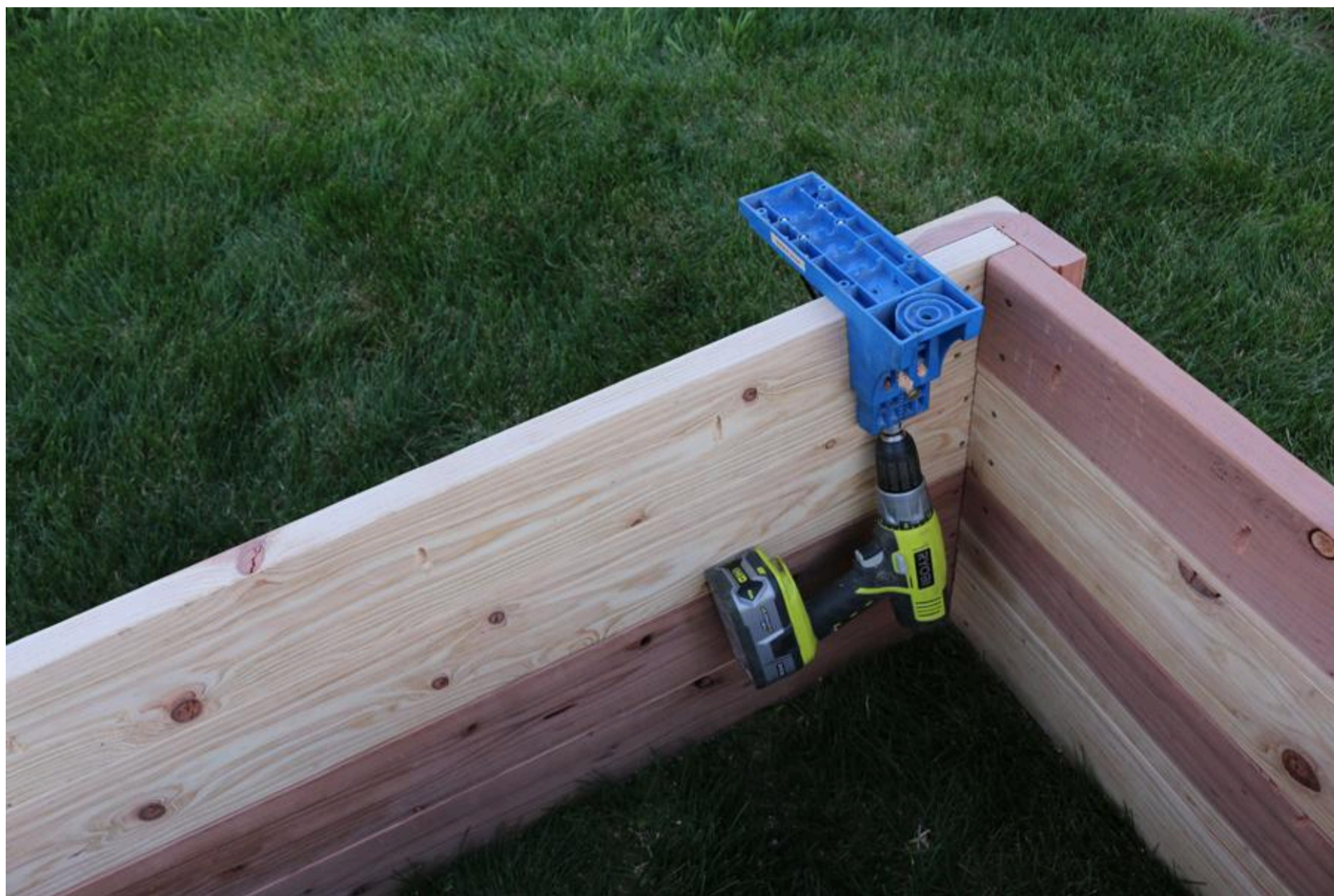
Form the frame for the top cap out of 2x4 boards. Connect at each corner from the underside using 2 1/2 inch Kreg screws.



12

### Create pocket holes

Drill pocket holes to enable the top caps to be connected from the underside using 2 1/2 inch Kreg screws.



13

### Add center 2x4 supports

Center the 2x4 middle supports on the outside of the planter and then attach with 2 1/2 inch screws from the inside.



14

**Prior to cap**

Here is the planter prior to the 2x4 cap frame being attached.



15

### Attach cap from underside

Attach the top cap to the sidewalls from the underside using 2 1/2 inch Kreg screws.



16

**Level**

Determine where the planter will go. Create a level surface.



17

### Weed cloth

Add weed cloth to prevent unwanted vegetation from growing into your planter. Use chicken wire to keep gophers out if needed.



18

### Add soil

Add soil to the planter. It will take approximately 19 cubic feet. Plants some flowers, herbs, or vegetables!

