

# DIY Wine Rack Book Ends

By **DIY Huntress**

Difficulty

Easy

What's better than a wine rack? A wine rack that does more than just hold wine! Create this pair of multifunctional Wine Rack Book Ends in just a few easy steps and for right under \$20 in lumber!



# Tools

## Kreg Tools



[Kreg® Pocket-Hole Jig 720](#)

## Other Tools

Miter Saw

Tape Measure

3.25 Inch Hole Saw

Drill (cordless)

Sander

# Materials

## Wood Products

**1** Board , 1x6 , 48"

**1** Board , 1x10 , 48"

## Hardware & Supplies

**1** Wood Stain

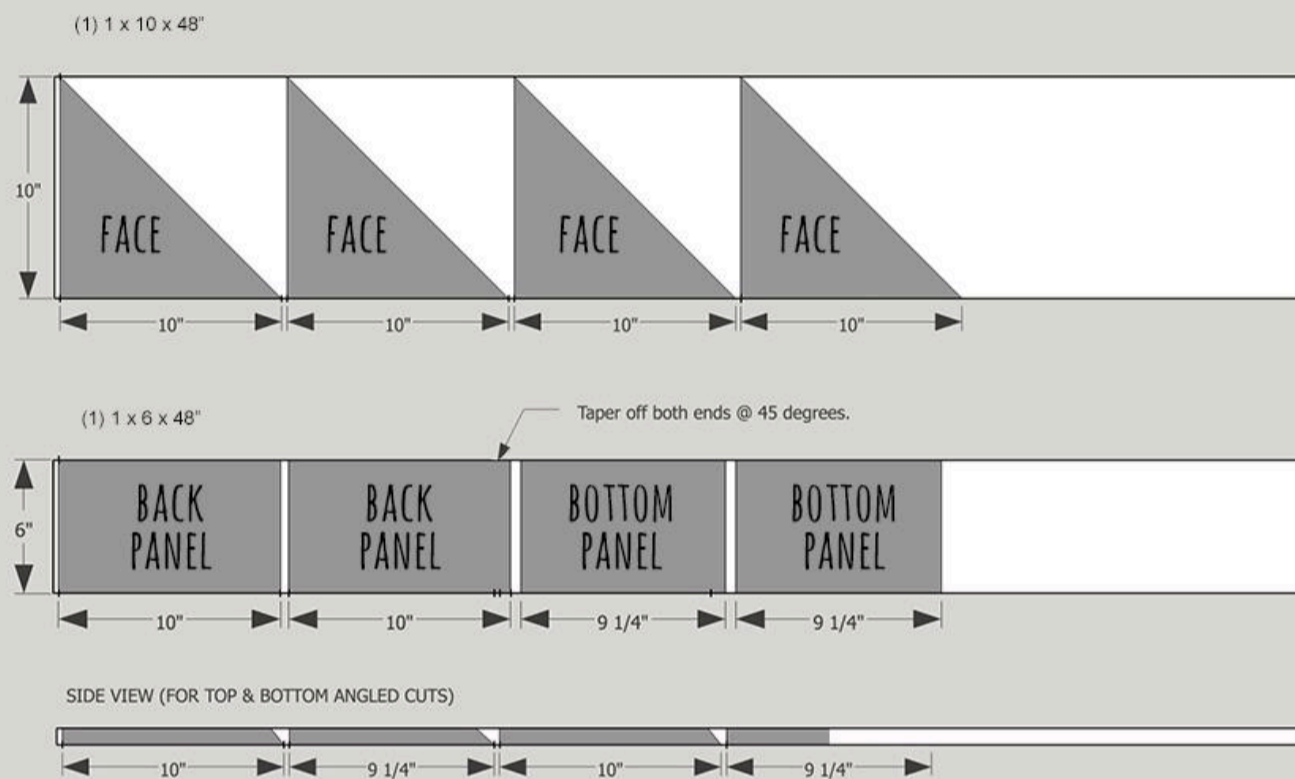
**8** 1 1/4" Pocket Hole Screws

**1** Wood Glue

# Cut List & Parts

- 4 Faces , 10x10 (See Diagram)
- 2 Back Panels , 10 X 6 (See Diagram)
- 2 Bottom Panels , 9 1/4" X 6 (See Diagram)

## DIY BOOK END WINE RACKS (SET OF 2)



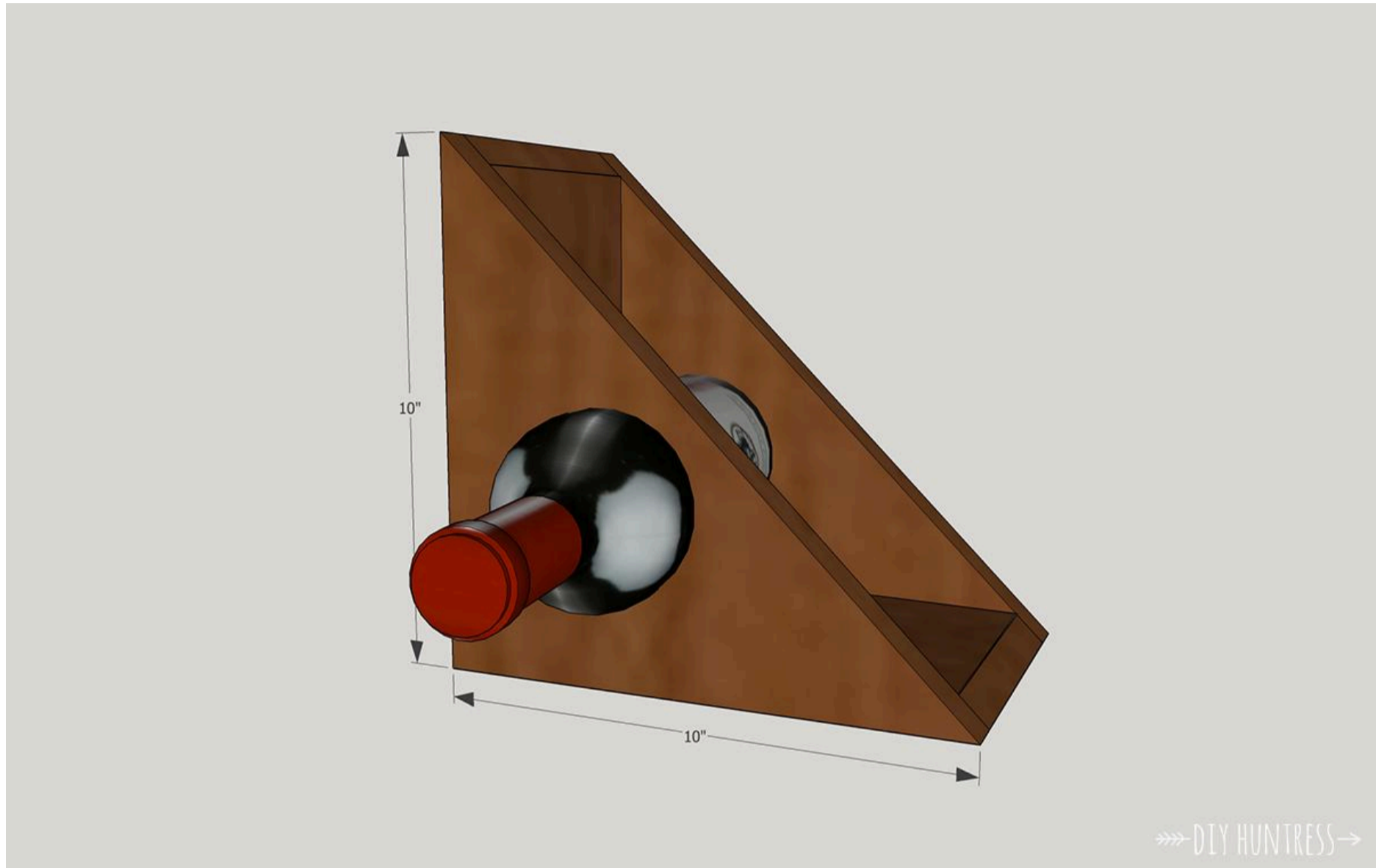
DIY HUNTRESS →

# Directions

1

## Check Dimensions & Cut List

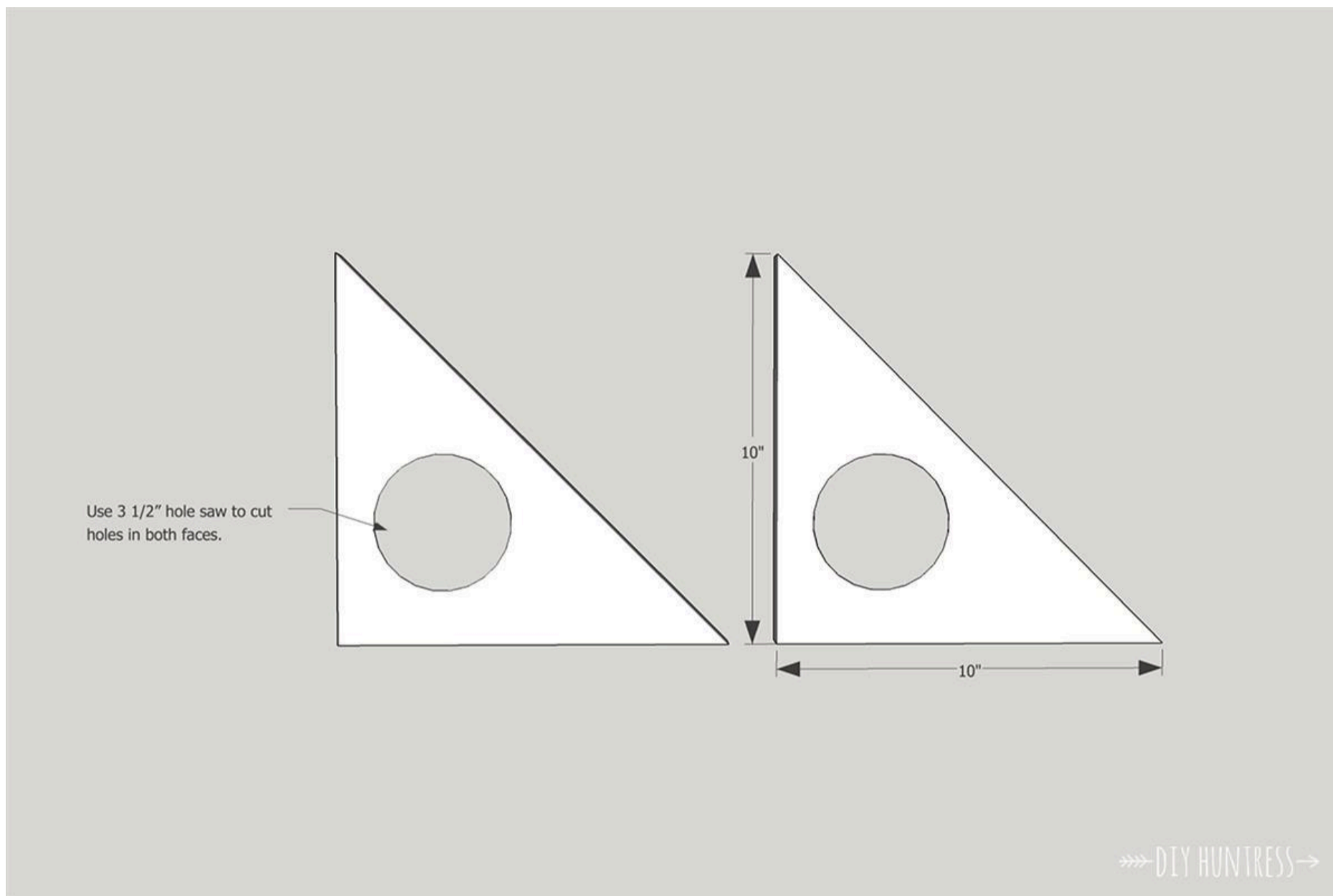
The plans for this project outline the steps to make one of the two wine holders in the set. To make a set of two, be sure to follow all steps twice. Check all dimensions and the cut list before starting.



## 2

### Create Holes

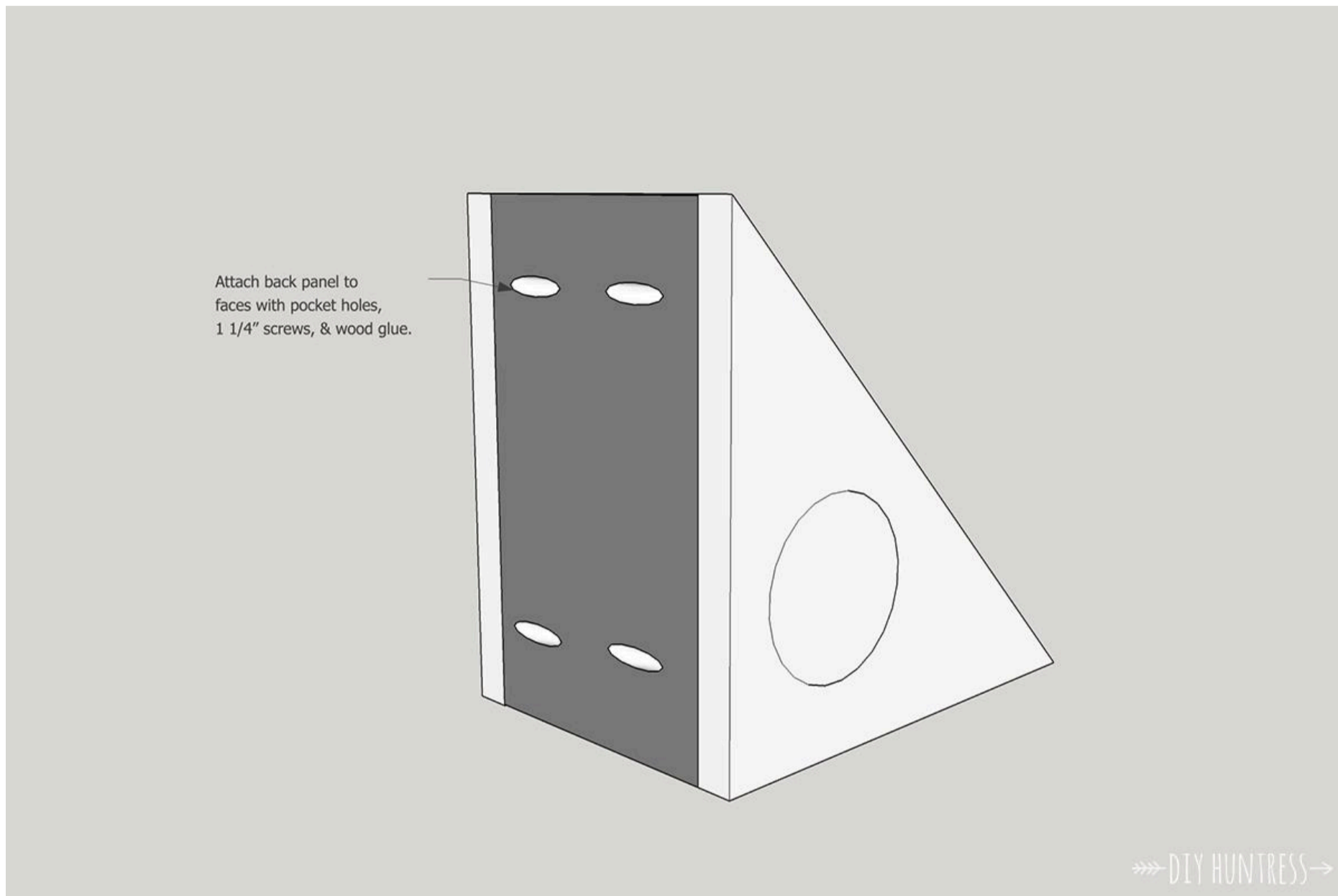
Drill holes into all of the faces of your wine racks using a 3 1/2" hole saw. Use a ruler to find the center of each face.



3

### Add Back Panel

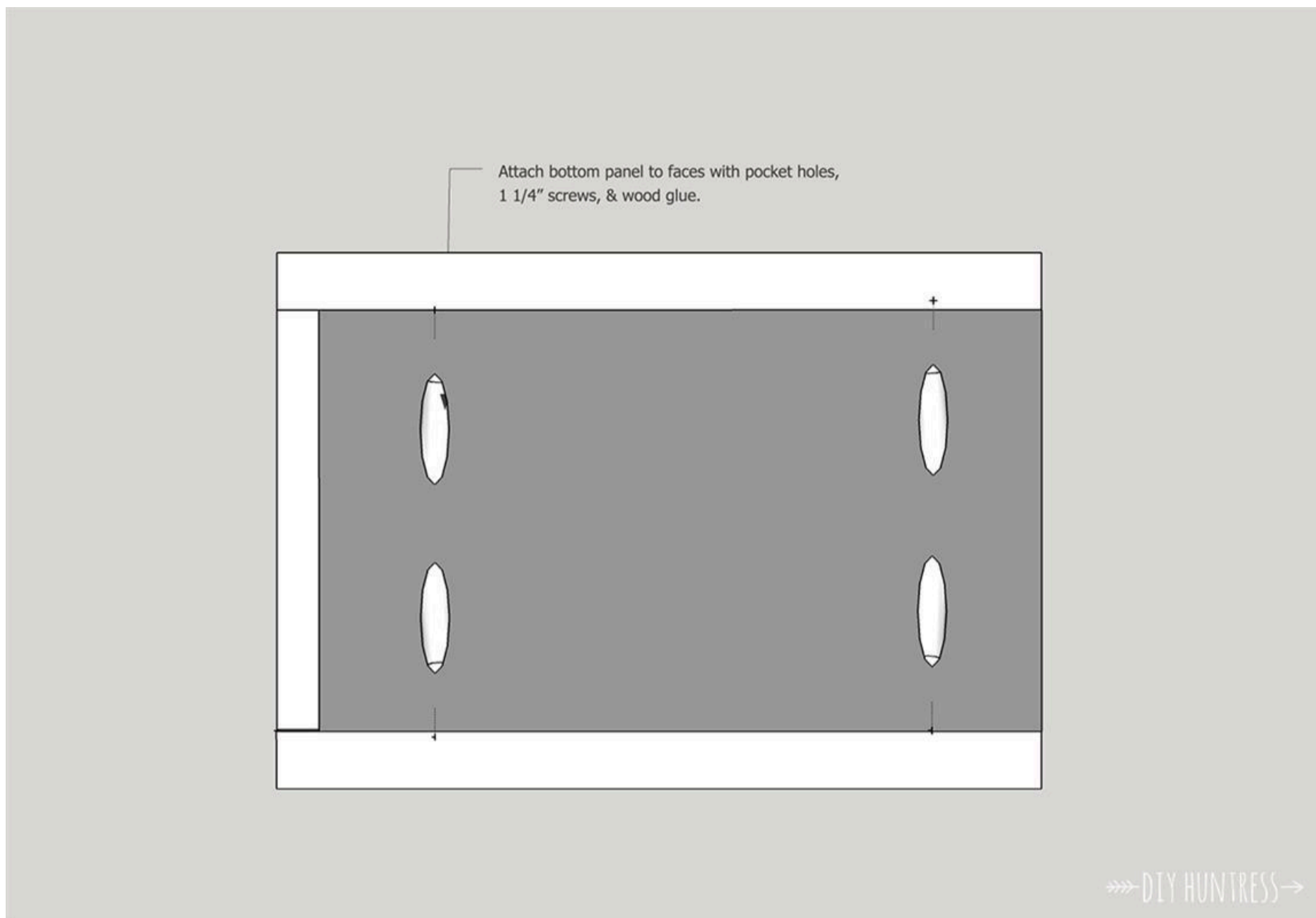
Add the 10" tall back panel to the wine rack. Be sure that you have cut the top of the panel at a 45 degree angle (with the longest side being the 10" side). Attach the panel using pocket 1 1/4" pocket holes screws and wood glue.



4

### Add Bottom Panel

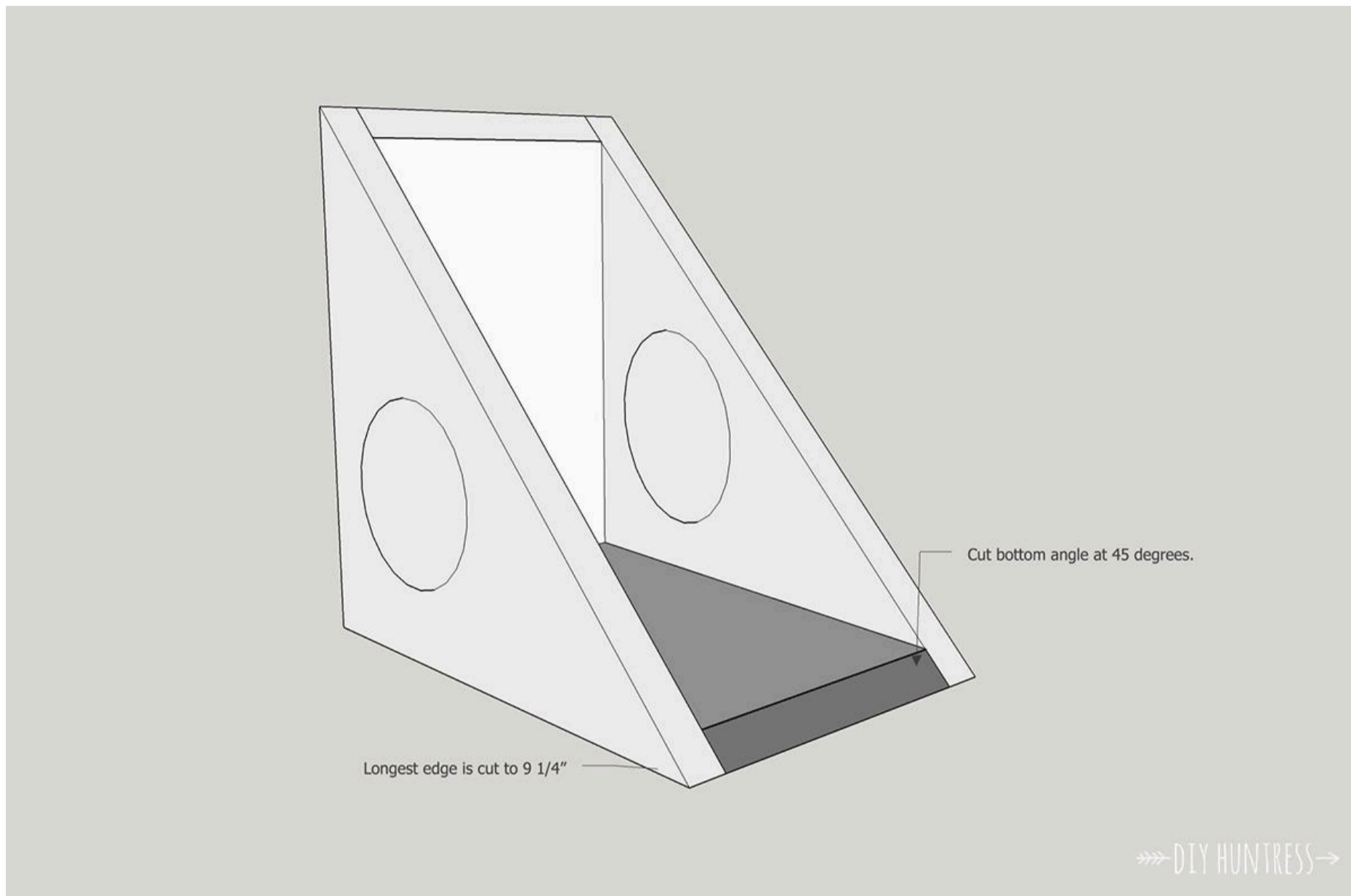
Attach the panel using pocket holes, 1 1/4" pocket holes screws, and wood glue.



5

### Fit Bottom Panel

Make sure to dry fit the back panel prior to attaching. One edge should be cut at 45 degrees, making the longest edge 9 1/4" long.





6

### Finishing Touches

Use wood putty to fill pocket holes. Once dry, sand, and then stain your rack.

