

DIY Retro Side Table

By **DIY Huntress**

Difficulty

Moderate

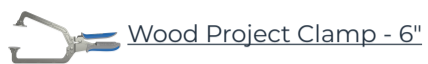
Retro Mid Century Modern Decor is coming back in style. Get ahead of the old-times and build your own stylish retro side table with a storage drawer! A great, easy build for anyone who wants great style on a tight budget!





Tools

Kreg Tools



Other Tools

Miter Saw

Drill (cordless)

Sander

Materials

Wood Products

1 Board , 1x10 , 72"

1 Board , 1x6 , 96"

Hardware & Supplies

50 1 1/4" Kreg Pocket Hole Screws

10 1 1/4" Brad Nails (Optional)

1 6" Set Drawer Slides

1 Drawer Pull

1 Wood Filler

1 Wood Stain & Sealer

4 Tapered Table Legs ([Link For Product On Blog](#))

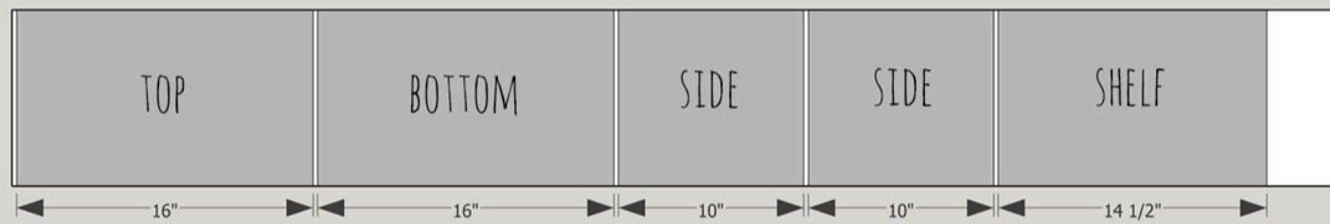
4 Angled Plates For Legs ([Link For Product On Blog](#))

Cut List & Parts

- 1 Top Piece , 1 X 10 X 16"
- 1 Bottom Piece , 1 X 10 X 16"
- 2 Side Pieces , 1 X 10 X 10"
- 1 Shelf , 1 X 10 X 14 1/2"
- 1 Back Panel , 1 X 6 X 14 1/2"
- 2 Drawer Sides , 1 X 4 1/2 X 6"
- 2 Drawer Sides , 1 X 4 1/2 X 11 3/4"
- 1 Drawer Bottom , 1 X 4 1/2 X 11 3/4"
- 1 Drawer Front , 1 X 6 X 14 1/2"

DIY RETRO SIDE TABLE CUT LIST

(1) 1 x 10 x 72"



(1) 1 x 6 x 96"



DIY HUNTRESS →

Directions

1

Check Dimensions & Cut List

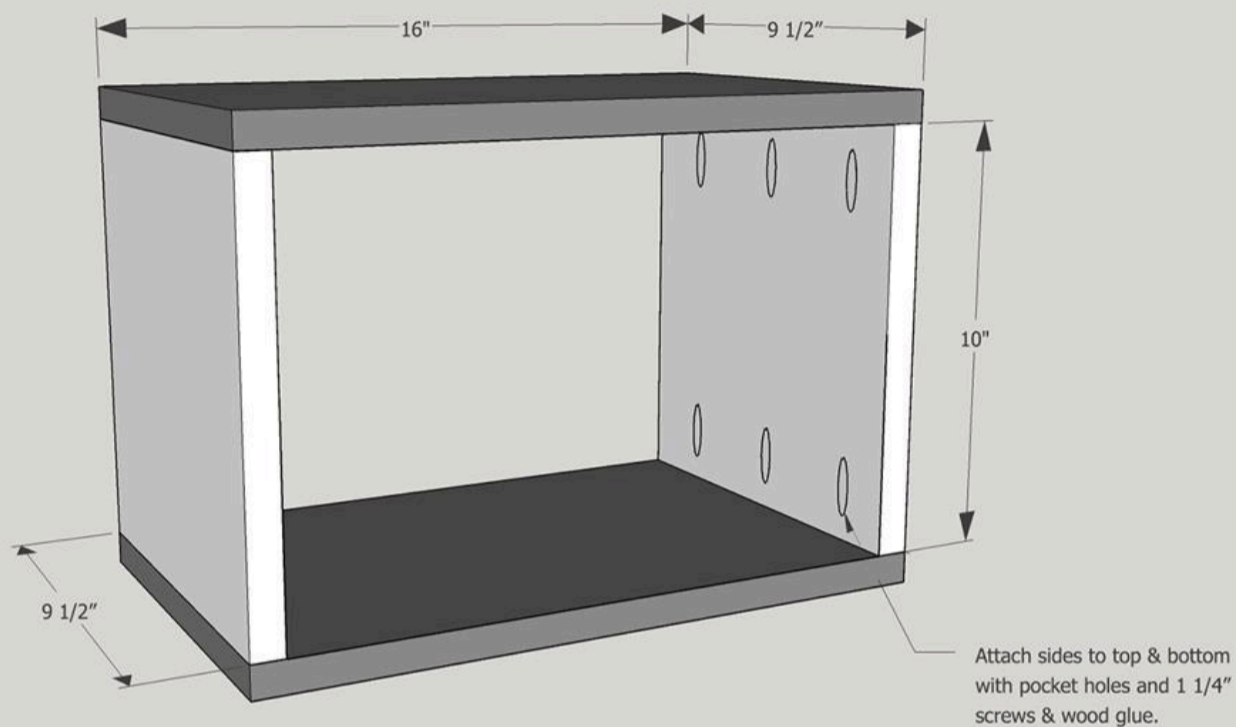
Prior to starting this project, check the dimensions and cut list.



2

Assemble The Frame

Once your frame pieces are cut, attach the top & bottom panels to the side panels using wood glue and 1 1/4" pocket hole screws.

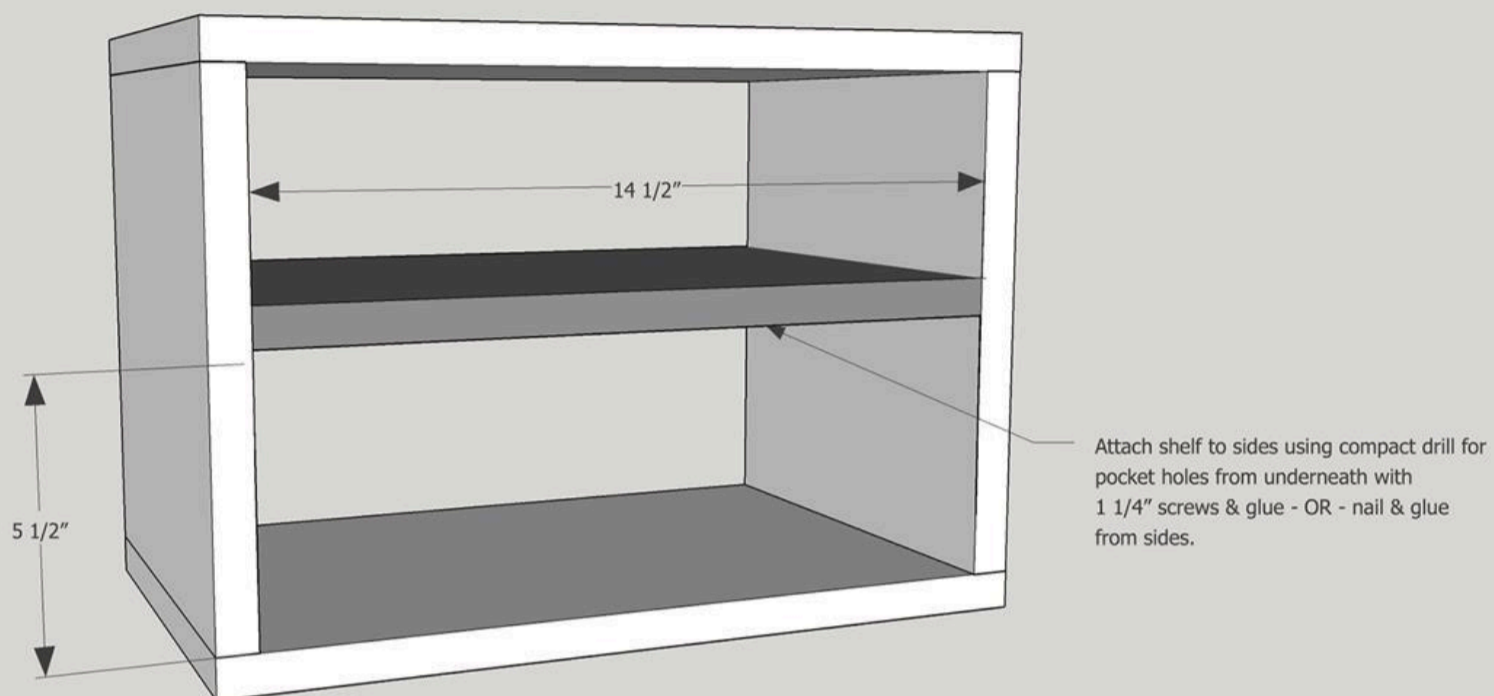


DIY HUNTRESS

3

Add The Shelf

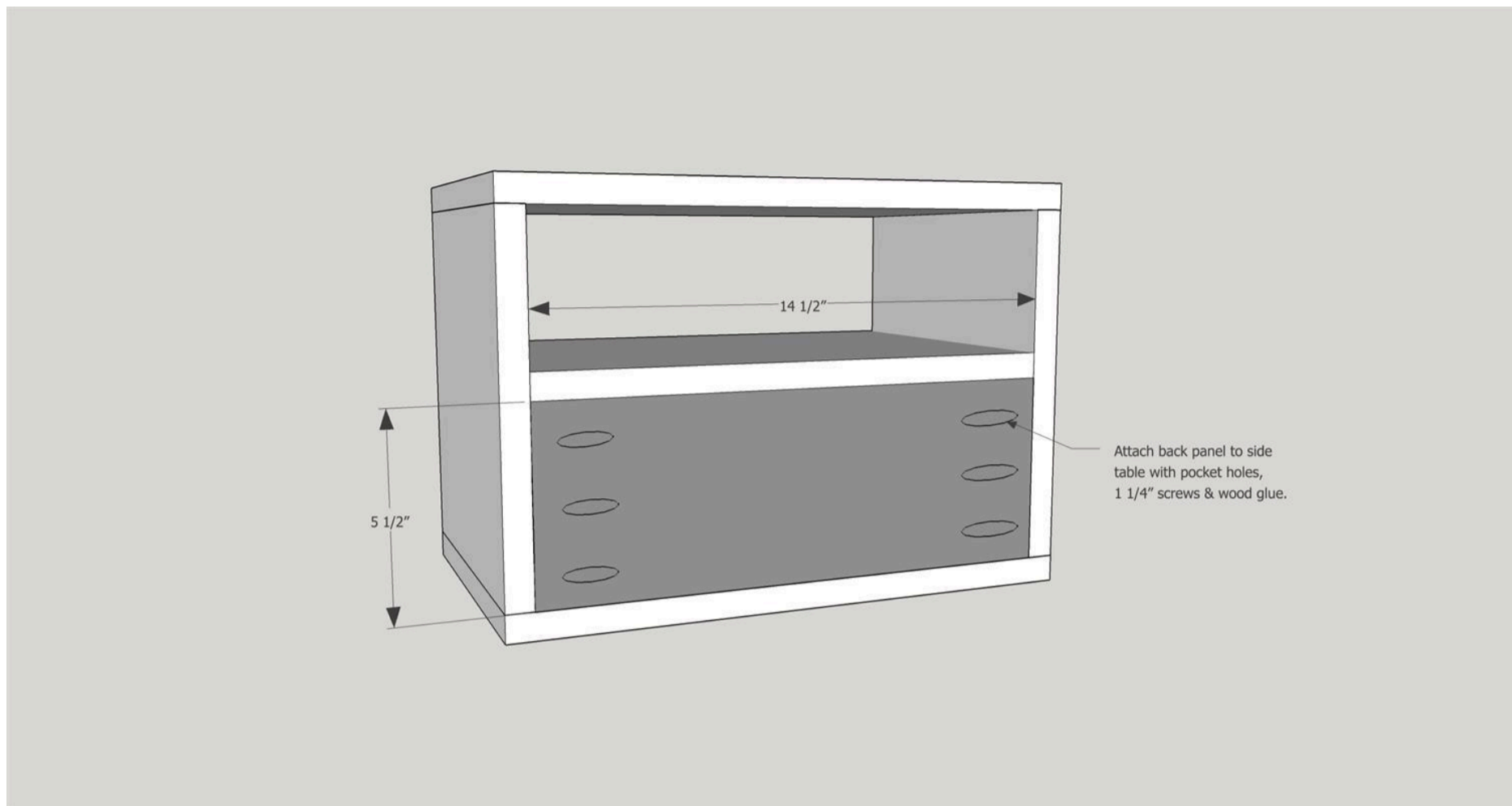
Add the shelf to the frame by using wood glue and pocket hole screws. You will need a compact drill here in order to get the screws in. If you do not have a compact drill, you can also use brad nails and wood glue to attach the shelf from the sides. Make sure to attach the frame 5 1/2" up to make room for the drawer.



DIY HUNTRESS

4**Attach Back Panel**

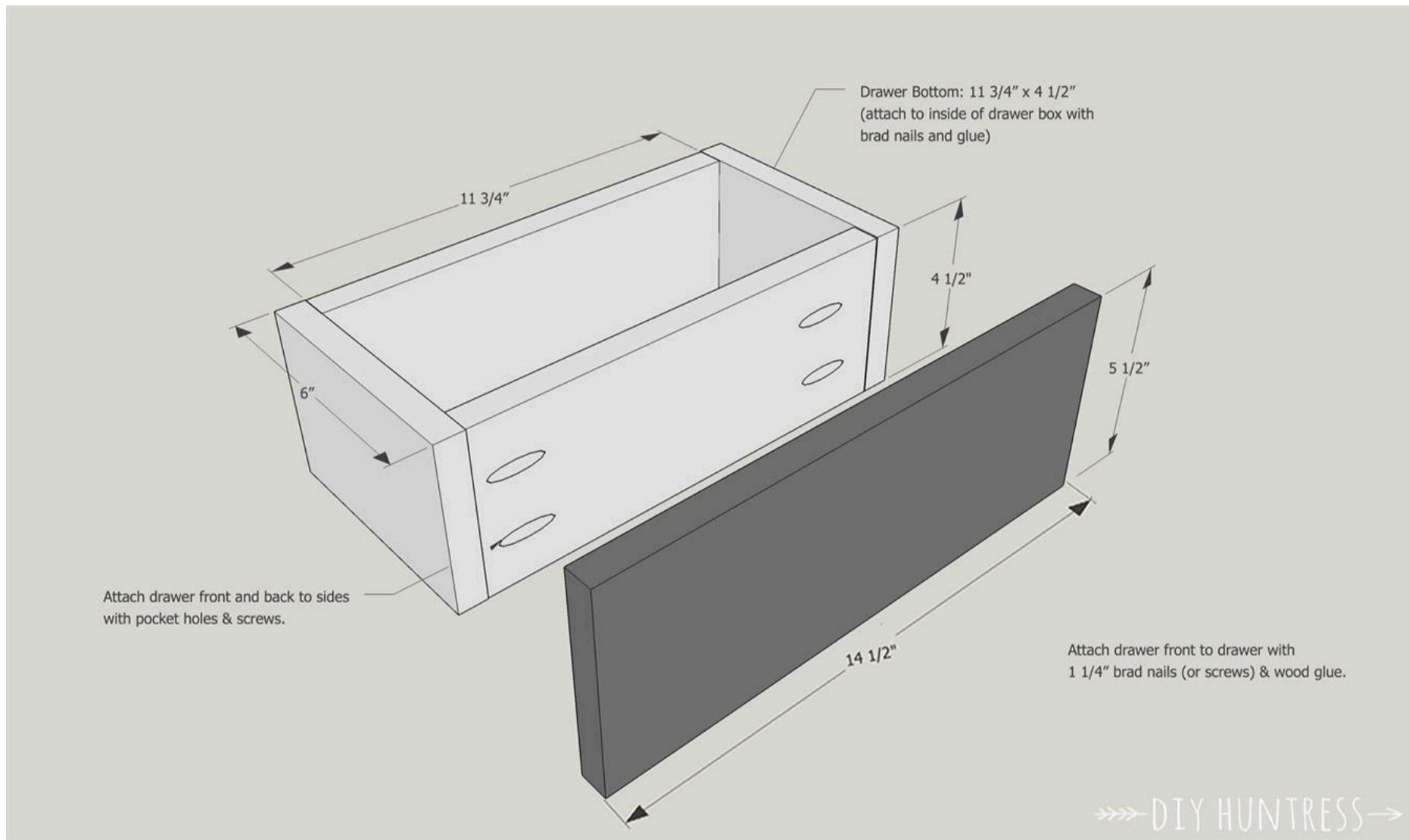
Attach the back panel of the table to the frame underneath the shelf. You can attach this piece with pocket holes in the back. Use wood glue and 1 1/4" screws to adhere.



5

Build The Drawer

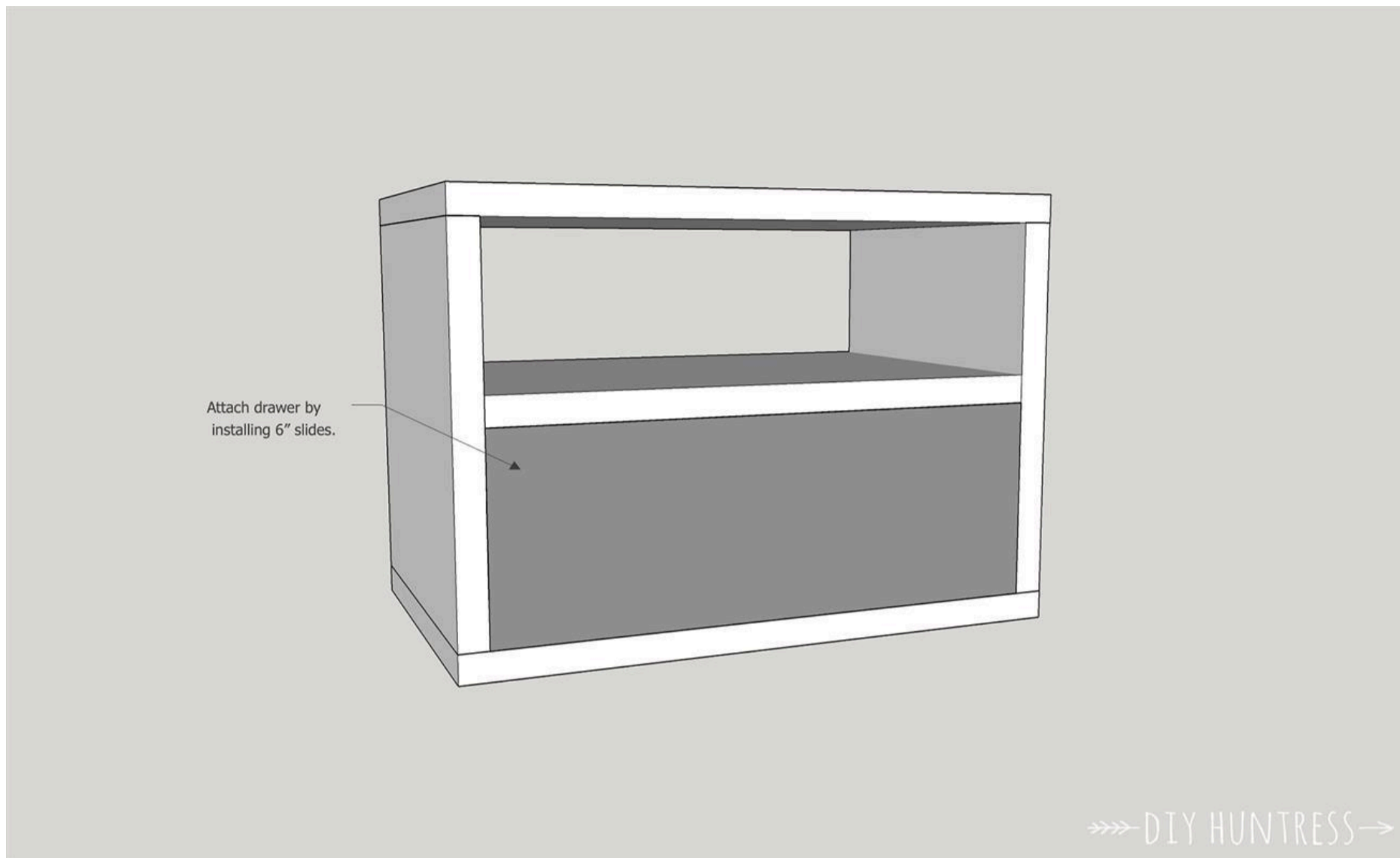
Assemble the drawer by attaching the sides with pocket holes & screws. Make sure to place the pocket holes in the back and front panels (they will be hidden by the drawer face and back panel). Next, attach the bottom panel of the drawer flush, inside the drawer frame with brad nails and wood glue. Lastly, attach the drawer front with brad nails or screws. You may have to sand and/or trim the panel in order to get it to fit without rubbing.



6

Install The Drawer

Install the drawer by adding 6" long drawer slides to the frame. Follow the directions provided with your drawer slides for installation.



7

Finish It Up

Fill all pocket holes and sand down the table. Once sanded, stain the piece and add hardware and legs (you can find links for the products I used on my blog).



Add table legs & hardware.

DIY HUNTRESS