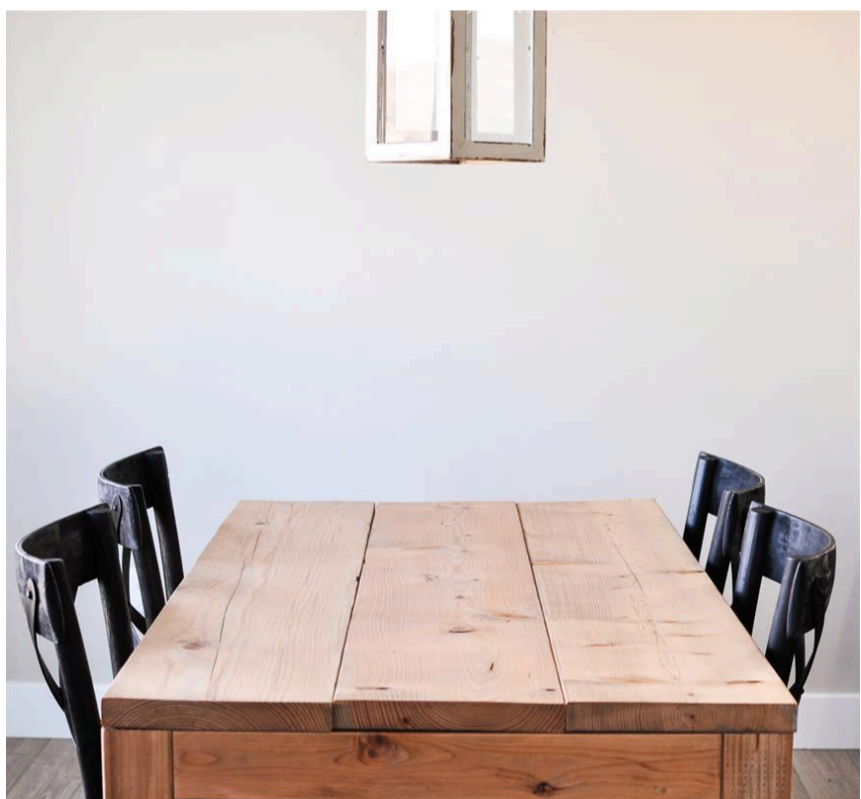
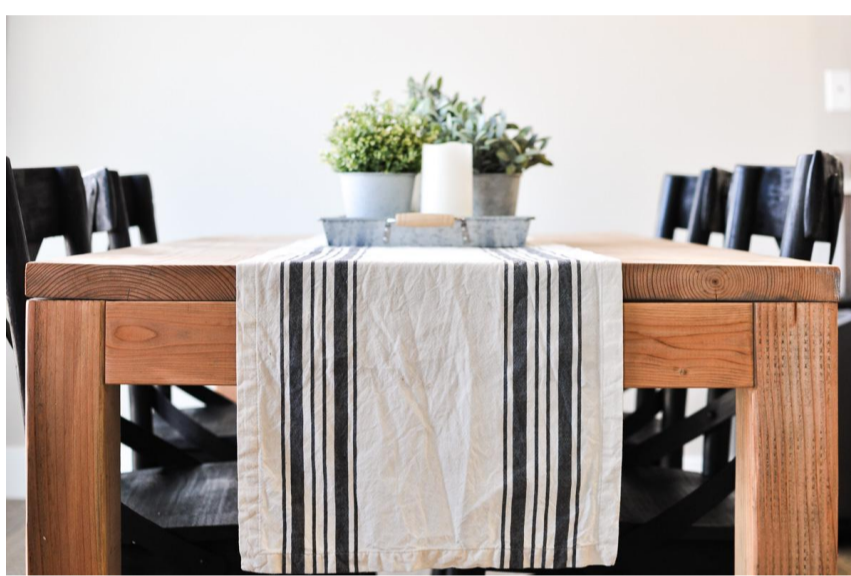


# Modern Farmhouse Dining Room Table

By **Cherished Bliss**

Difficulty  
Moderate

This simple Modern Farmhouse Dining Room Table is the perfect addition to any dining room. Paint it or stain it any color you like to fit your style!



# Tools

## Kreg Tools



[Kreg® Pocket-Hole Jig 720](#)

## Other Tools

Miter Saw

Square

Tape Measure

Drill (cordless)

Sander

Shop Vacuum

# Materials

## Wood Products

**2** Board , 4x4 , 96"

**2** Board , 2x4 , 120"

**3** Board , 2x12 , 96"

## Hardware & Supplies

**1** Box Of 2 1/2" Kreg Coarse Screws

**1** Sandpaper

**1** Minwax Weathered Oak

# Cut List & Parts

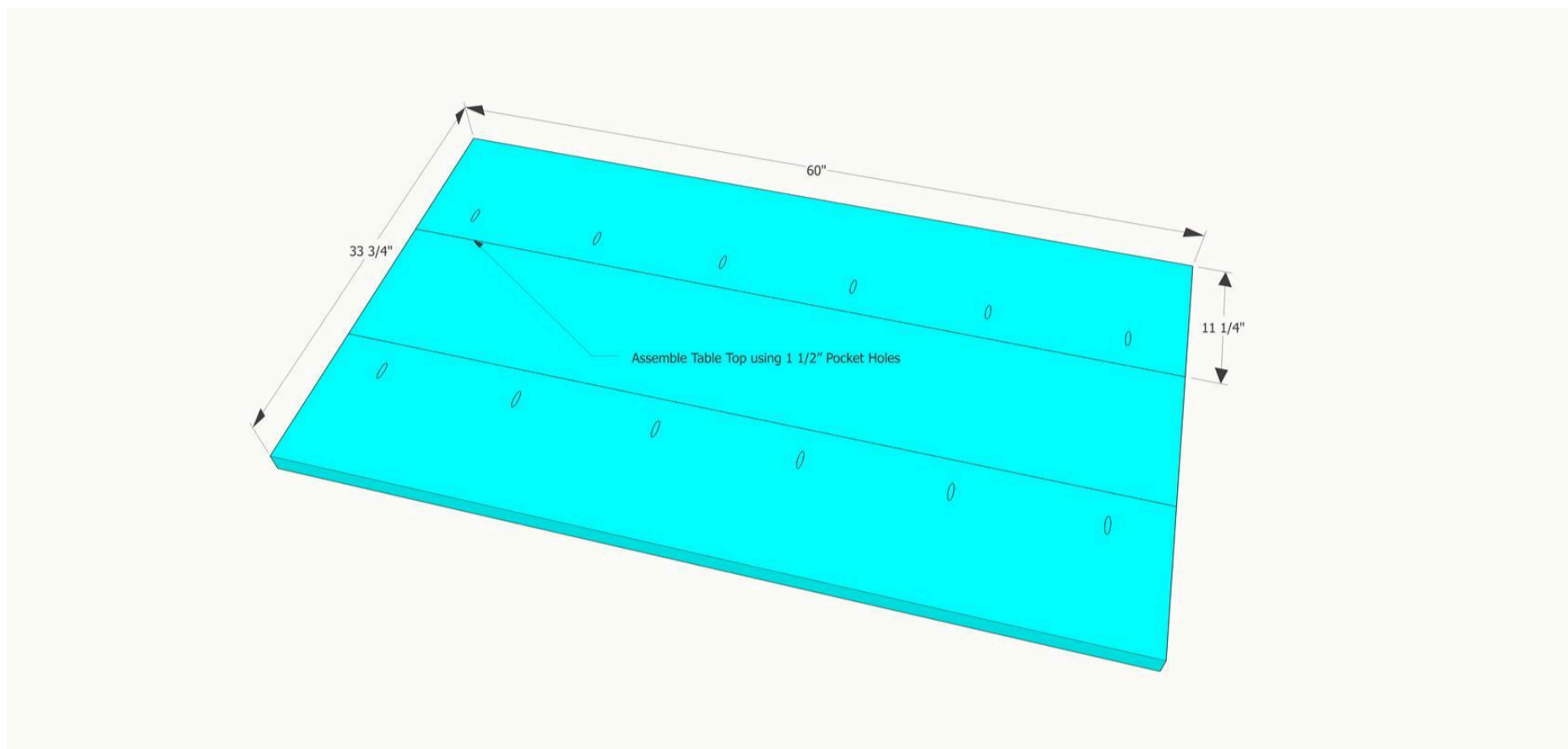
- 4 Legs , 4"x4"x28 1/2"
- 2 Side Aprons , 2"x4"x53"
- 2 End Aprons , 2"x4"x26 3/4"
- 1 Center Support , 2"x4"x30 3/4"
- 3 Table Top Pieces , 2"x12"x60"

# Directions

1

## Assemble Table Top

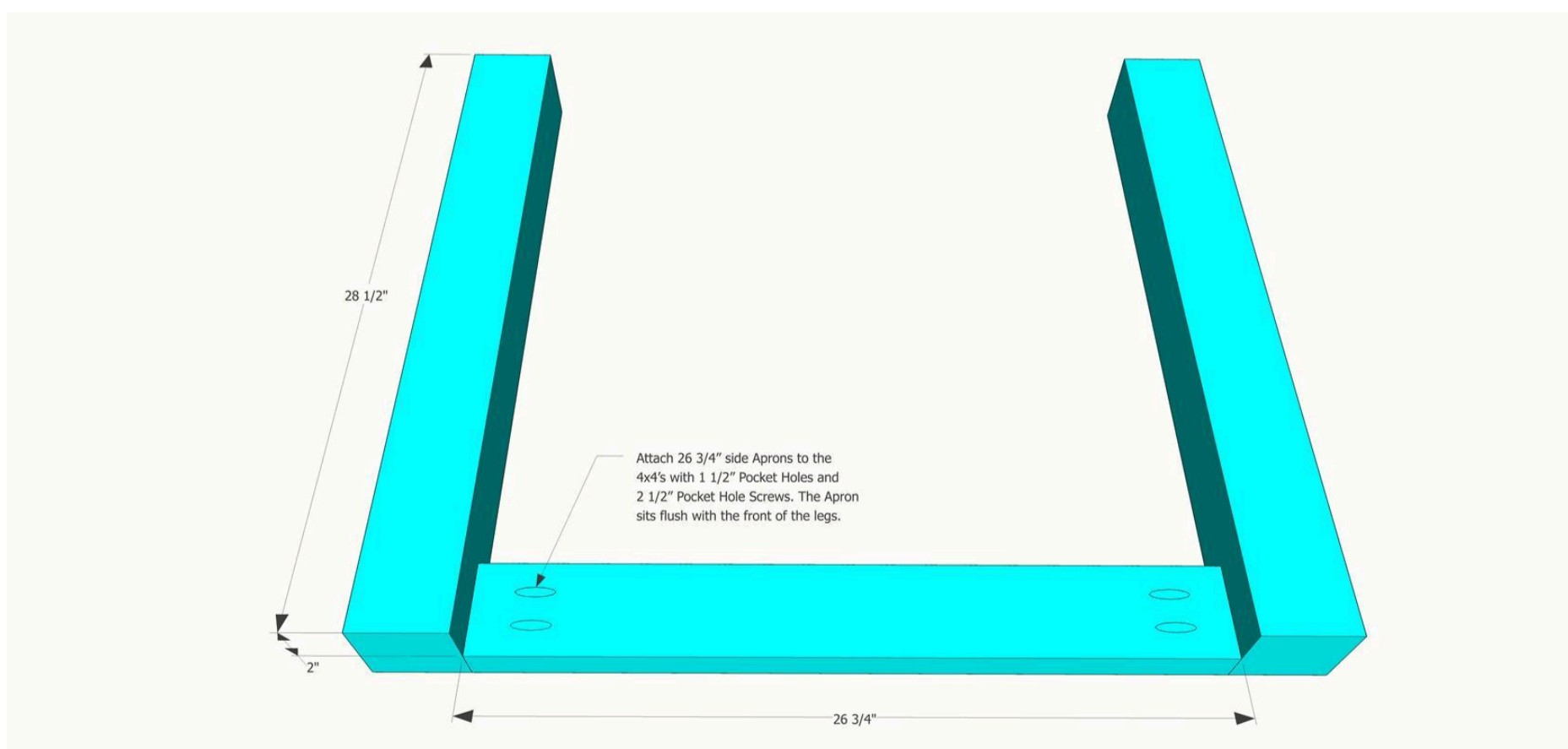
I suggest assembling the table top first since it will sit flush with the base. wood can vary in thickness so you want to make sure you get it exactly the width and length of your table top. Assemble the top with your 2x12's using Pocket Holes and 2 1/2" Pocket Hole Screws.



2

## Assemble the Ends

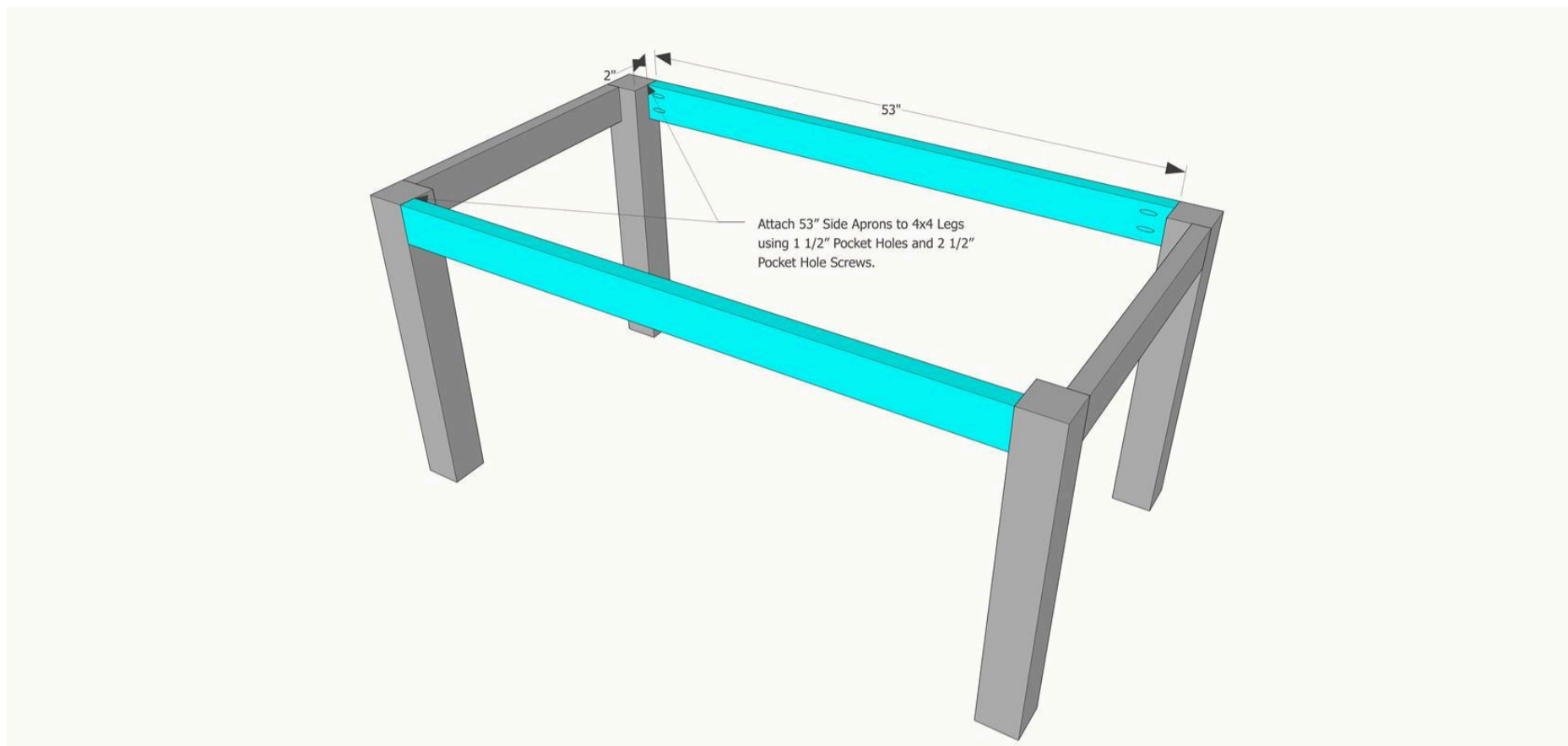
Assemble the ends of the table by attaching the legs to the end aprons with Pocket Holes and 2 1/2" Pocket Hole Screws. The end apron should be flush with the front of the legs. Build 2 of these.



### 3

#### Attach Side Aprons

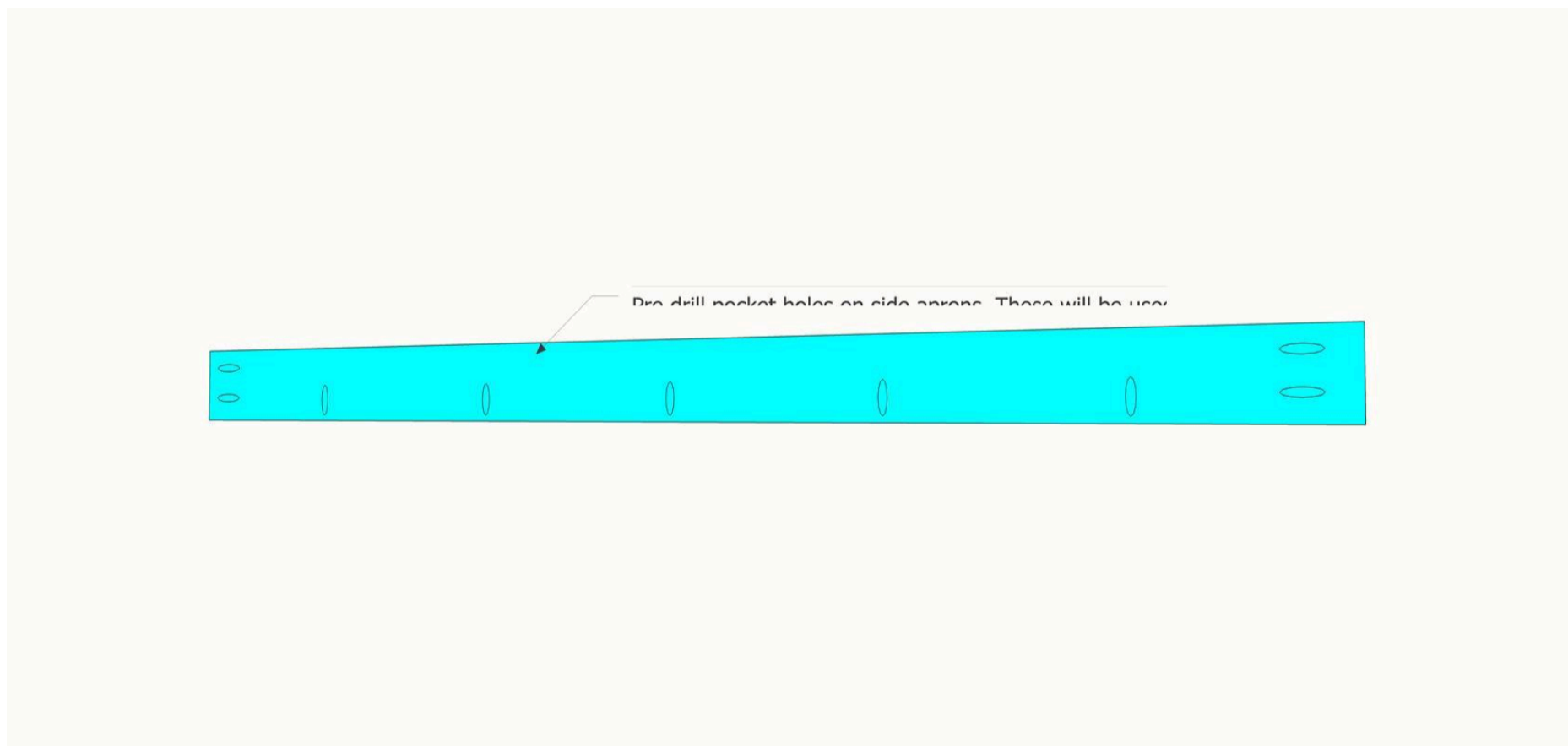
Attach the side aprons to the legs using Pocket Holes and 2 1/2" Pocket Hole Screws. The side aprons will also be flush with the front of the legs.



### 4

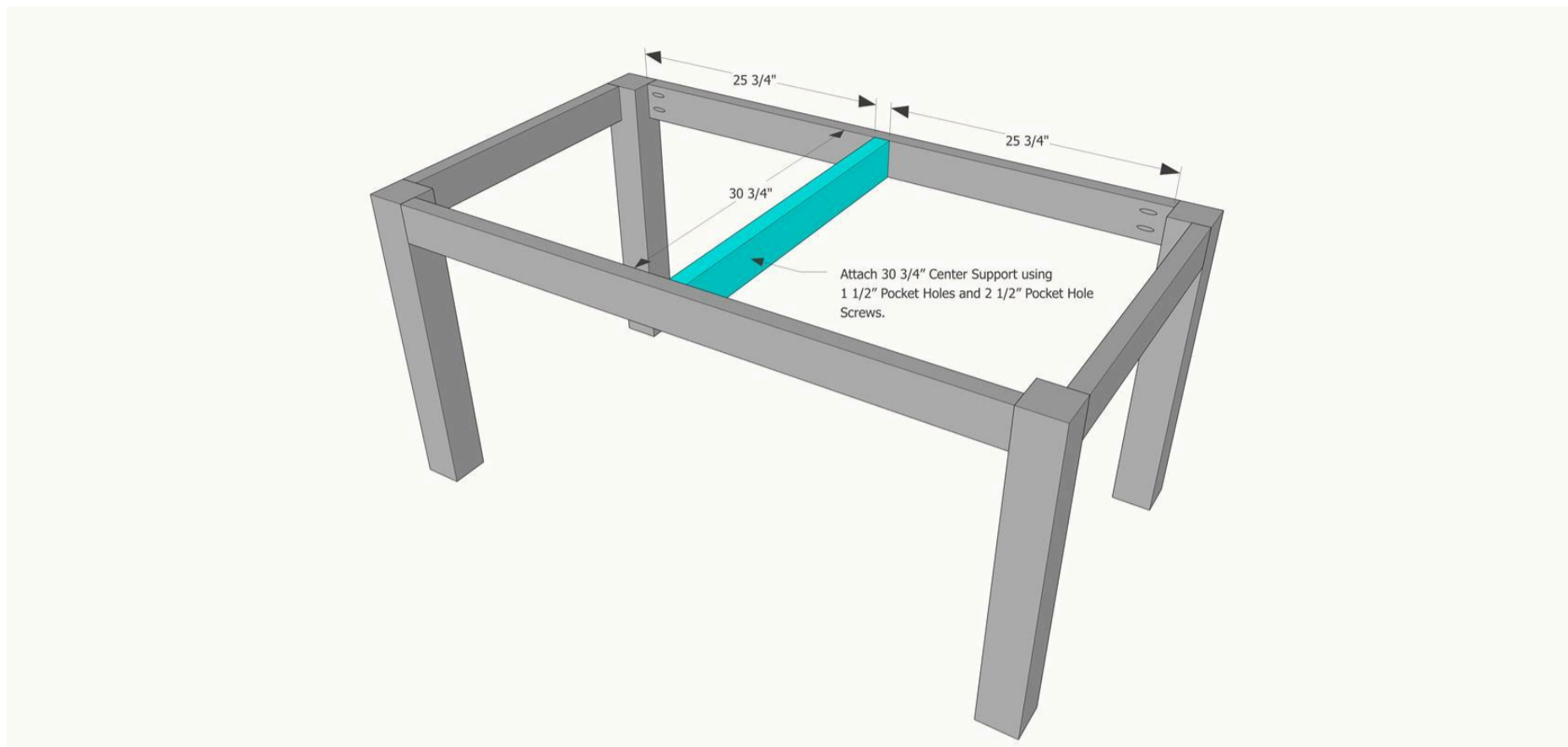
#### Pre Drill Pocket Holes

In order to attach the table top to the base of the table, before attaching your apron pieces to the legs, pre drill Pocket Holes that will allow the screws to go through the apron and into the table top.

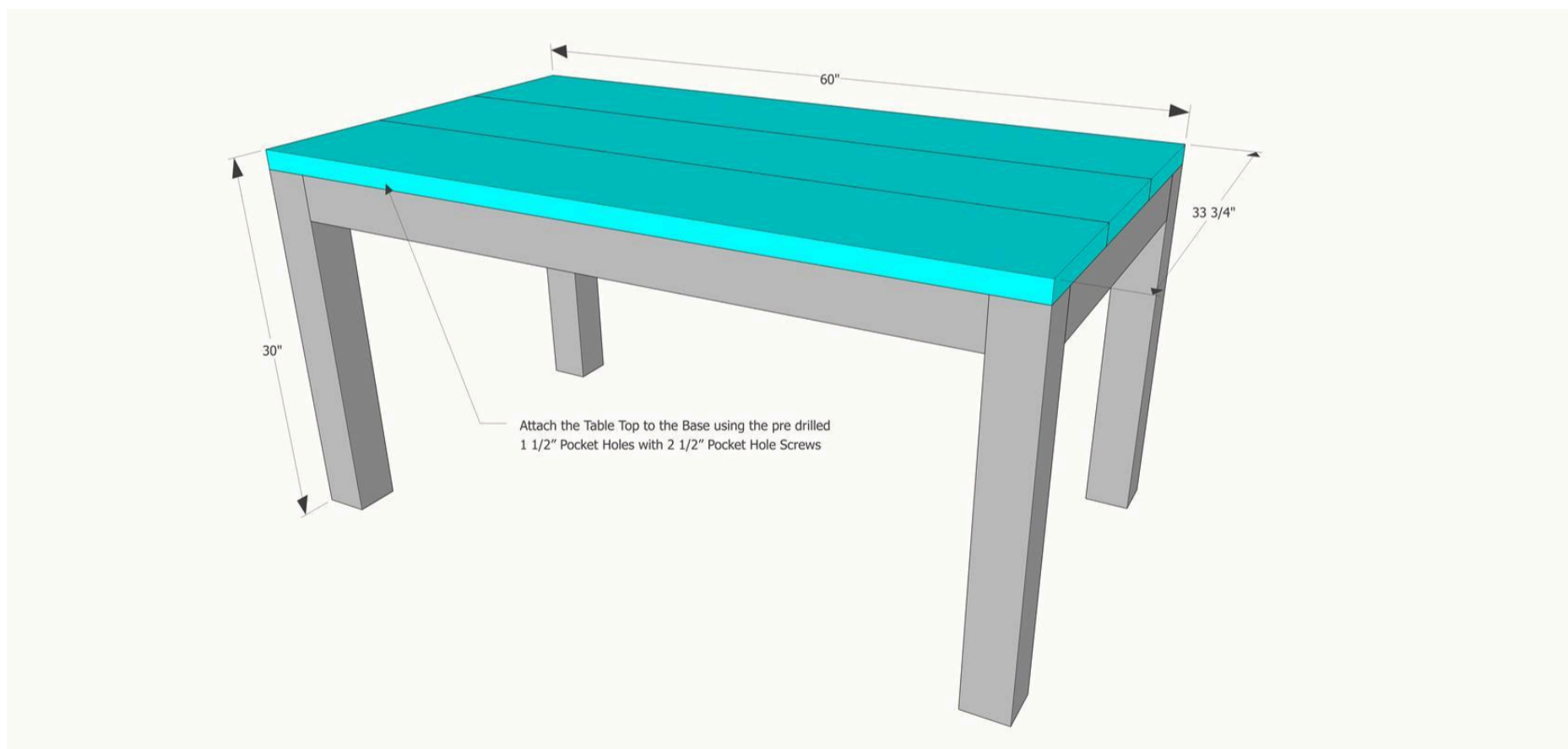


**5****Attach Center Support**

Attach the center support between the two side aprons using Pocket Holes and Pocket Hole Screws.

**6****Attach Table Top to Base**

Using 2 1/2" Pocket Hole Screws, attach the table top to the base using the predrilled Pocket Holes.



**7****Finish the Table**

Sand the table starting with 100 grit sandpaper slowly working your way up to 220 grit. Vacuum and wipe down the table with a damp rag to remove any sawdust. Paint or stain in the color of your choice. I used Minwax Weathered Oak. Seal the table.

