

Farmhouse X Base Table

By **Cherished Bliss**

Difficulty

Moderate

This X Style Farmhouse Dining Table is the perfect solution if you are limited on space but still desire a full size table. It is designed a little bit thinner than most tables, but still able to seat 6!



Tools

Kreg Tools



[Kreg® Pocket-Hole Jig 720](#)

Other Tools

Miter Saw

Square

Table Saw

Tape Measure

Level

Nail Gun

Sander

Threaded Insert & Bolts

Materials

Wood Products

2 Board , 2x10 , 144"

1 Board , 2x4 , 120"

2 Board , 4x4 , 96"

1 Board , 1x4 , 72"

Hardware & Supplies

1 Box Of 2 1/2" Coarse Kreg Jig Screws

1 Box Of 2 1/2" Wood Screws

1 Countersink Drill Bit

2 Clamps

Cut List & Parts

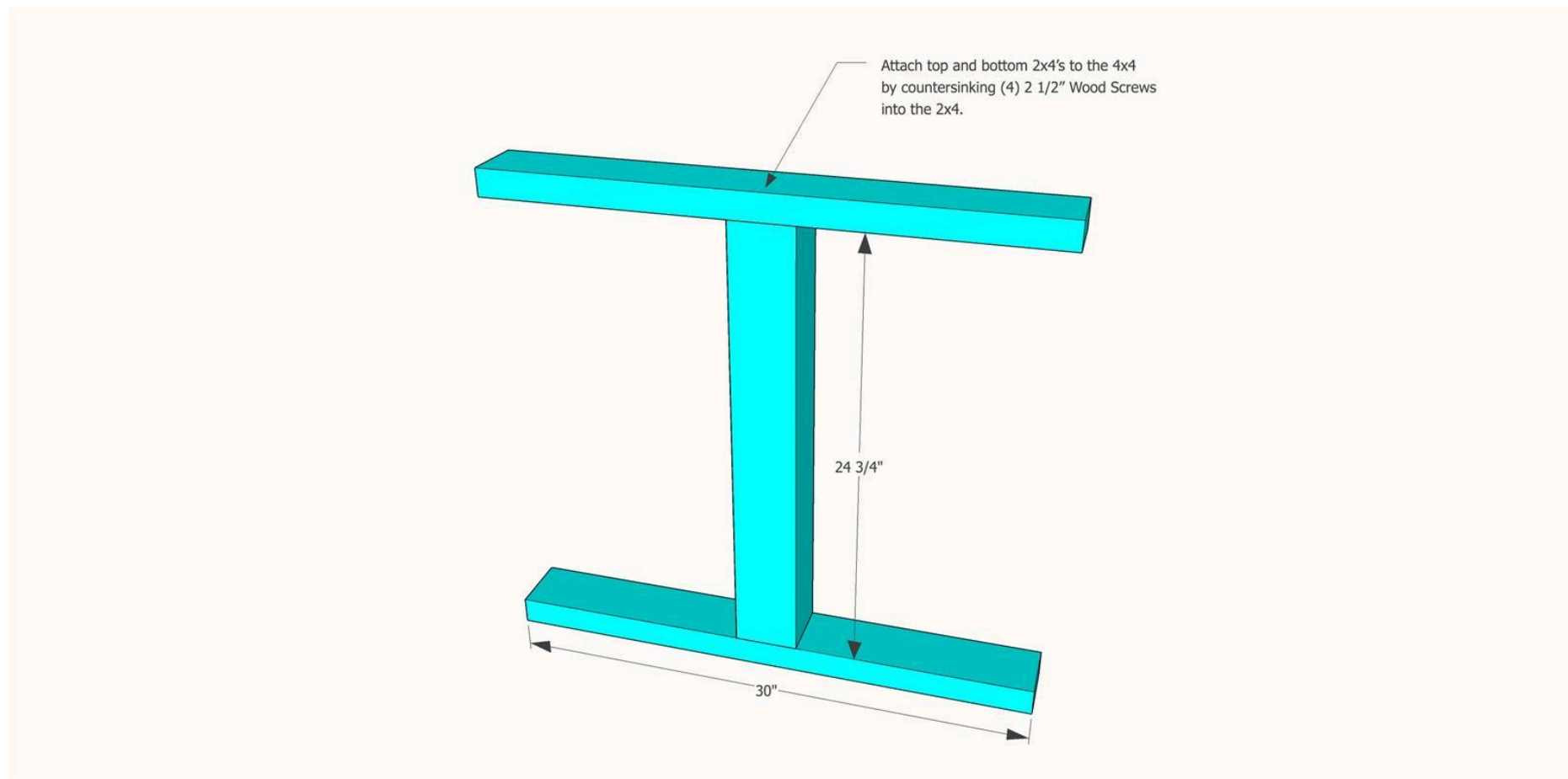
- 4 Leg Base , 2x4x30"
- 2 Leg Support , 4x4x24 3/4"
- 8 X Supports , 4x4x18 1/8"
- 4 Table Top Boards , 2x10x72"

Directions

1

Assemble Legs

Assemble the main structure of the legs by attaching the 2x4's to the 4x4's using wood glue and 2 1/2" wood screws (countersunk). Make two legs.

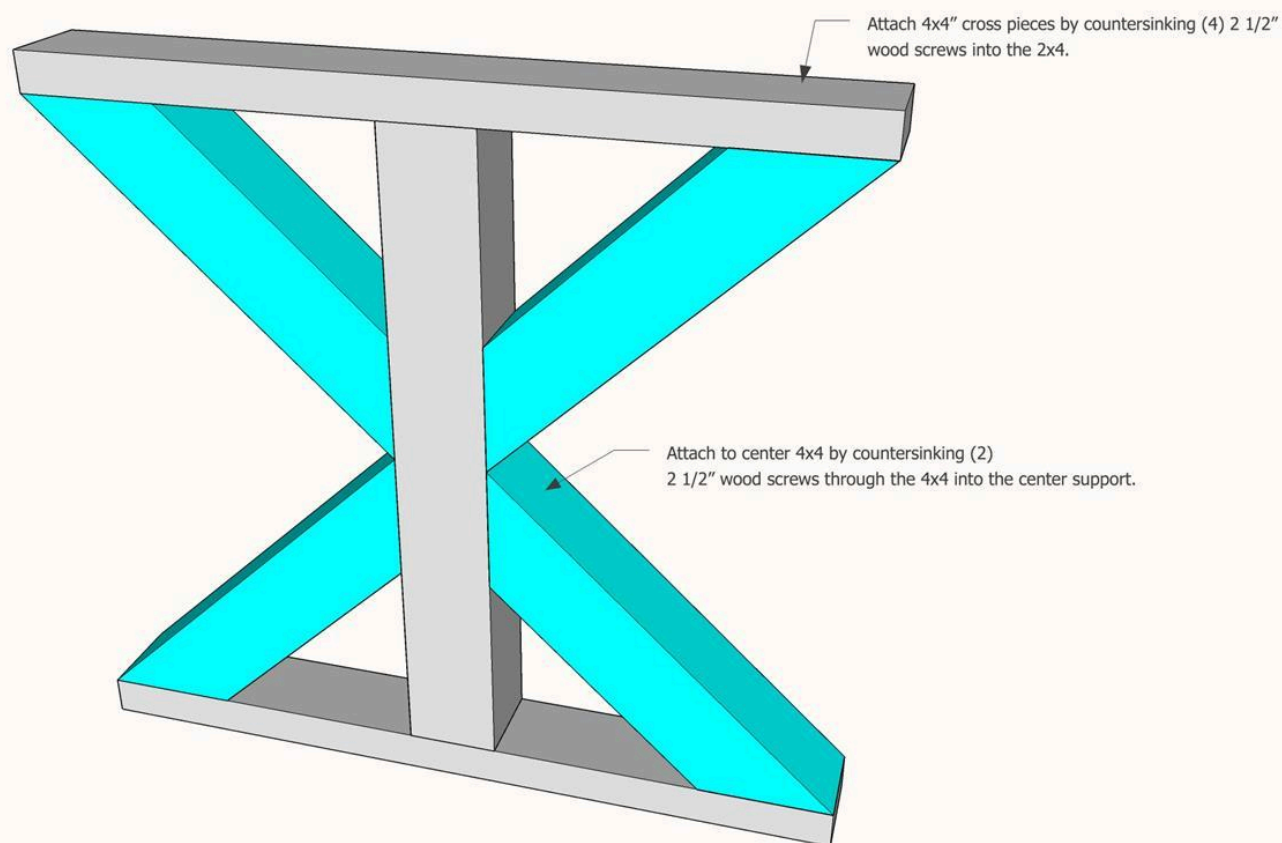


2

Add "X" Support

Attach the X supports (4x4's) to the main structure of the legs with wood glue and countersinking (4) 2 1/2" wood screws through the bottom of the leg, and attach the center of the 4x4 to the main leg structure by countersinking 2 1/2" wood screws into the vertical support. The 47 degree angle rests against the 2x4, and the 43 degree angle rests against the 4x4.

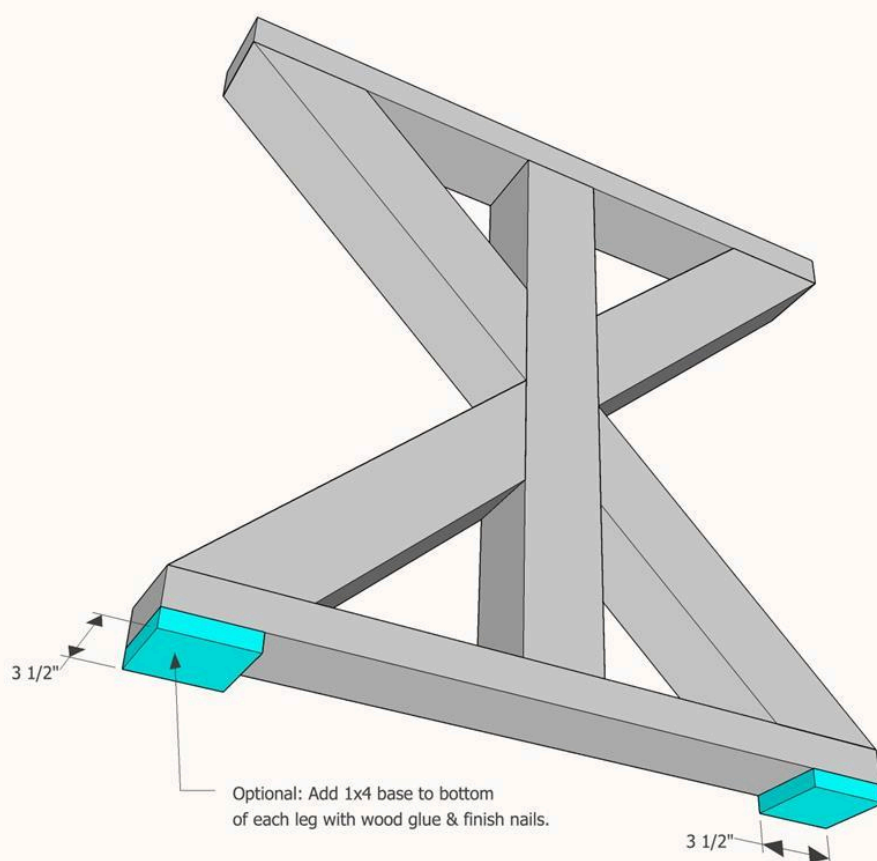
X Supports should be cut with one side at a 43 degree angle, and the other at a 47 degree angle. The longest side should measure 18 1/8"



3

Add Feet

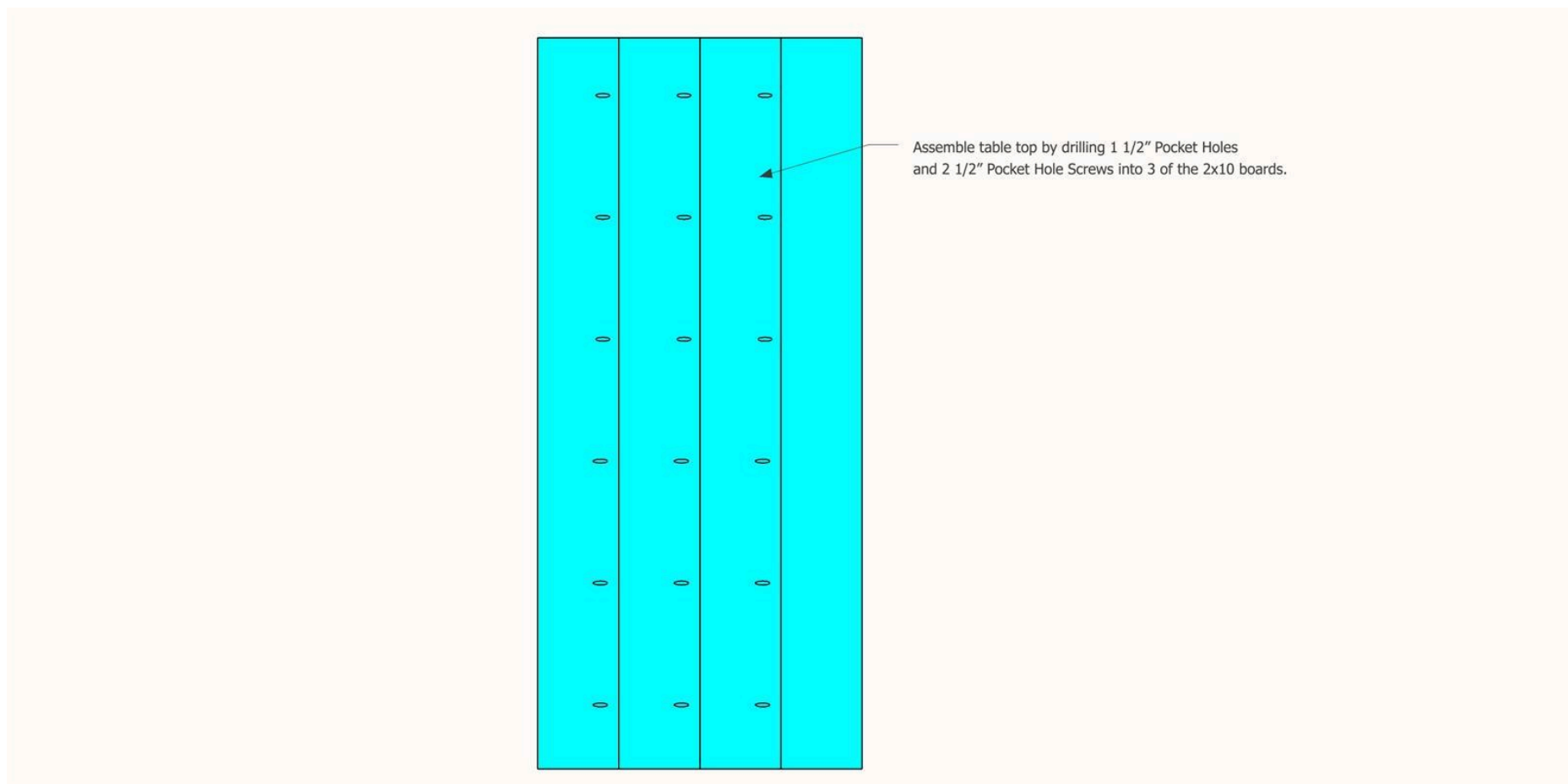
Attach the feet to the bottom of the leg base using wood glue and finish nails.



4

Assemble Table Top

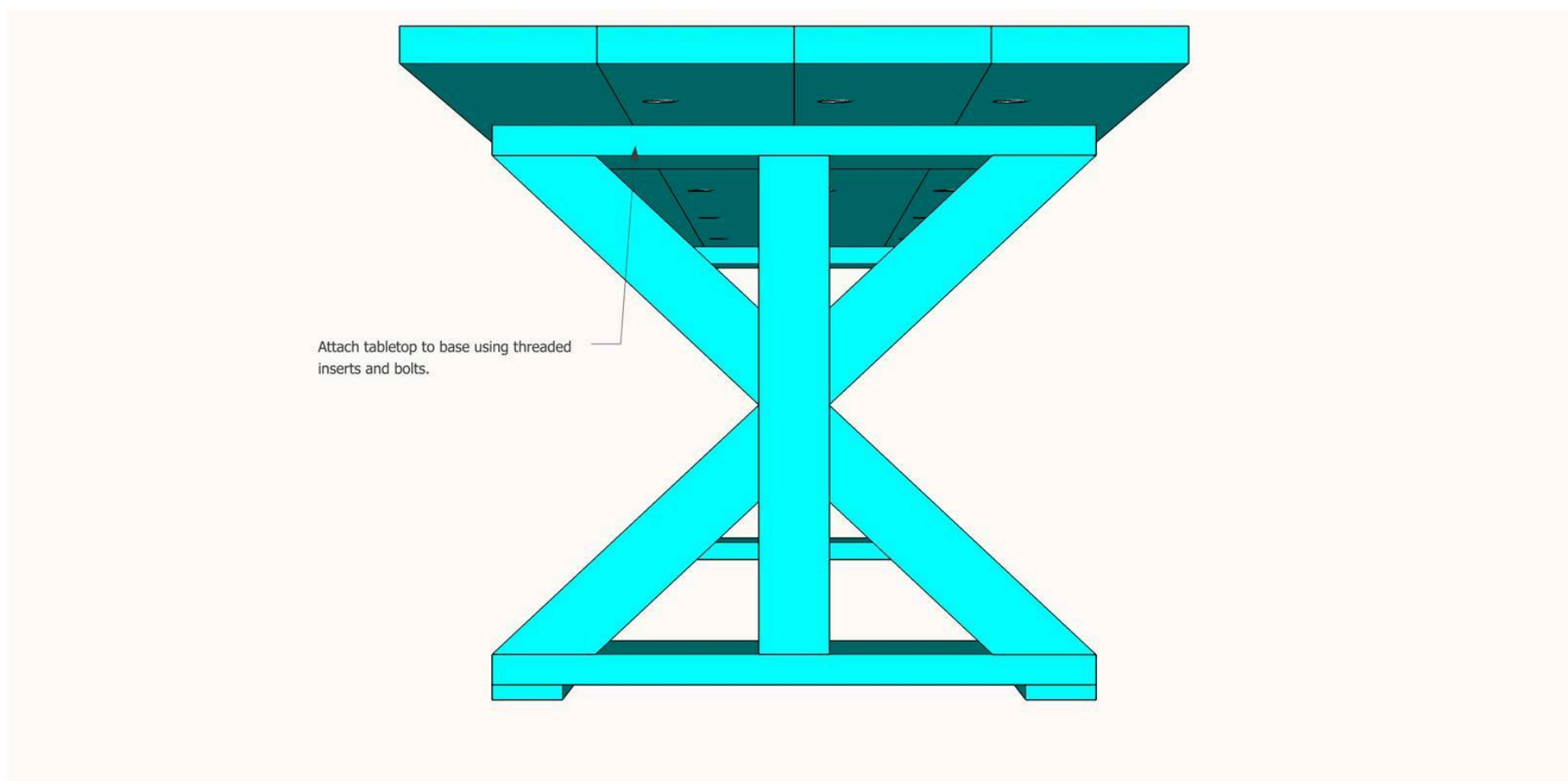
Rip down the 2x10 boards to 8" wide total. Make sure to cut from both sides of the board in order to remove the rounded edges and give it a cleaner look. Assemble the table top by adding 1 1/2" Pocket Holes and 2 1/2" Pocket Hole Screws evenly spaced on 3 of the 2x10's.



5

Attach Table Top to Base

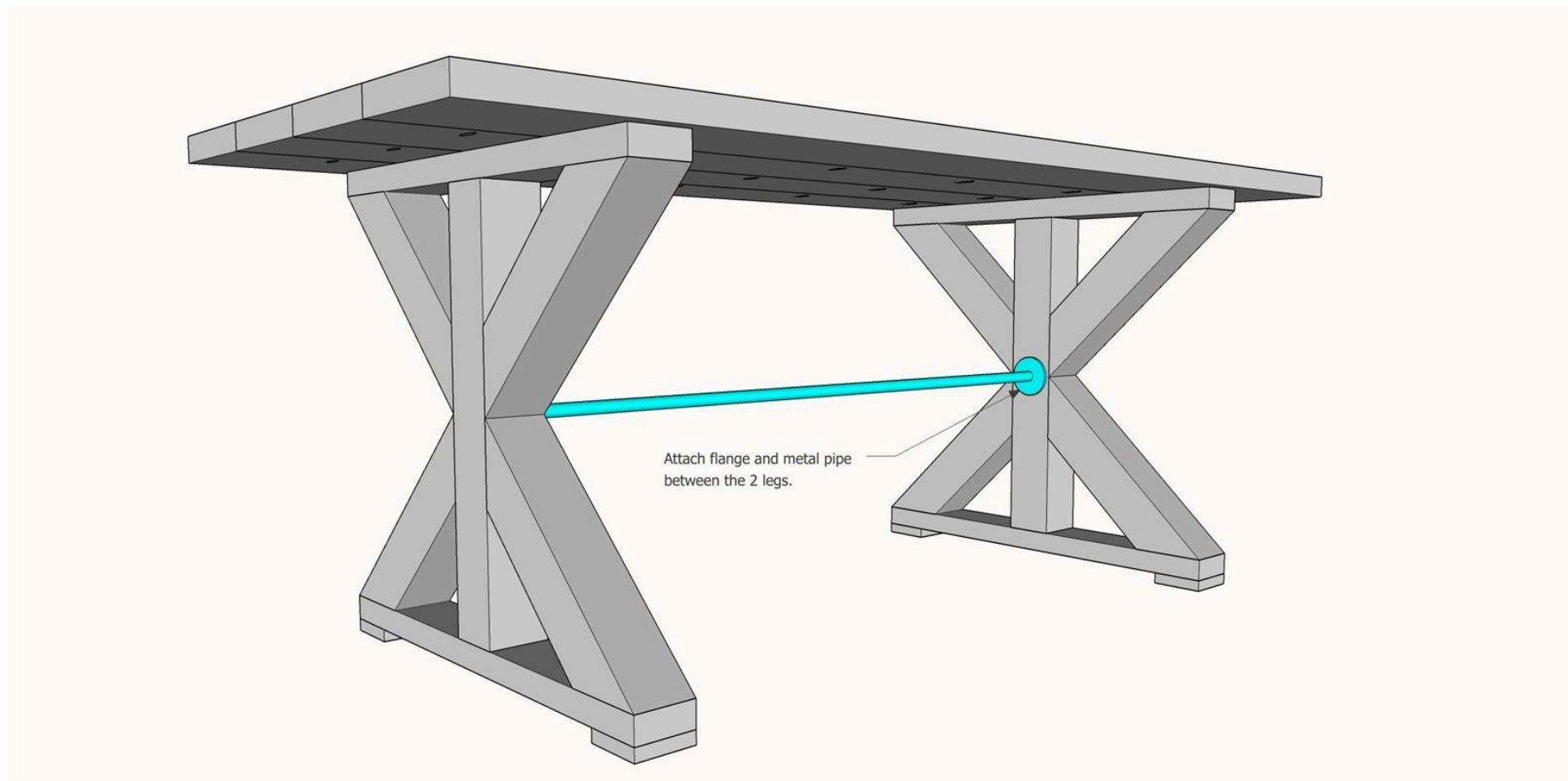
Attach the table top to the base by adding threaded inserts into the tabletop and drilling holes through the top of the leg base. Attach with bolts. This allows for easy disassembly. If you will not be needing to disassemble then you can attach directly to the base with wood screws and wood glue.



6

Attach Center Support

Attach the flanges and metal pipe to the inside of the legs, making sure to keep level.



7

Finish the Table

Finish the table by filling all holes with wood filler and painting or staining in the color of your choice. Make sure to add a protective coat to the entire table in order to keep it safe from food and spills.

