

# DIY Small Buffet

By **Cherished Bliss**

Difficulty

Moderate

This simple and easy to build Small Kitchen Buffet is the perfect way to add storage without taking up a lot of room. It can easily be customized to fit any style but is shown here with an industrial farmhouse finish.





# Tools

## Kreg Tools



## Other Tools

Circular Saw (cordless)

Miter Saw

Square

Table Saw

Tape Measure

Drill (cordless)

Nail Gun

Sander

# Materials

## Wood Products

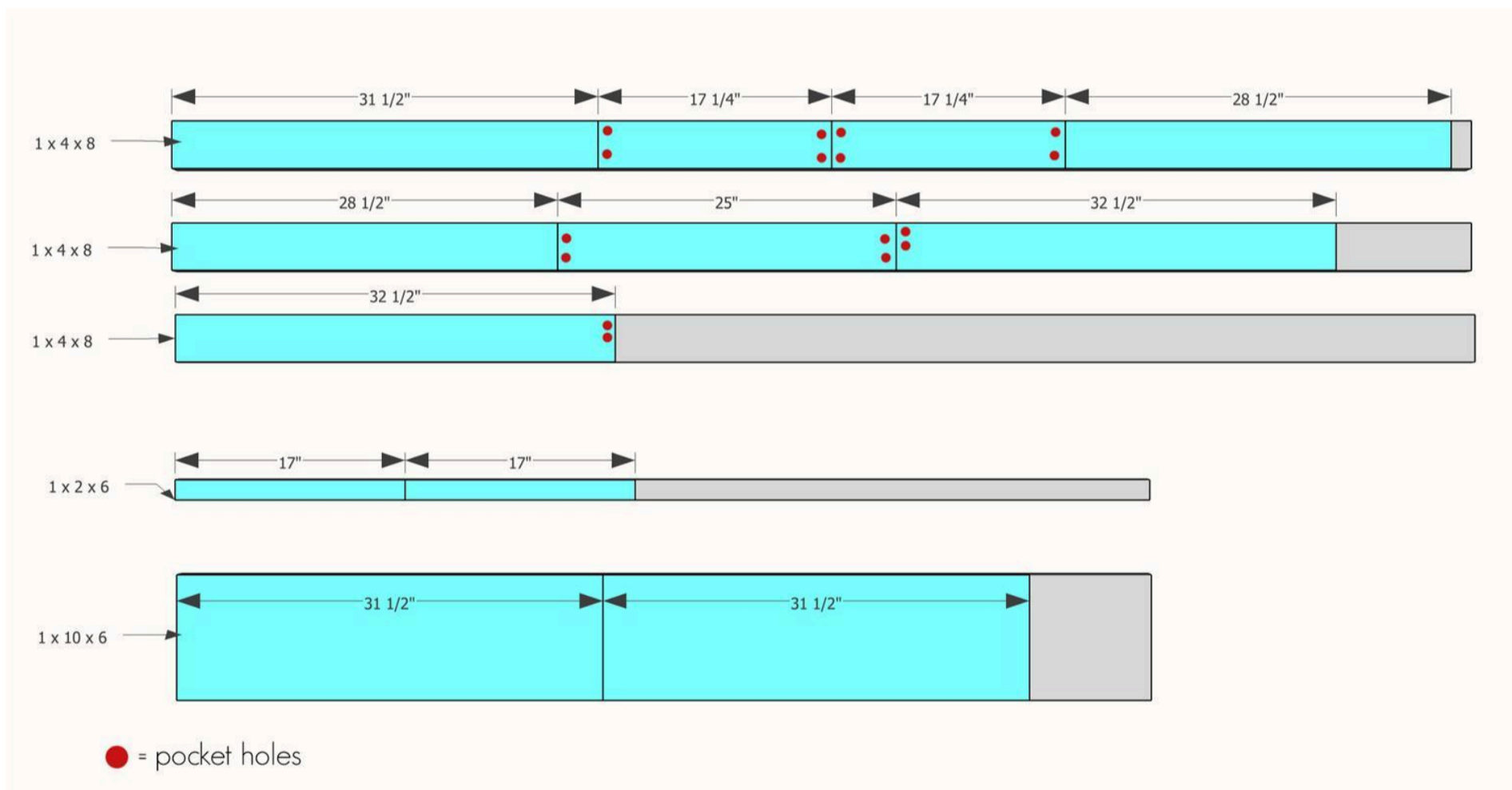
- 3** Board , 1x4 , 96"
- 1** Plywood , 3/4" Thick , Full Sheet
- 1** Plywood , 1/2" Thick , Half Sheet
- 1** Plywood , 1/4" Thick , Half Sheet
- 1** Board , 1x2 , 72"
- 1** Board , 1x10 , 72"

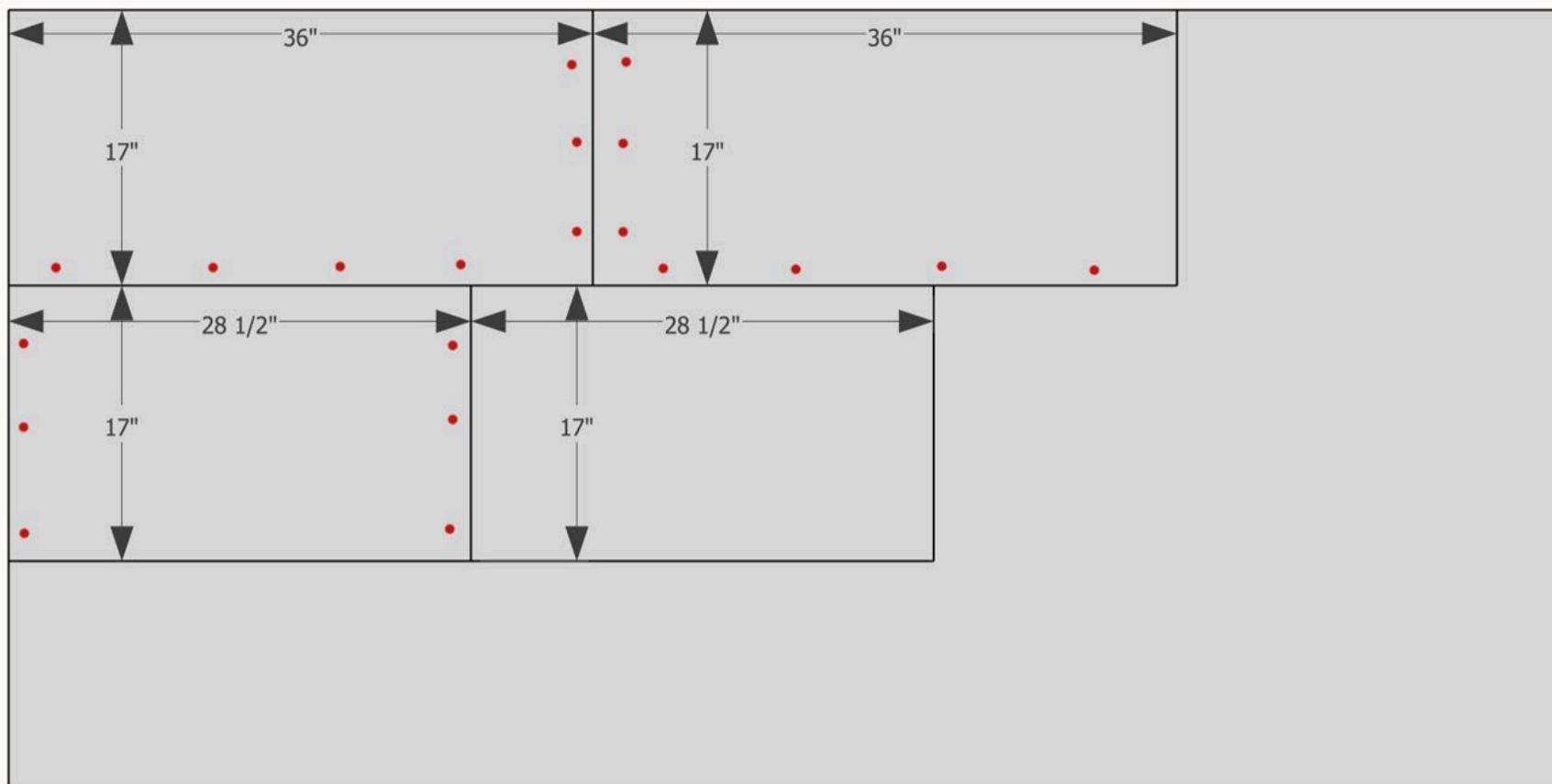
## Hardware & Supplies

- 2** Hinges
- 1** Black Barrel Bolt
- 40** 1 1/4" Fine Kreg Jig Screws
- 150** 1 1/4" Finish Nails
- 20** 1/2" Finish Nails
- 1** Wood Glue

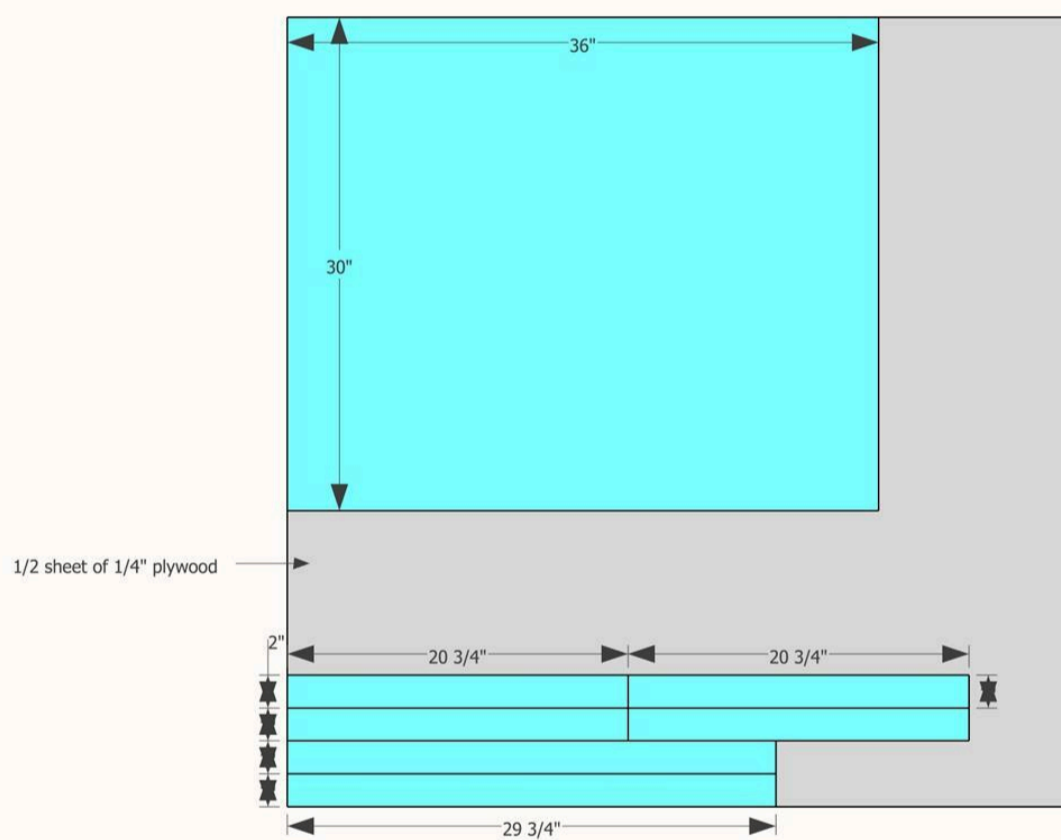
# Cut List & Parts

- 2 Side Panels , 3/4" X 17" X 36"
- 2 Shelves , 3/4" X 17" X 28 1/2"
- 2 Top Support Boards , 1" X 4" X 28 1/2"
- 2 Bottom Trim Pieces , 1" X 4" X 17 1/4"
- 1 Bottom Trim Piece , 1" X 4" X 31 1/2"
- 2 Shelf Cleats , 1" X 2" X 17"
- 2 Facing - Side Pieces , 1" X 4" X 32 1/2"
- 1 Facing - Top Piece , 1" X 4" X 25"
- 1 Back Panel , 1/4" X 30" X 36"
- 2 Top Boards , 1" X 10" X 31 1/2"
- 2 Door Side Trim Pieces , 1/4" X 2" X 29 3/4"
- 4 Door Trim Pieces , 1/4" X 2" X 20 3/4"
- 1 Door , 1/2" X 24 3/4" X 29 3/4"





**3/4" 4'x8' plywood** ● = pocket holes



# Directions

1

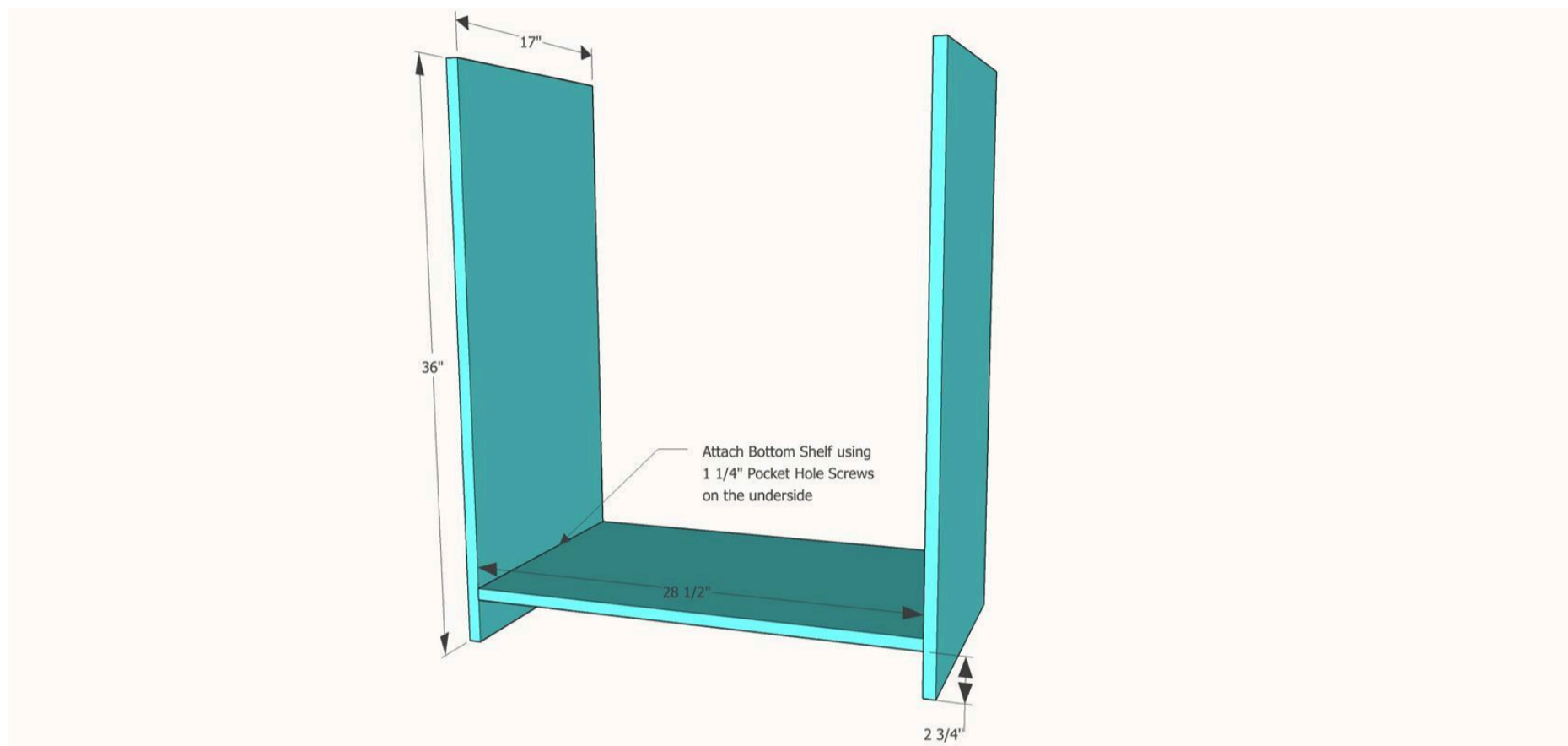
## Step 1: Cuts and Pocket Holes

Make Cuts and create pocket holes where indicated by the red dots in the provided cut list. However, I do suggest cutting as you go in order to keep the project square.

2

## Step 2: Form Box

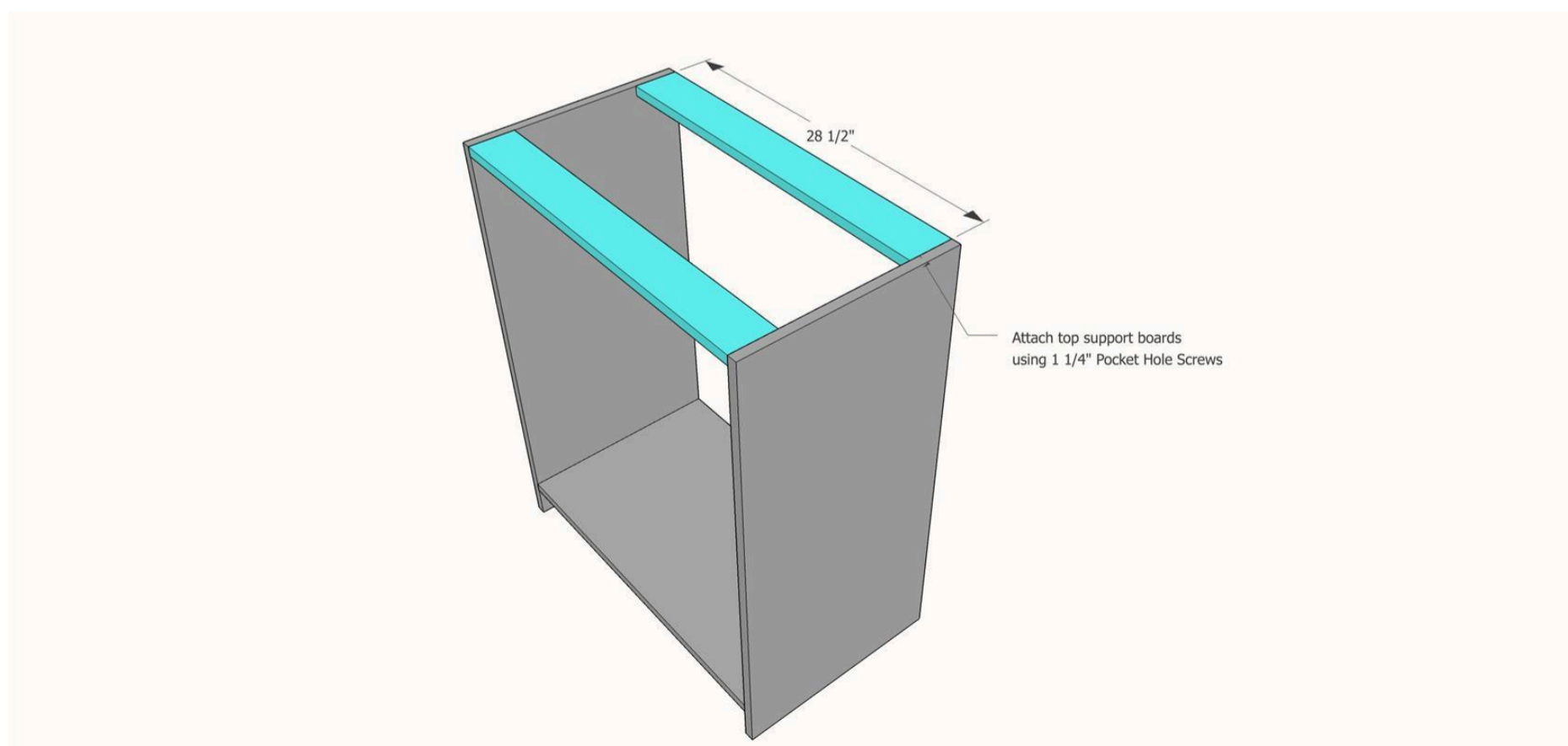
Using the 2 side panels and 1 shelf, attach the bottom shelf to the side panels with 1 1/4" pocket hole screws and wood glue.



3

## Step 3: Attach Top Supports

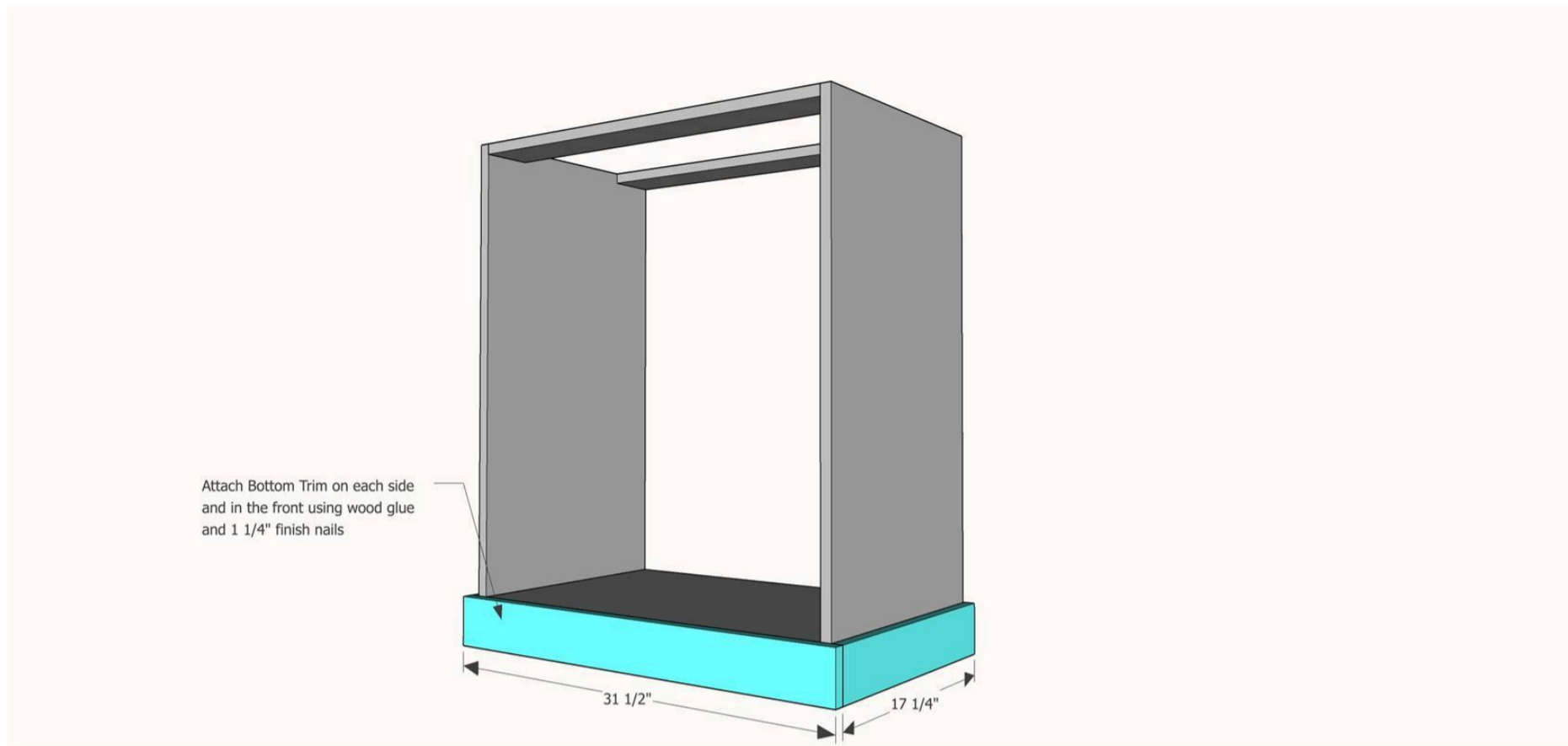
Attach top support boards to side panels using 1 1/4" Pocket Hole Screws.



4

### Step 4: Add Bottom Trim

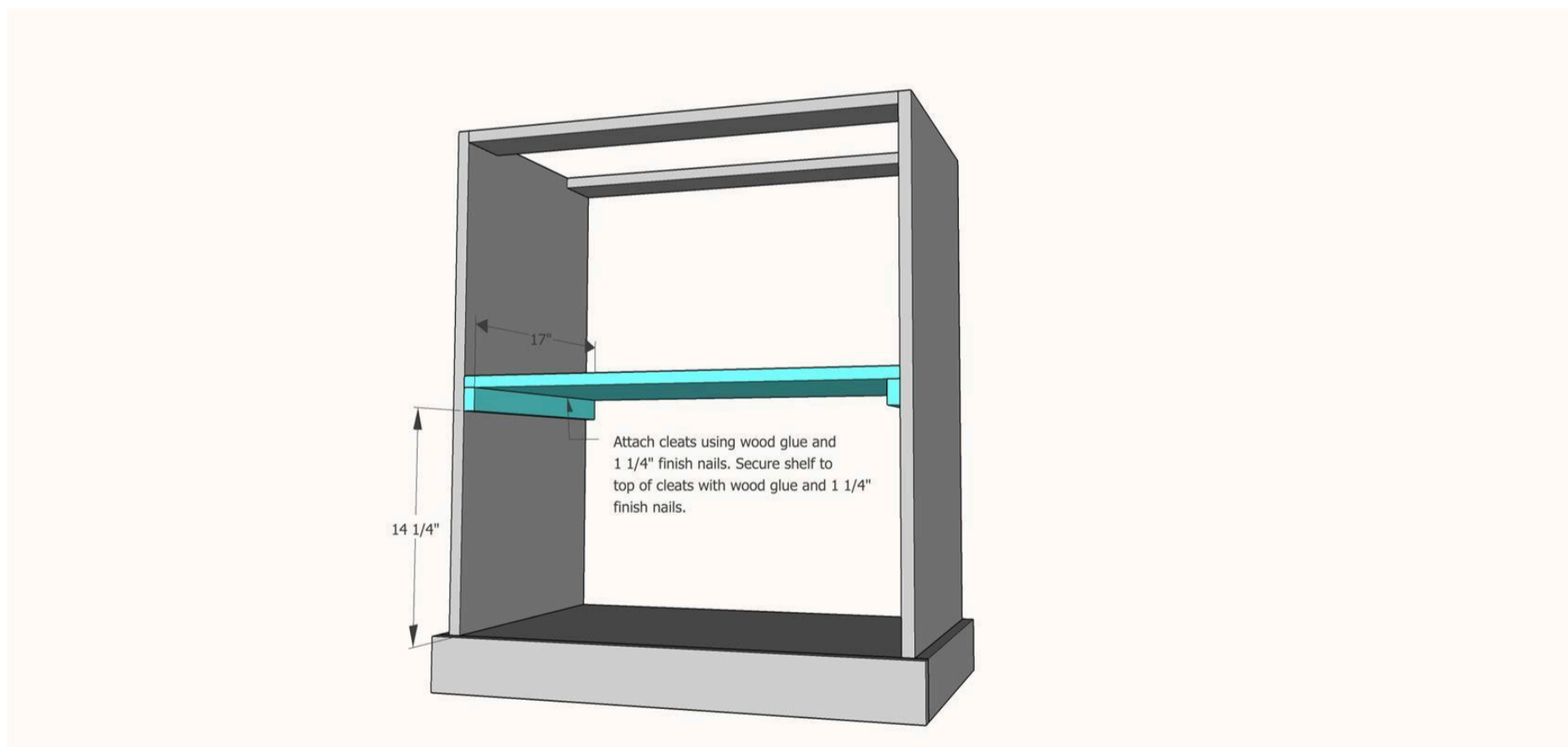
Add the bottom trim to the bottom, flush with the side panels using wood glue and 1 1/4" finish nails.



5

### Step 5: Add Shelf

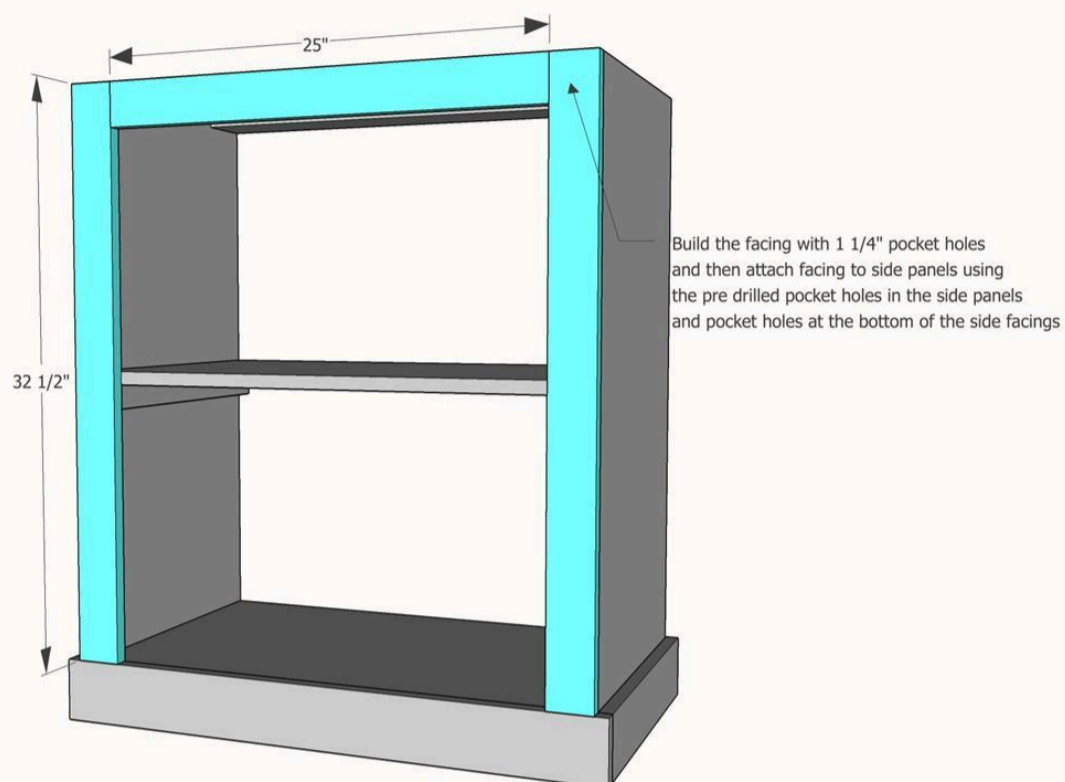
Attach cleats using wood glue and 1 1/4" finish nails. Secure shelf to top of cleats with wood glue and 1 1/4" finish nails.



6

### Step 6: Attach Facing

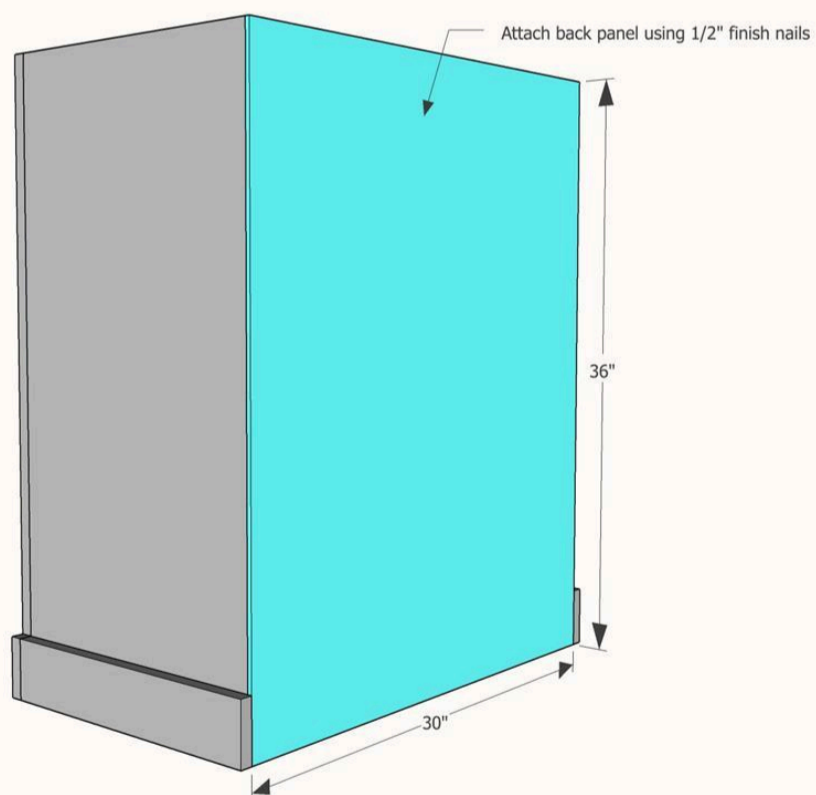
Build the facing with 1 1/4" pocket holes and then attach facing to side panels using the pre drilled pocket holes in the side panels and pocket holes at the bottom of the side facings.



7

### Step 7: Attach Back Panel

Attach Back Panel with 1/2" finish nails.



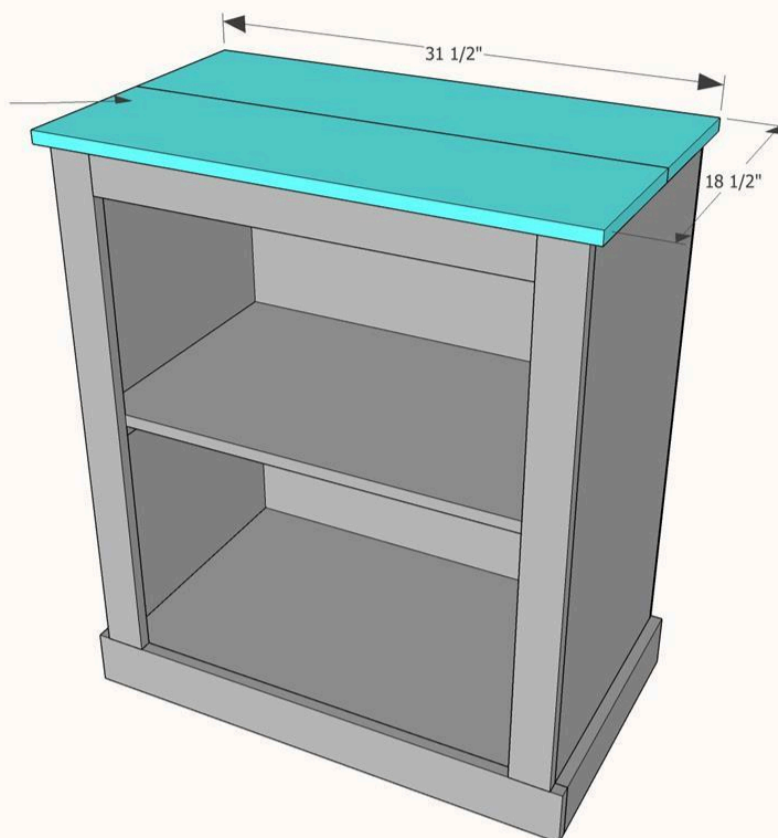


8

### Step 8: Attach top

Join the (2) 1" x 10" x 32 1/2" boards with 1 1/4" Pocket Hole Screws and wood glue. Attach the top to the side panels with pre drilled pocket holes in the side panels.

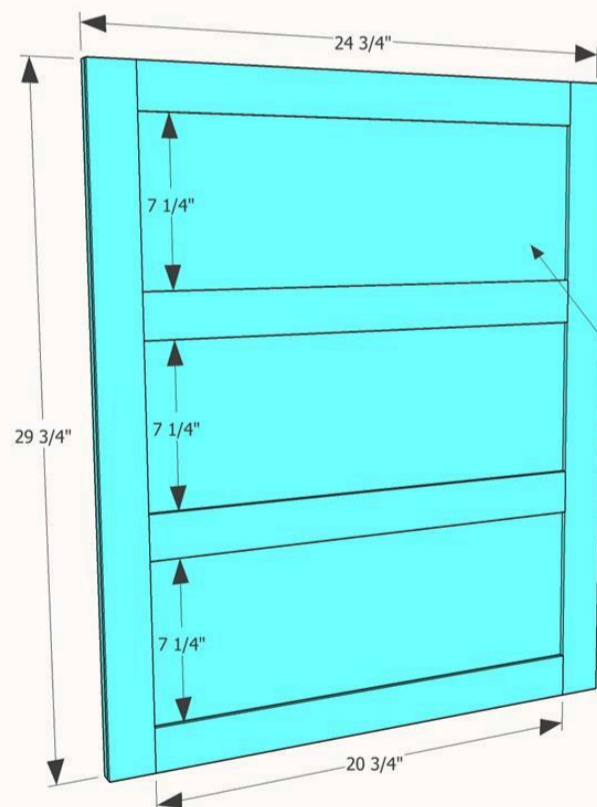
Join the (2) 1" x 10" x 32 1/2" boards with 1 1/4" Pocket Hole Screws and wood glue. Attach the top to the side panels with pre drilled pocket holes in the side panels.



9

### Step 9: Build Door

Build door by attaching the 2" plywood strips to the 1/2" panel with wood glue and 1/2" finish nails.



Build door by attaching the 2" plywood strips to the 1/2" panel with wood glue and 1/2" finish nails.

10

### Step 10: Add Hardware

Attach the door with your T hinges leaving an 1/8" gap around the perimeter of the door. Then attach the sliding barrel bolt to the door. Finish with your desired style and enjoy!

