

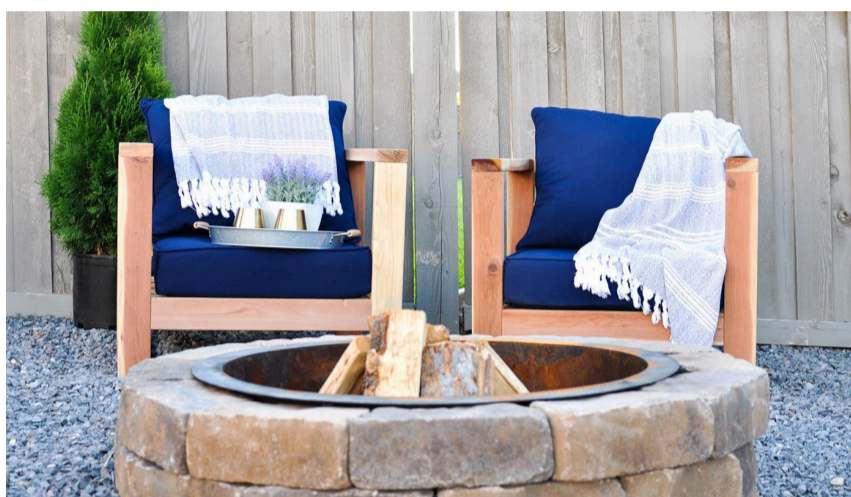
DIY Modern Outdoor Chair

By **Cherished Bliss**

Difficulty

Easy

Build these comfy Modern Outdoor Chairs using only 2x4's. This chair sits a little low to the ground making it extremely comfortable to kick your feet out and relax around a fire or enjoy an evening with friends!



Tools

Kreg Tools



[Kreg® Pocket-Hole Jig 720](#)

Other Tools

Miter Saw

Square

Table Saw

Drill (cordless)

Impact Driver

Sander

Materials

Wood Products

4 Redwood Board , 2x4 , 144"

Hardware & Supplies

2 Boxes Kreg HD Screws (125 Ct)

1 Box 2 1/2" Outdoor Wood Screws

Cut List & Parts

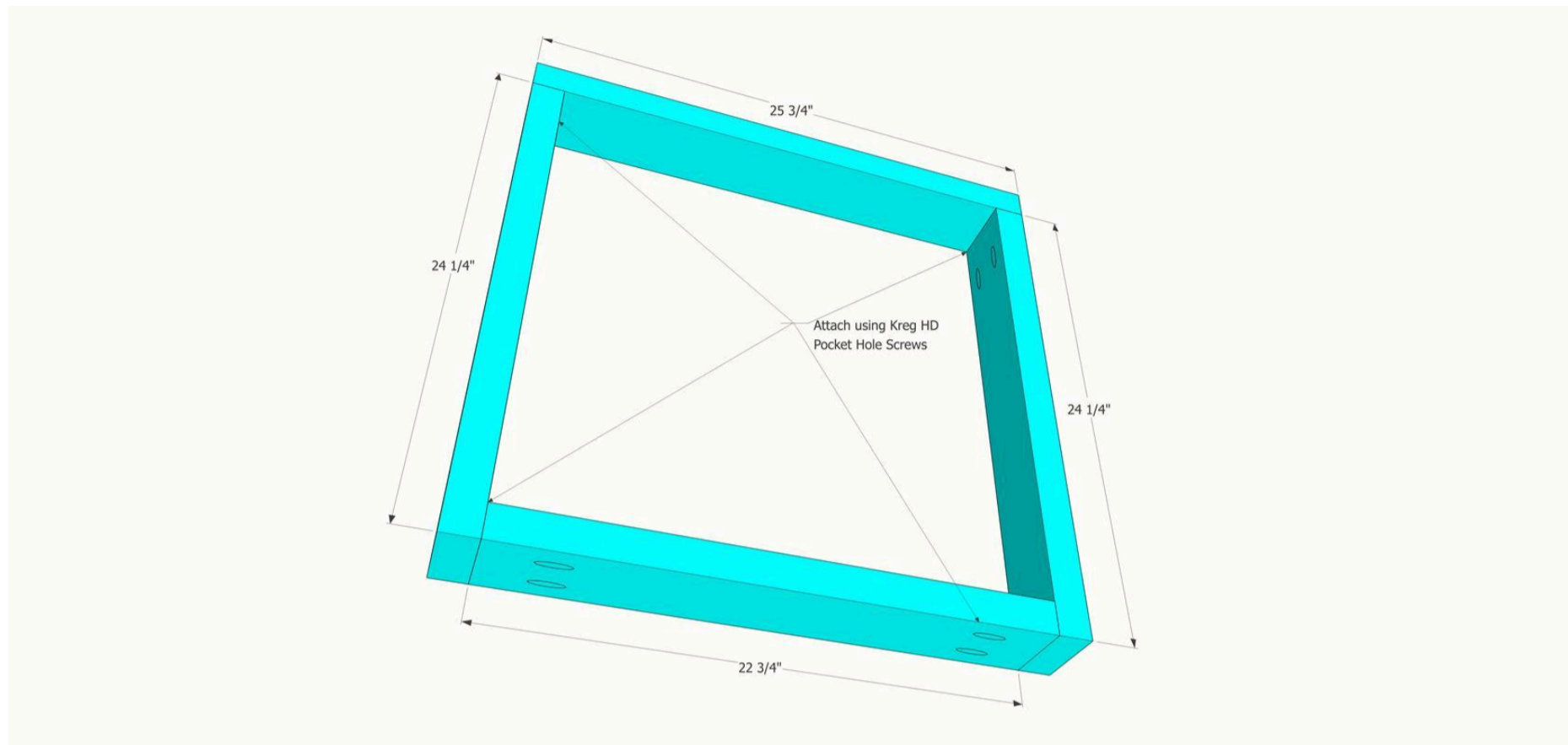
- 4 Seat Back Supports , 2"x4"x24"
- 4 Seat Supports , 2"x4"x24"
- 2 Arm Boards , 2"x4"x 25 3/4"
- 4 Arm Boards , 2"x4"x24 1/4"
- 2 Arm Boards , 2"x4"x22 3/4"
- 2 Seat Board Supports , 1 1/2"x1 3/4"x22 3/4"
- 2 Side Supports , 2"x4"x22 3/4"

Directions

1

Build Arms (2)

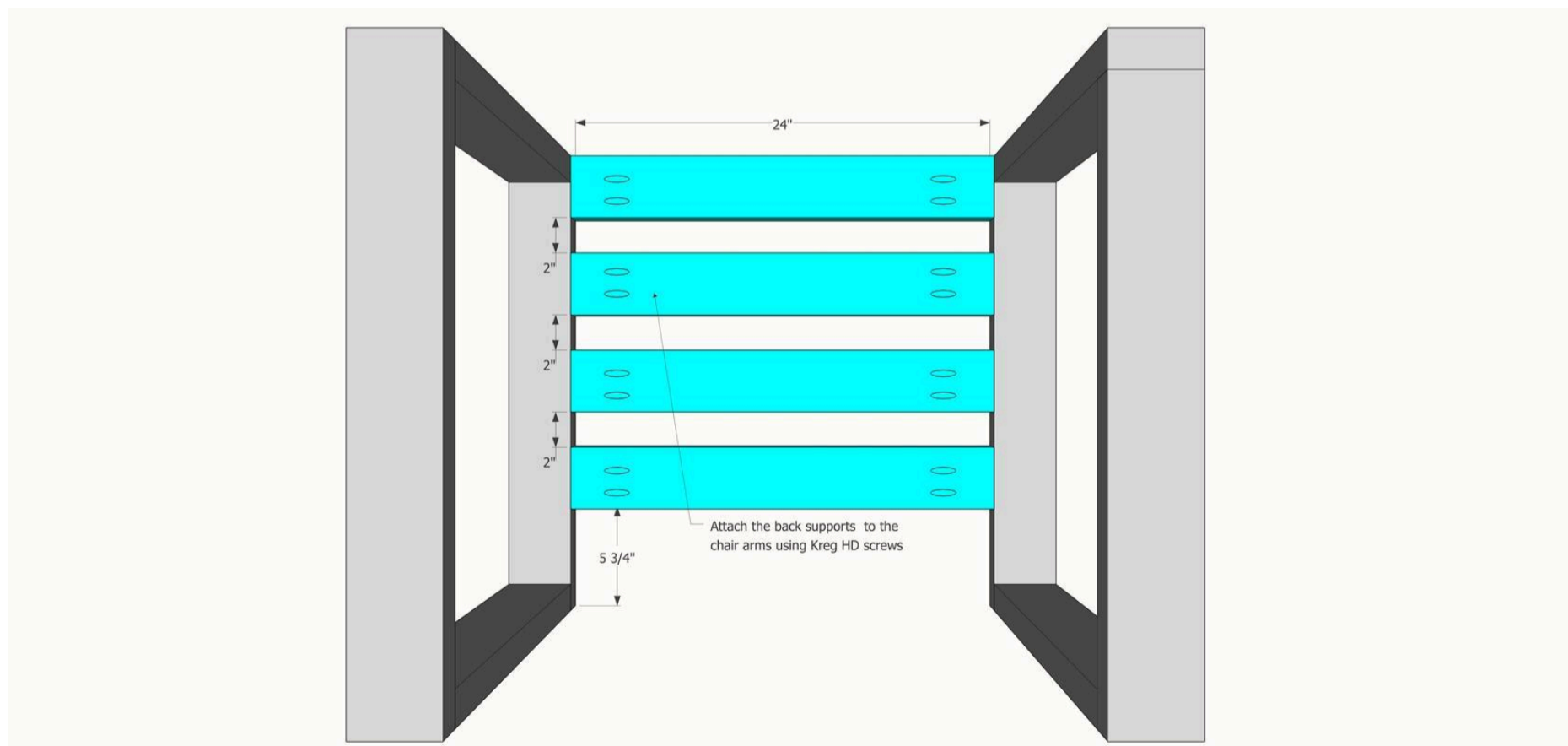
Cut the boards for the arms according to the image. Drill Kreg HD Pocket Holes and assemble the pieces as shown using Kreg HD Screws.



2

Attach Back Supports

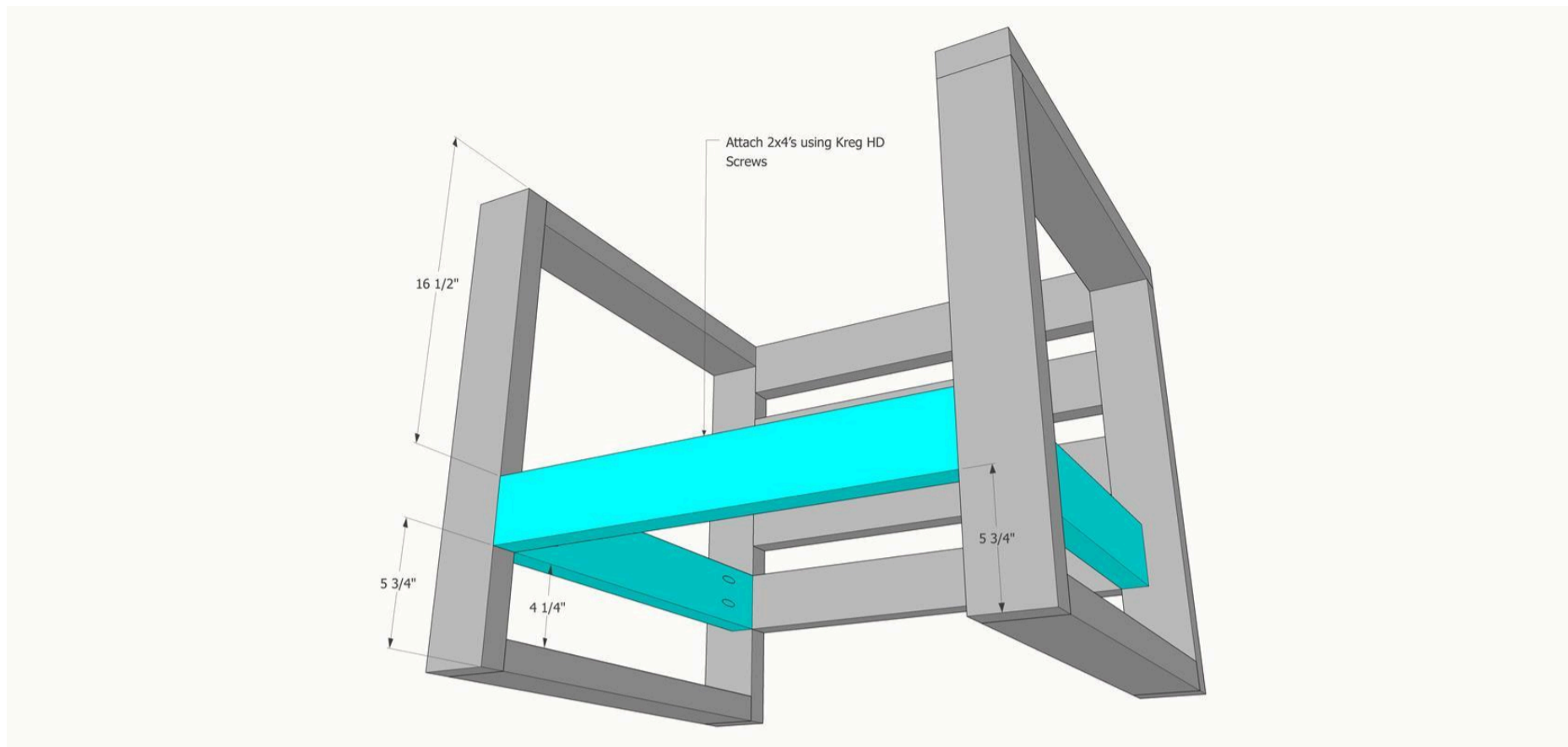
Attach the back supports to the two arms as shown in the diagram using Kreg HD Pocket Holes and Kreg HD Pocket Hole Screws.



3

Attach the Seat Facing

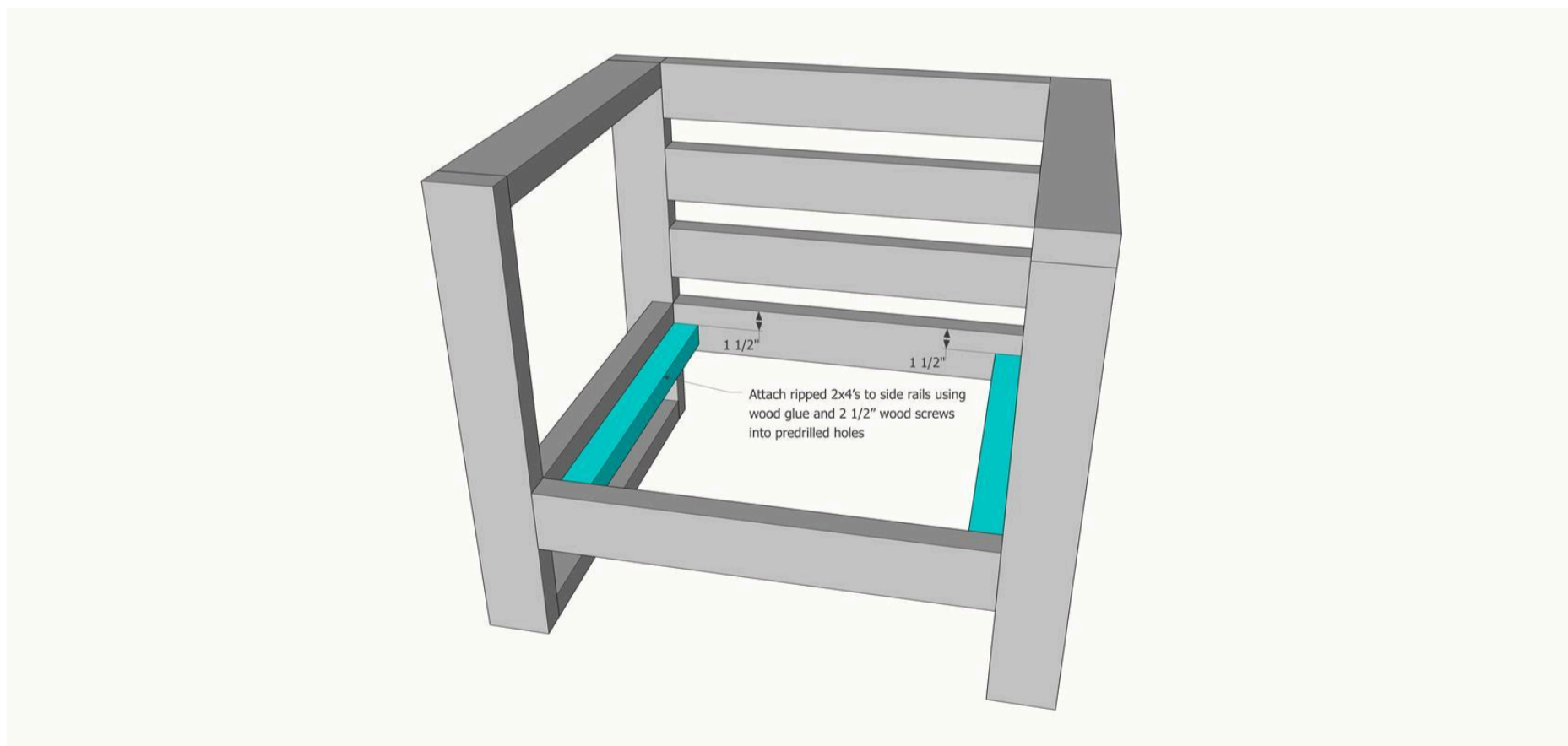
Attach the seat facing to the arms as shown using Kreg HD Pocket Holes and Kreg HD Screws.



4

Cut and Attach Side Rails

In order to get the two side rail supports (1 1/2" x 1 3/4" x 22 3/4") use a table saw to rip a 2x4 cut to 22 3/4" in half. Attach as shown using 2 1/2" outdoor wood screws.



5

Attach Seat Supports

Attach the seat supports to the side rails using 2 1/2" wood screws as shown.

