

Small Space Desk

By **Built by Bec Designs**

Difficulty

Easy

This is the perfect beginner desk build and is a great way to add a desk to a small space.



Tools

Kreg Tools



[Kreg® Pocket-Hole Jig 720PRO](#)



[Zinc Pocket-Hole Screws](#)

Other Tools

Circular saw/table saw

Cordless Drill

Orbital Sander

Measuring Tape

Nail gun

Materials

Wood Products

4 2x2 Pine , 1.5x1.5x4'

2 Edge Glued Pine Board , 1"x24"x6'

1 Plywood , 1/4"x2'x4'

Hardware & Supplies

2 14" Drawer Slides

1 Wood Glue

1 Knob Or Hardware Of Choice

10 Figure 8 Fasteners

1 Forstner Bit

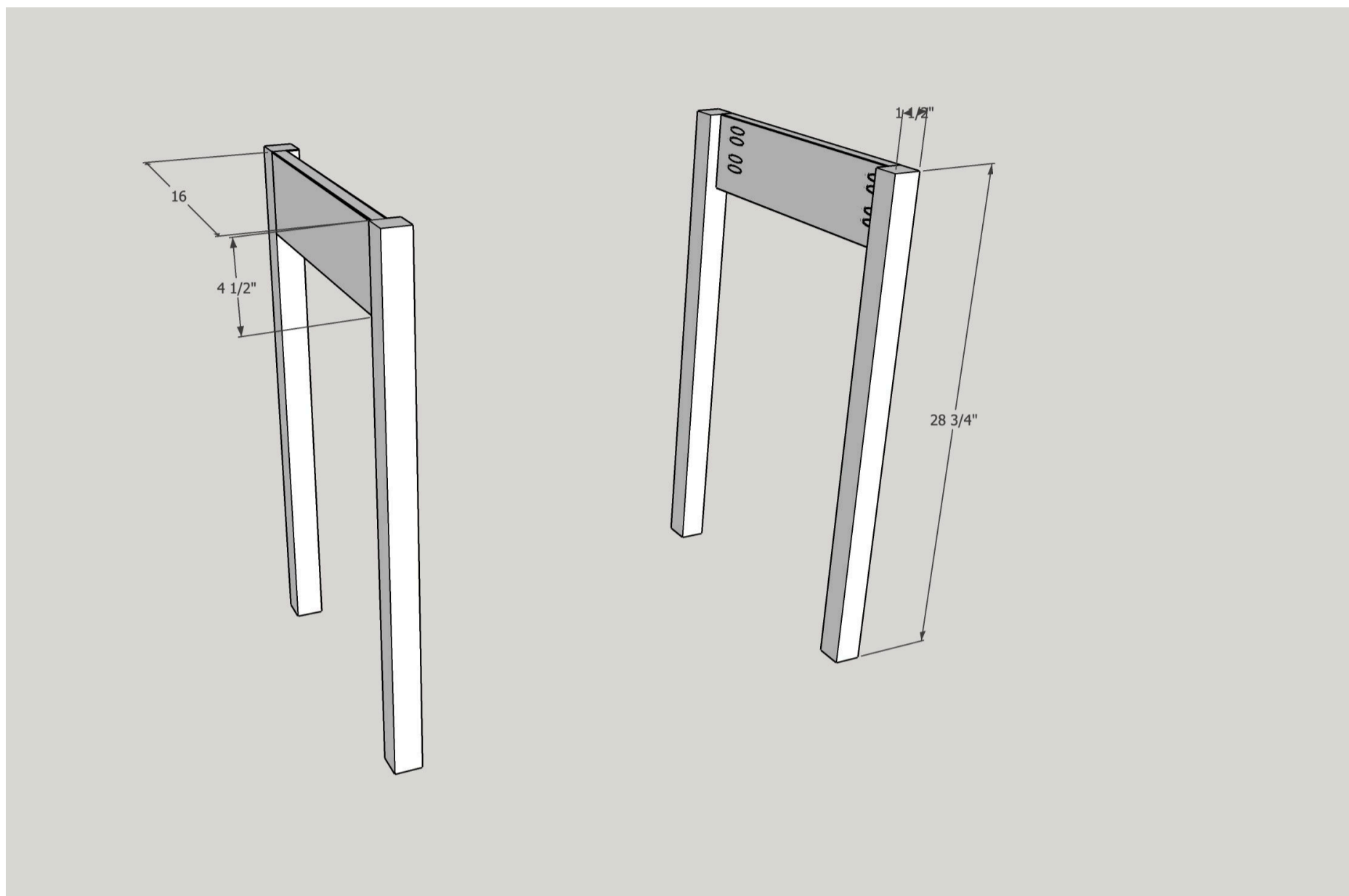
25 1" Brad Nails

Cut List & Parts

- 1 Desk Top , 29"x16"x3/4"
- 1 Desk Bottom , 26"x16.75"x3/4" With Notches For Legs
- 2 Desk Side , 16"x4.5"x3/4"
- 1 Desk Back , 26"x4.5"x3/4"
- 2 Desk Top Dividers , 17.5"x3.5"x3/4"
- 2 Desk Bottom Supports , 16"x1.5"x1.5"
- 4 Desk Legs , 28.75"x1.5"x1.5"
- 2 Desk Front , 7"x3.5"x3/4"
- 1 Desk Drawer Front , 12"x3.5"x3/4"
- 2 Desk Drawer Box Sides , 14"x3"x3/4"
- 2 Desk Drawer Box Front And Back , 9.5"x3"x3/4"
- 1 Desk Drawer Bottom , 14"x11"x1/4"
- 1 Desk Front Rail , 26"x1"x3/4"

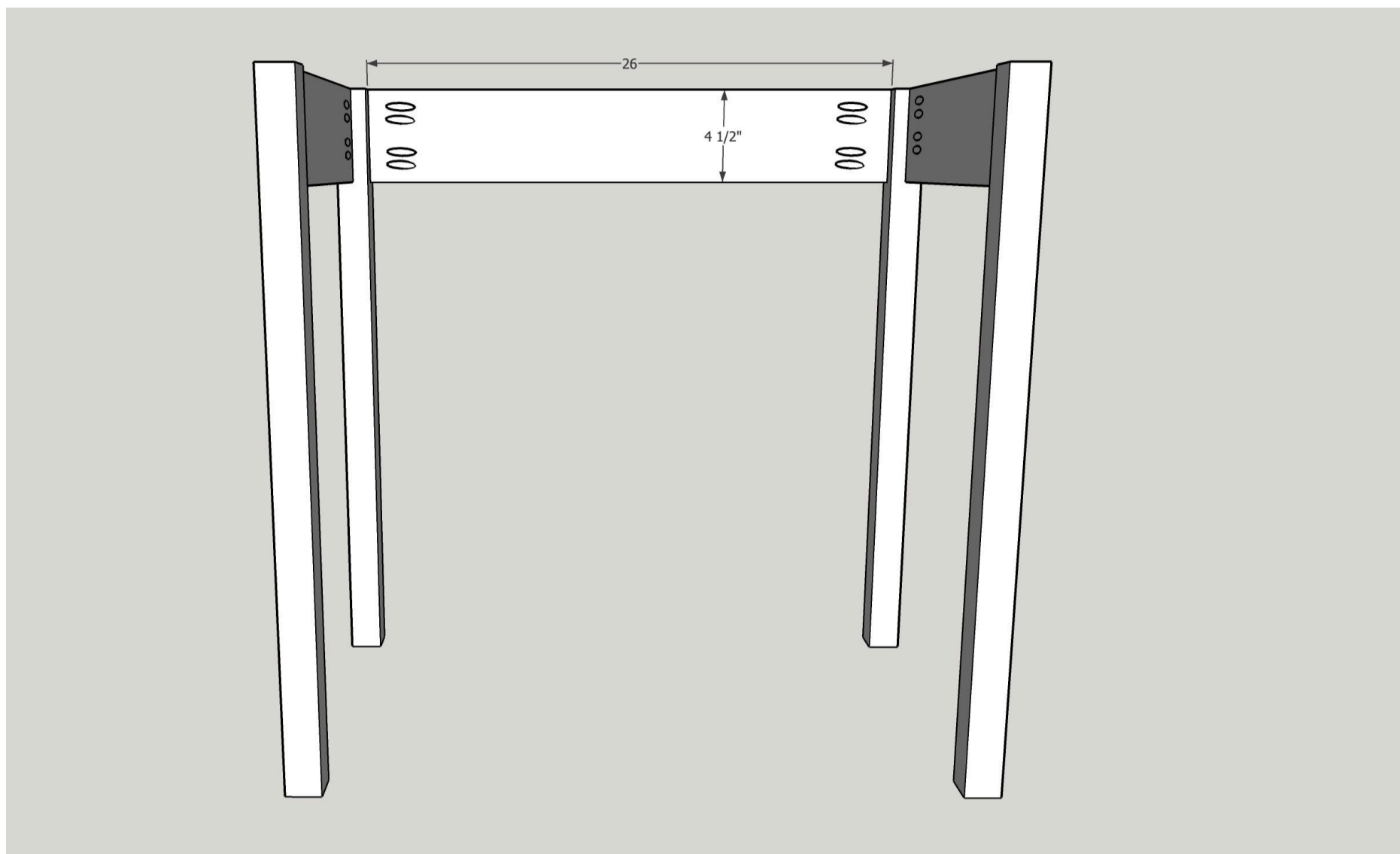
Directions

- 1** Attach the sides to the legs with 1 1/4" pocket screws and wood glue.



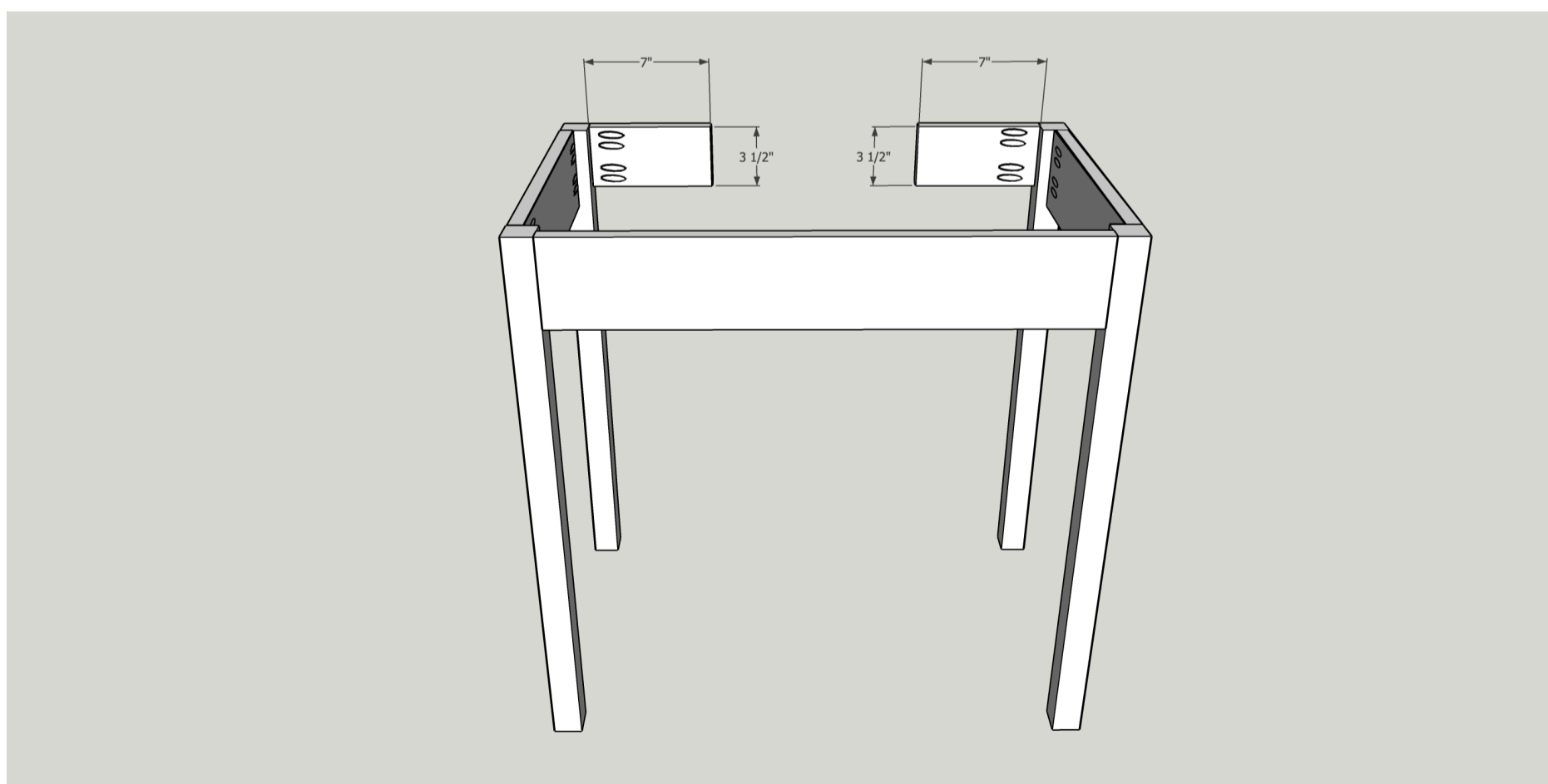
2

2 Attach back to the legs using 1 1/4" pocket screws and wood glue.



3

3 Attach front dividers using 1 1/4" pocket screws and wood glue. A clamp really helps here.



4

4 Attach the top dividers to the front dividers you just attached in step 3. Using 1 1/4" pocket screws and wood glue.

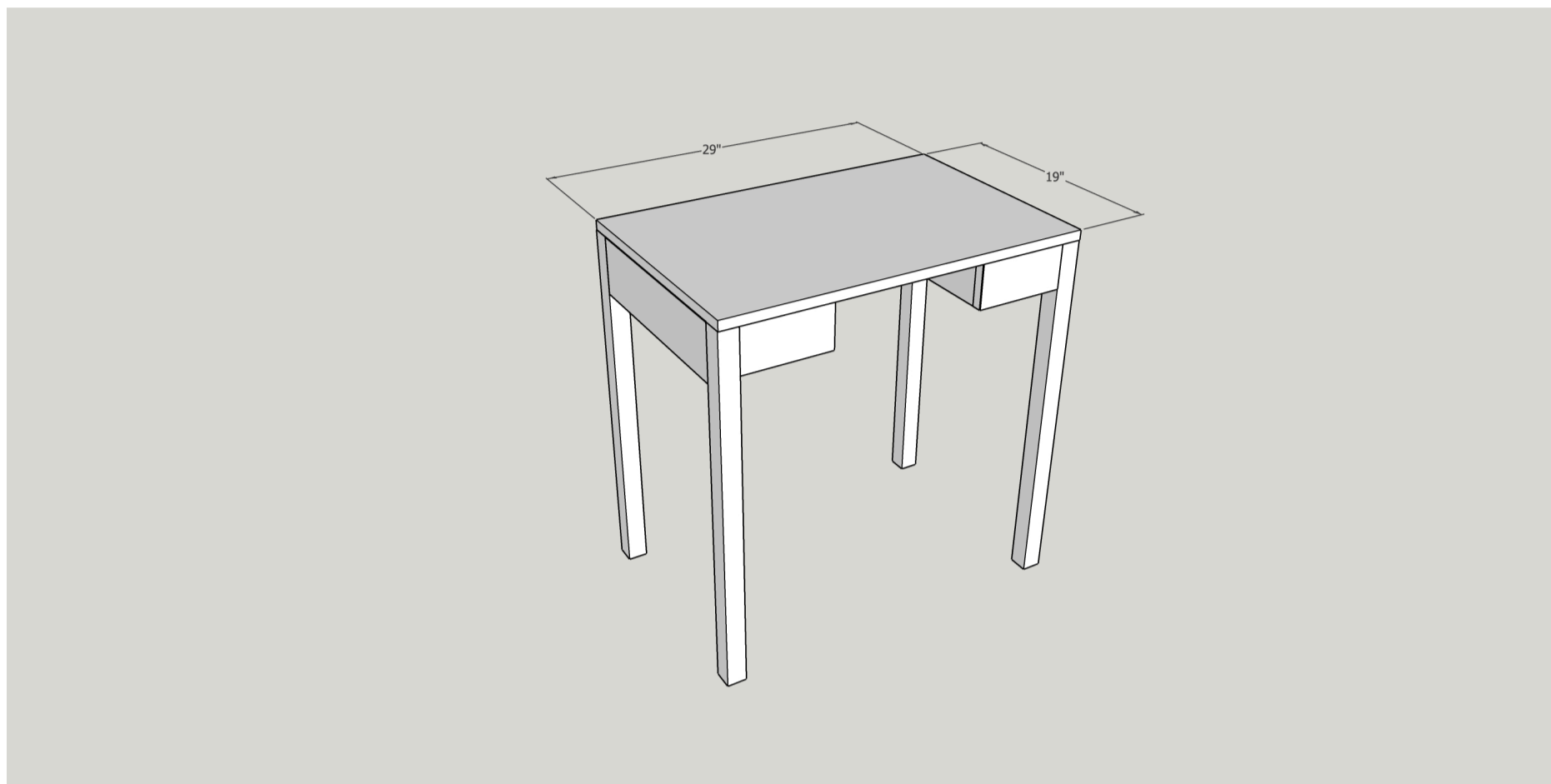


5

5

Attach the top using figure 8 fasteners.

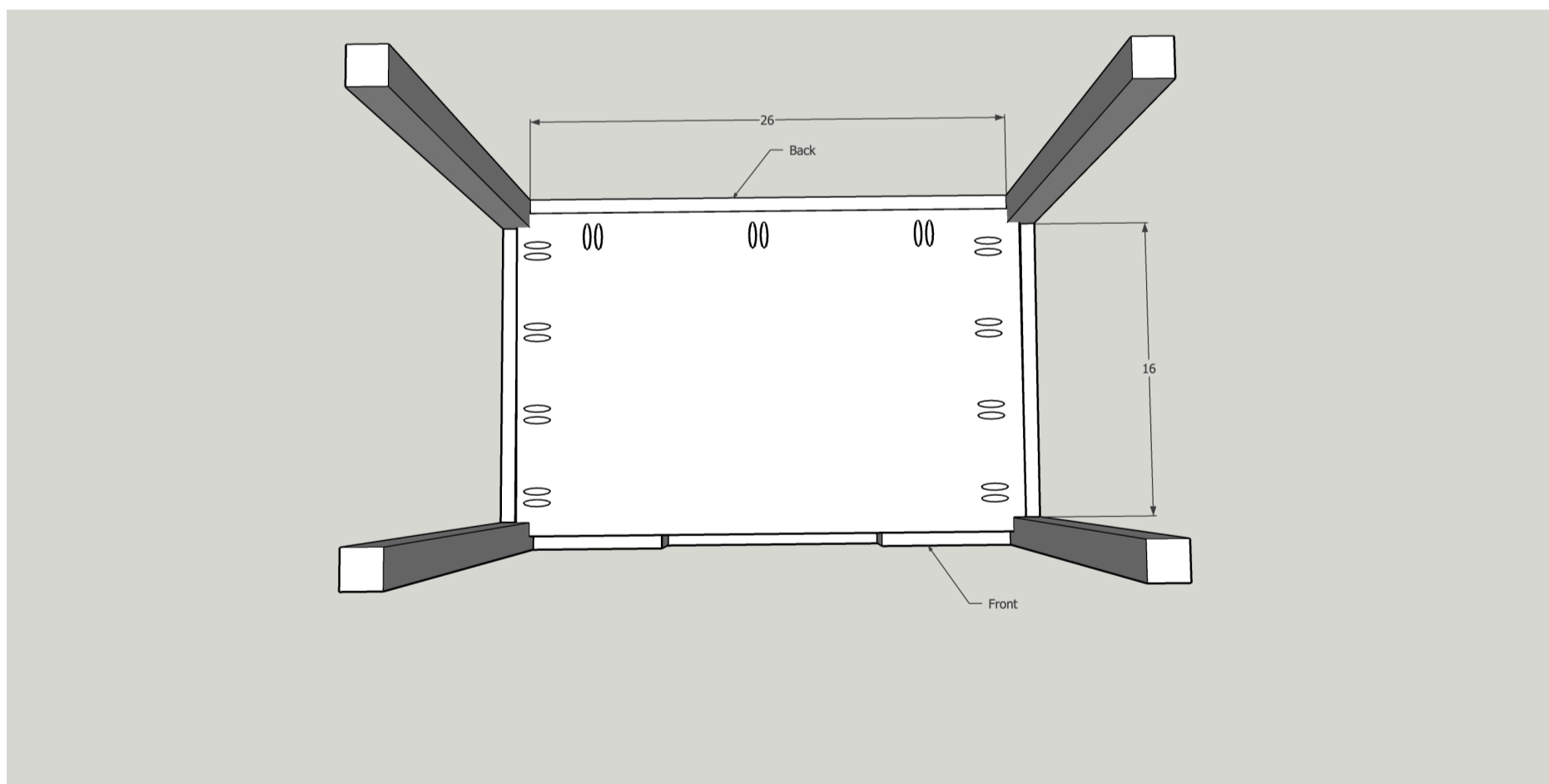
Use a forstner bit to drill the holes for the figure 8 fasteners. Make sure the forstner bit is a little larger than the figure 8 fastener.



6

6

Notch out the bottom of the desk with a jigsaw, then attach using 1 1/4" pocket screws and wood glue.



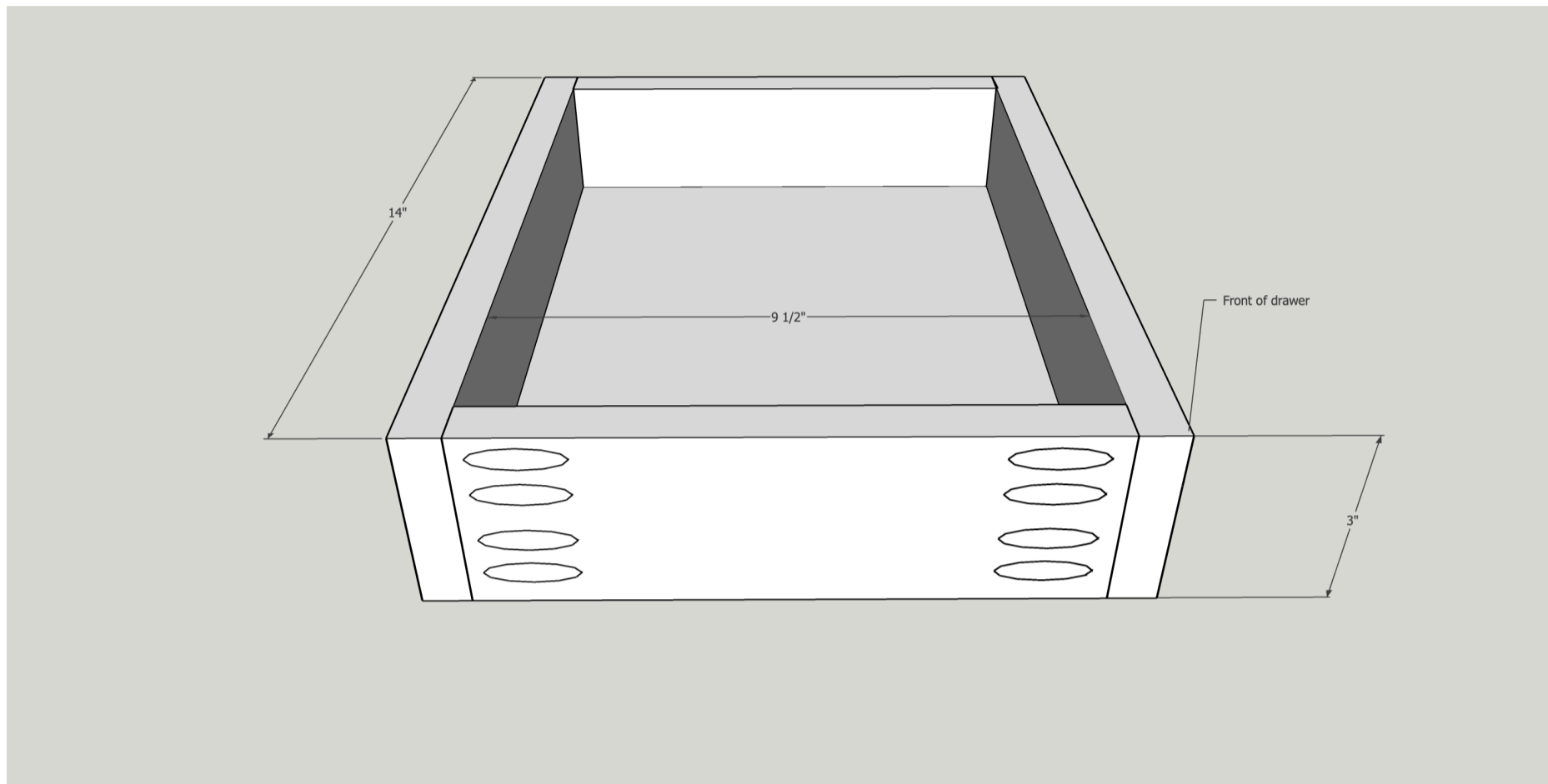
7

7

Attach drawer slides and then build the drawer box using 1 1/4" pocket screws and wood glue.

The pocket holes should be facing front as shown in the diagram below. This will hide the pocket holes when you attach the drawer front.

Attach the drawer bottom with wood glue and 1" brad nails.



8

8

Slide the drawer box on and attach the drawer front.

Using double sided tape, push the drawer front against the front of the drawer box.

Pull the drawer out and using 1 1/4" screws, drill from the inside of the drawer box to attach the drawer front.



9

9

Attach the bottom supports between the legs using 2" pocket screws and wood glue.

Make sure the bottom of the supports sits 7" up from the bottom of the desk legs.

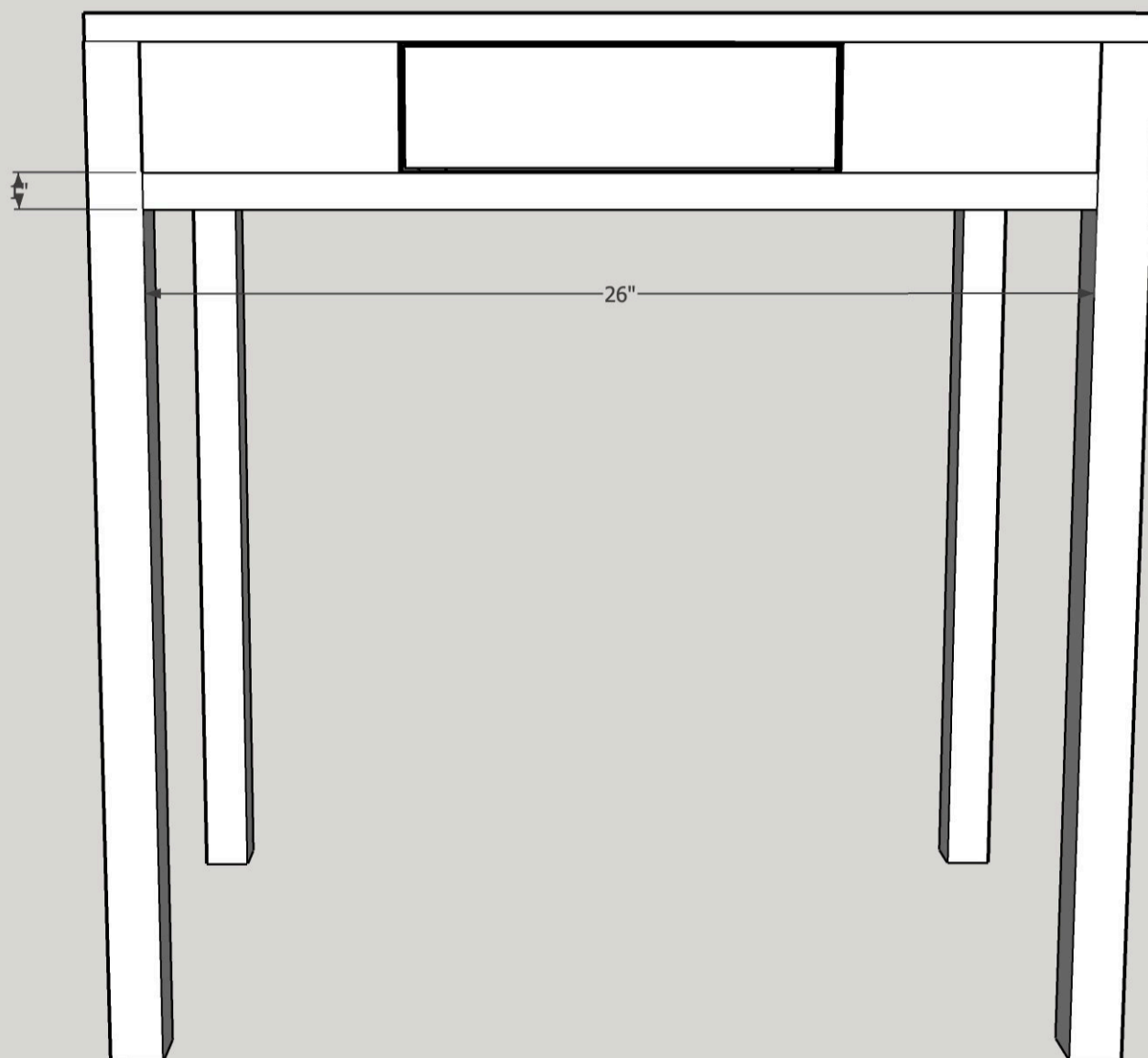


10

10

Attach the front divider using just wood glue and clamps.

Let dry for an hour.



11

11

Sand and apply the finish of your choice!

