

Nightstand With Drawers

By **Anika's DIY Life**

Difficulty

Moderate

This simple nightstand is basically made with 3 boxes – one frame and two drawers. The legs have been added at an angle to add some visual interest.

It is the perfect little nightstand that can fit into any decor style!



Tools

Kreg Tools



Other Tools

Miter Saw

Square

Tape Measure

Drill (cordless)

Sander

Shop Vacuum

Workbench

Tape Measure

Materials

Wood Products

- 1 Board , 2x2 , 96"
- 3 Board , 1 X 5 , 96"
- 1 Board , 1x6 , 120"
- 1 Board , 1x8 , 72"
- 1 Plywood , 1/4" Thick , Quarter Sheet

Hardware & Supplies

- 50 1-1/4" Pocket Hole Screws
- 25 2-1/2" Pocket Hole Screws
- 10 1-1/4" Wood Screws
- 2 Pairs 12" Drawer Slides

Cut List & Parts

- 4 Legs , 1-1/2" X 1-1/2" X 8(long To Short) (Cut At 10deg On Both Ends Parallel)
- 2 Angled Aprons , 1-1/2" X 1-1/2" X 11-1/2"(long To Long) (Cut At 10deg On Both Ends Not-parallel)
- 2 Straight Aprons , 1-1/2" X 1-1/2" X 11-1/2"
- 6 Top And Bottom Planks , 3/4" X 4-1/2" X 16
- 6 Side Planks , 3/4" X 4-1/2" X 14-7/8"
- 4 Drawer Side 1 , 3/4" X 5-1/2" X 12
- 4 Drawer Side 2 , 3/4" X 5-1/2" X 12
- 2 Drawer Face , 3/4" X 7-1/4" X 14-1/4"
- 2 Drawer Bottom , 1/4" X 13 X 13-1/2"

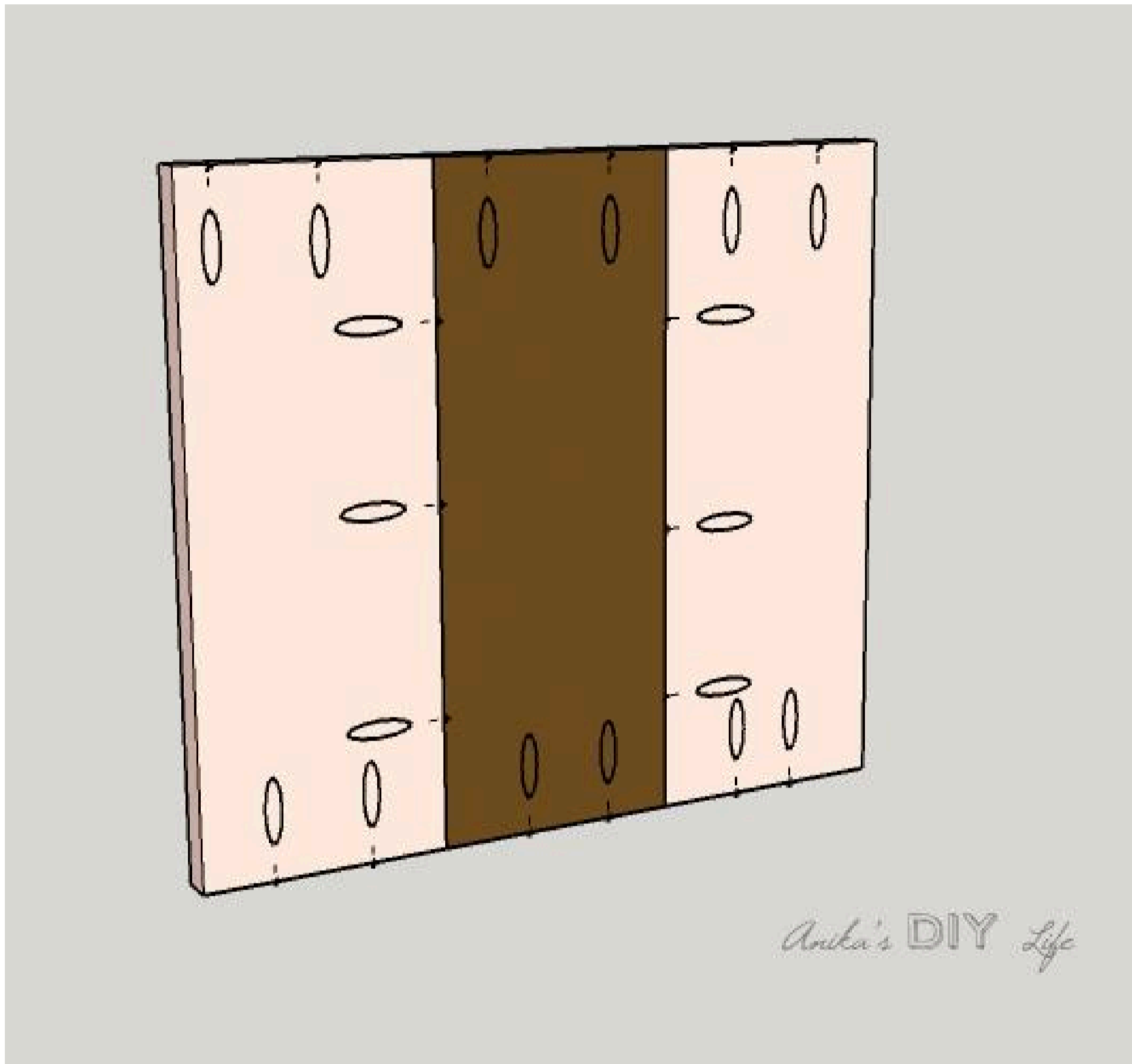
Directions

1

Build panels for nightstand frame

Build 4 panels for the nightstand frame by joining three 1x5 boards each using 1-1/4" pocket hole screws and wood glue.

You will have two panels that are 16" tall and two panels that are 14 7/8" tall.



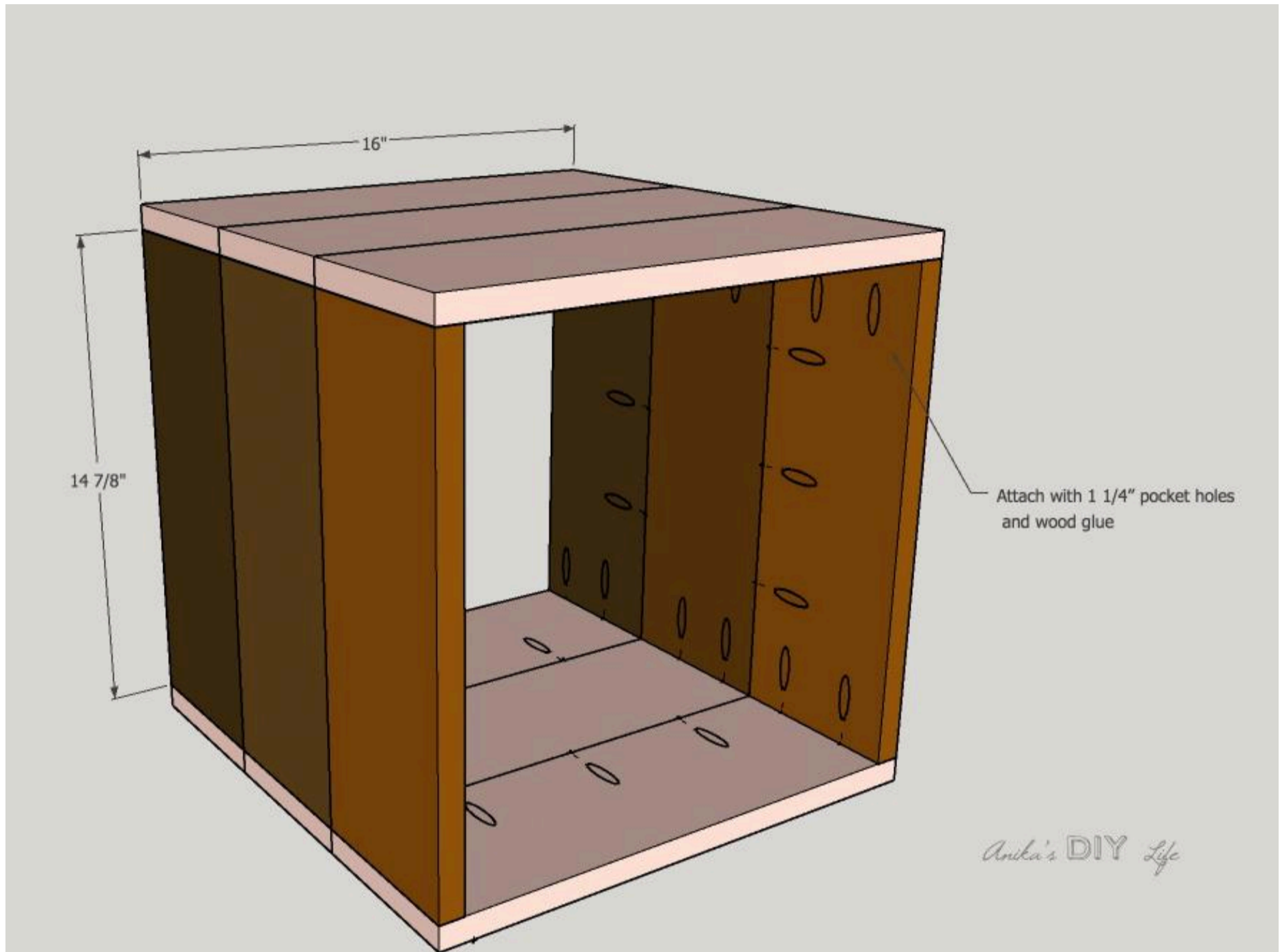
2

Build the frame

Build the box for the nightstand frame by joining the four panels using 1-1/4" pocket hole screws and wood glue.

The pocket holes are on both ends of the 14 7/8" panels.

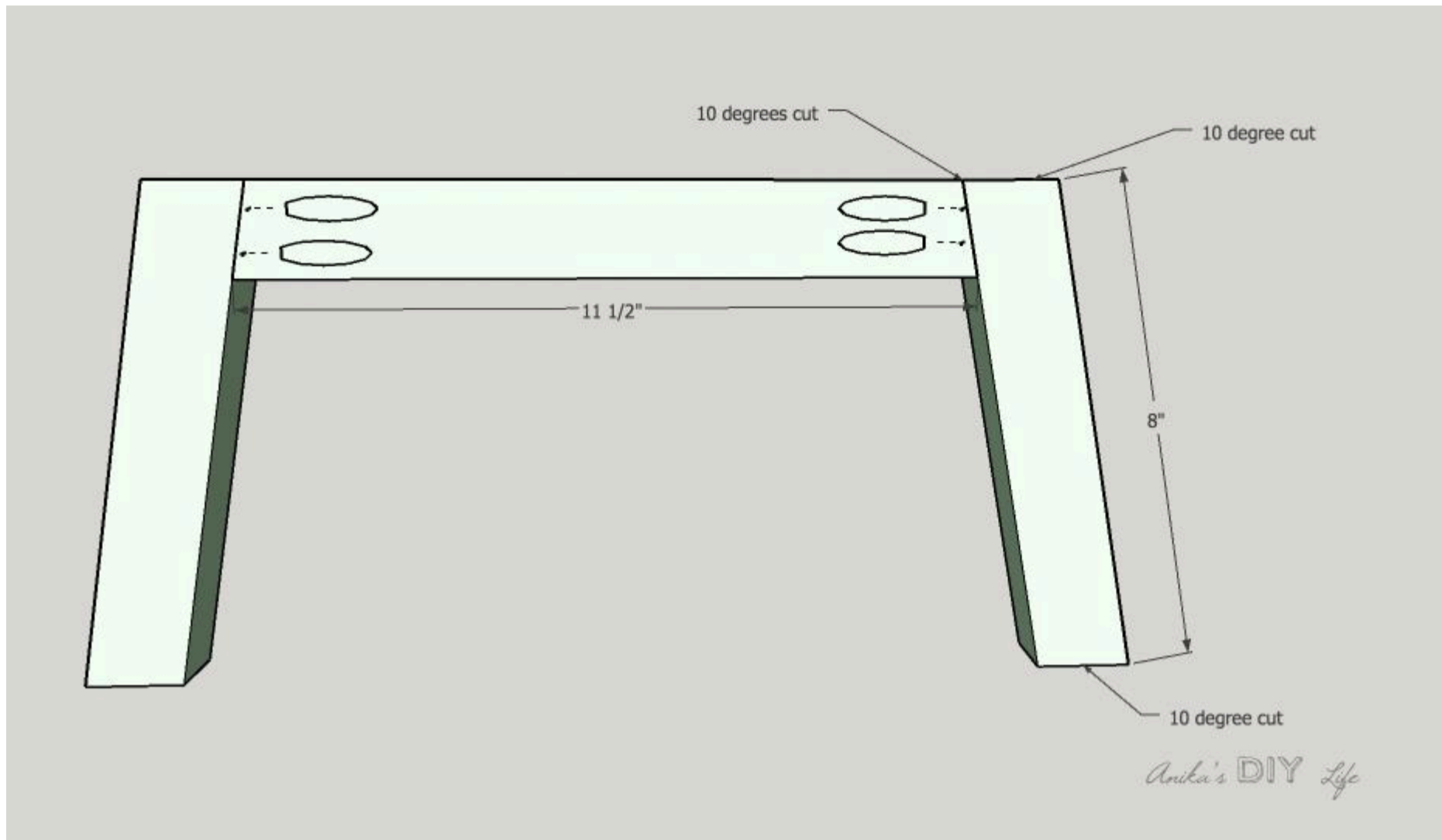
Using corner clamps makes it easy to ensure that the box is square.



3

Build front/back legs

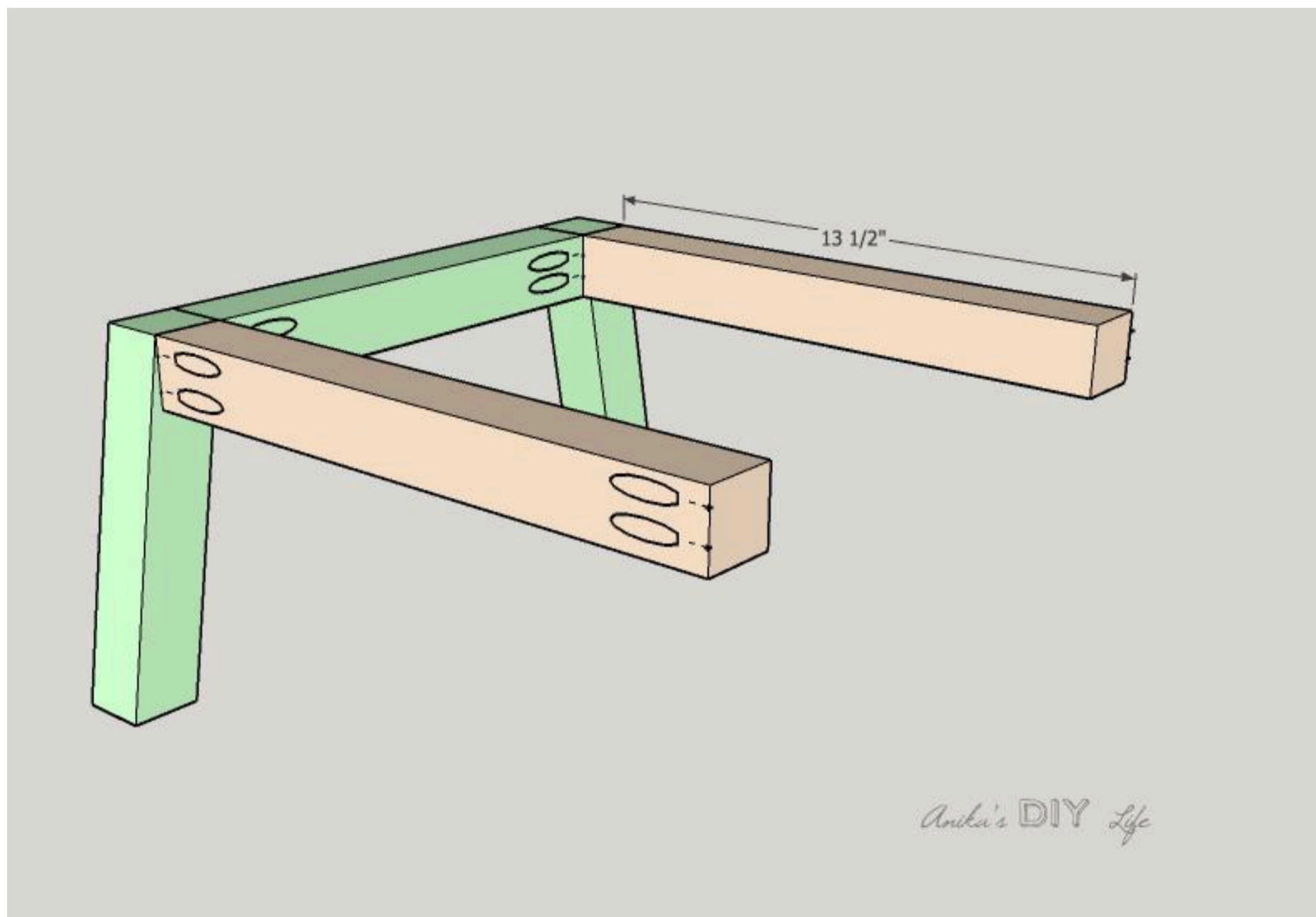
Attach the angled apron between two legs using 2-1/2" pocket holes screws and wood glue. Build two of these.



4

Attach straight aprons

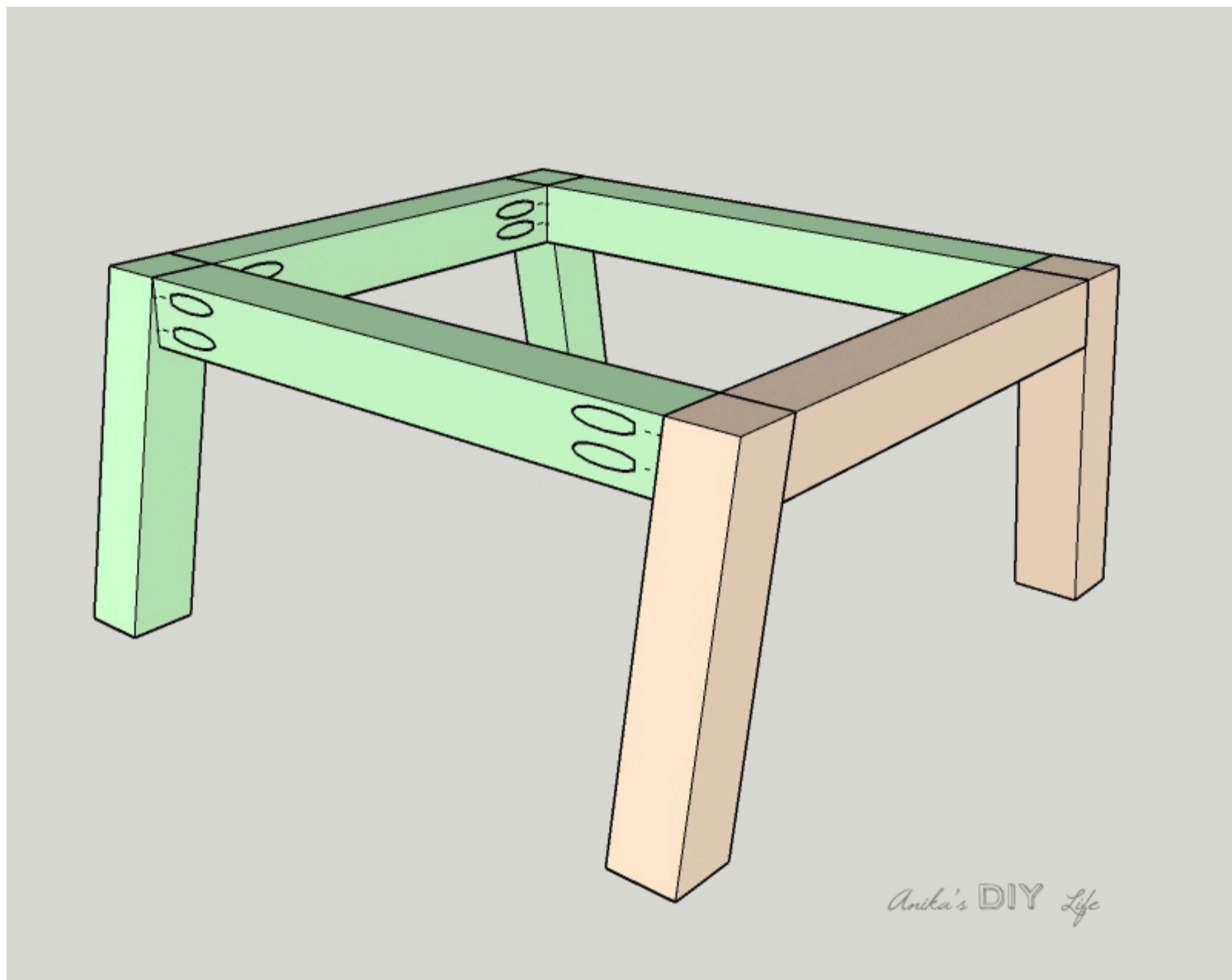
Attach both the straight aprons to one of the leg frames built in the above step using 2-1/2" pocket hole screws and wood glue.



5

Build final leg frame

Attach the second leg frame using 2-1/2" pocket hole screws and wood glue to get the final leg frame for the nightstand.



6

Attach legs to the nightstand frame

Align the nightstand box on the frame. The front legs are aligned with the front of the box.

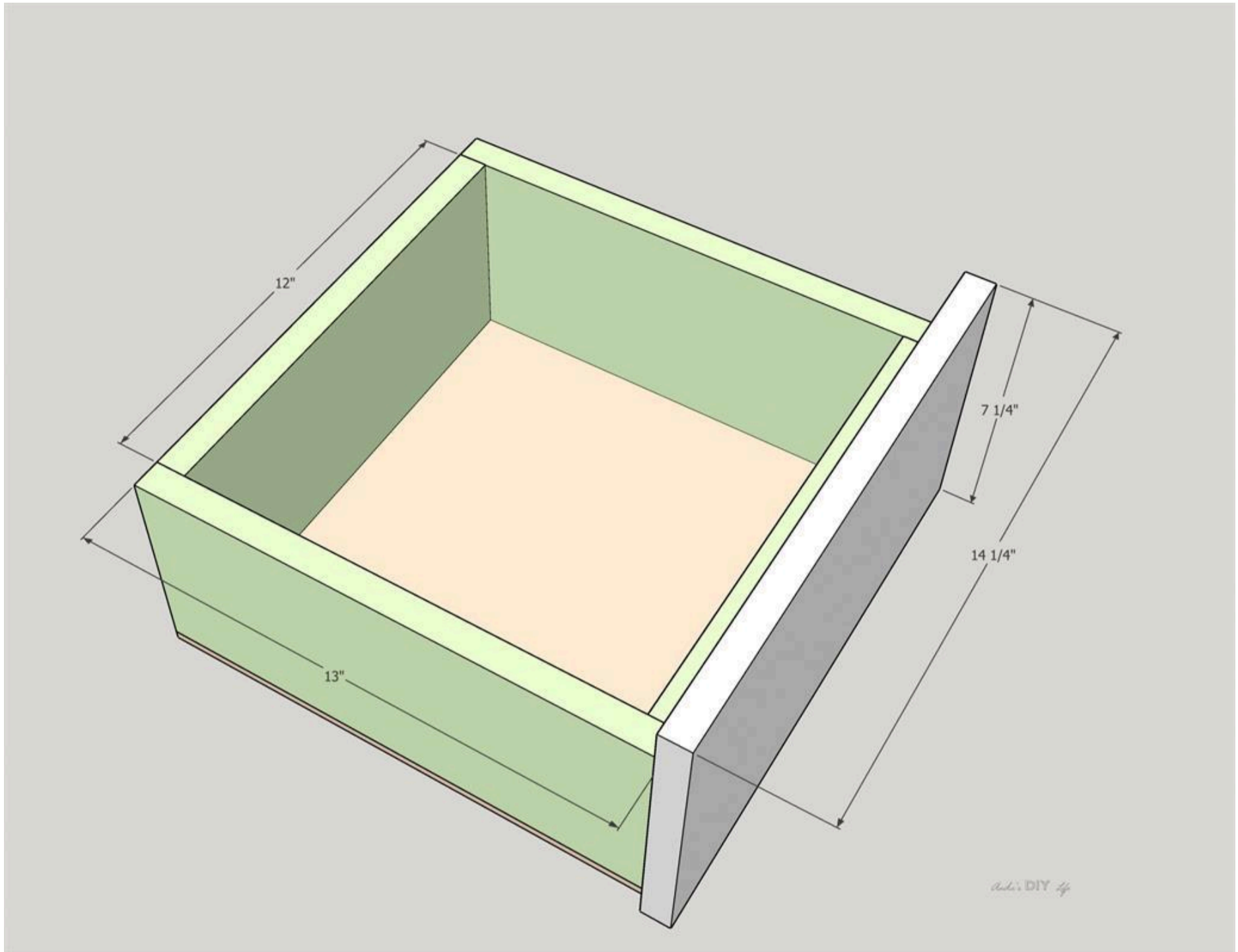
There is 1" spacing from each side.

Attach using 1-1/4" wood screws all around from the inside of the nightstand frame.



7**Build Drawers**

Build two drawers using the 1x6 boards and install drawer slides inside the nightstand frame. Attach the 1x8 drawer frames and your choice of hardware.

**8****See more information**

For more details on this project, please see - <https://www.anikasdiylife.com/diy-nightstand-with-drawers/>

For a full video of the build - <https://youtu.be/LO3aQBazBiU>