

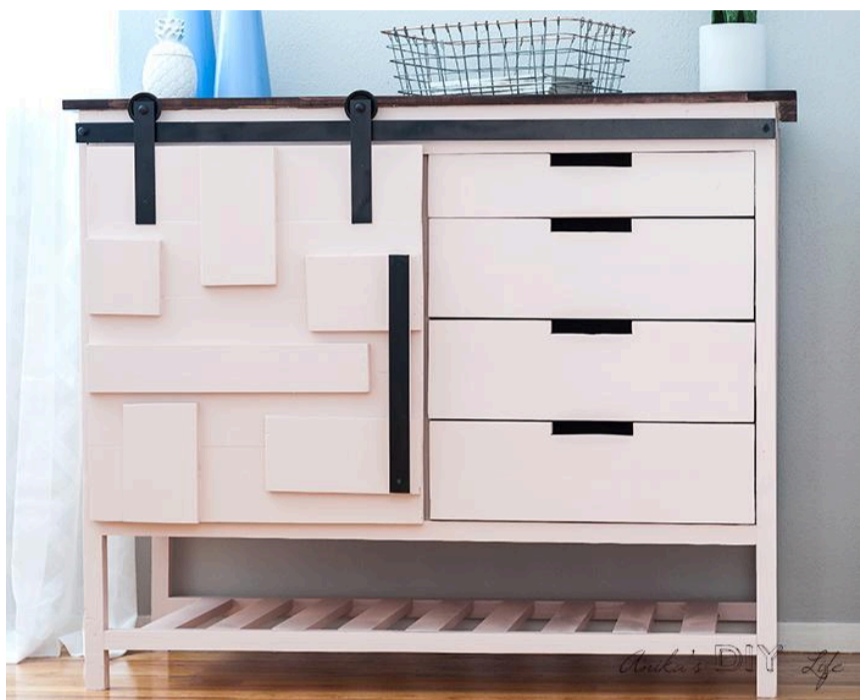
# Barn Door Cabinet with Drawers

By **Anika's DIY Life**

Difficulty

Moderate

Build a multifunctional storage cabinet with a barn door and drawers which can be used for storage in many different rooms in the home – as a buffet in a dining room, storage for an entryway, media console or even craft room storage. Paint or stain it to match your decor!  
Paint or stain it to match your decor!



# Tools

## Kreg Tools



Accu-Cut™



Wood Project Clamp - 6"



Kreg® Pocket-Hole Jig 720



Drawer Slide Jig



Shelf Pin Jig with 1/4" Bit

## Other Tools

Circular Saw (cordless)

Miter Saw

Tape Measure

Drill (cordless)

Nail Gun

Sander

Workbench

# Materials

## Wood Products

2 Board , 1x2 , 96"

3 Board , 1x3 , 96"

4 Board , 2x2 , 96"

2 Board , 1x4 , 96"

6 Board , 1x6 , 96"

1 Board , 1x8 , 96"

1 Plywood , 1/4" Thick , Full Sheet

1 Plywood , 3/4" Thick , Full Sheet

## Hardware & Supplies

100 1 1/4" Pocket Hole Screws

4 Pairs 16" Drawer Slides

8 2 1/2" Pocket Hole Screws

1 Barn Door Hardware Kit

50 1 1/4" Finish Nails

3 Sandpaper - Various Grits

# Cut List & Parts

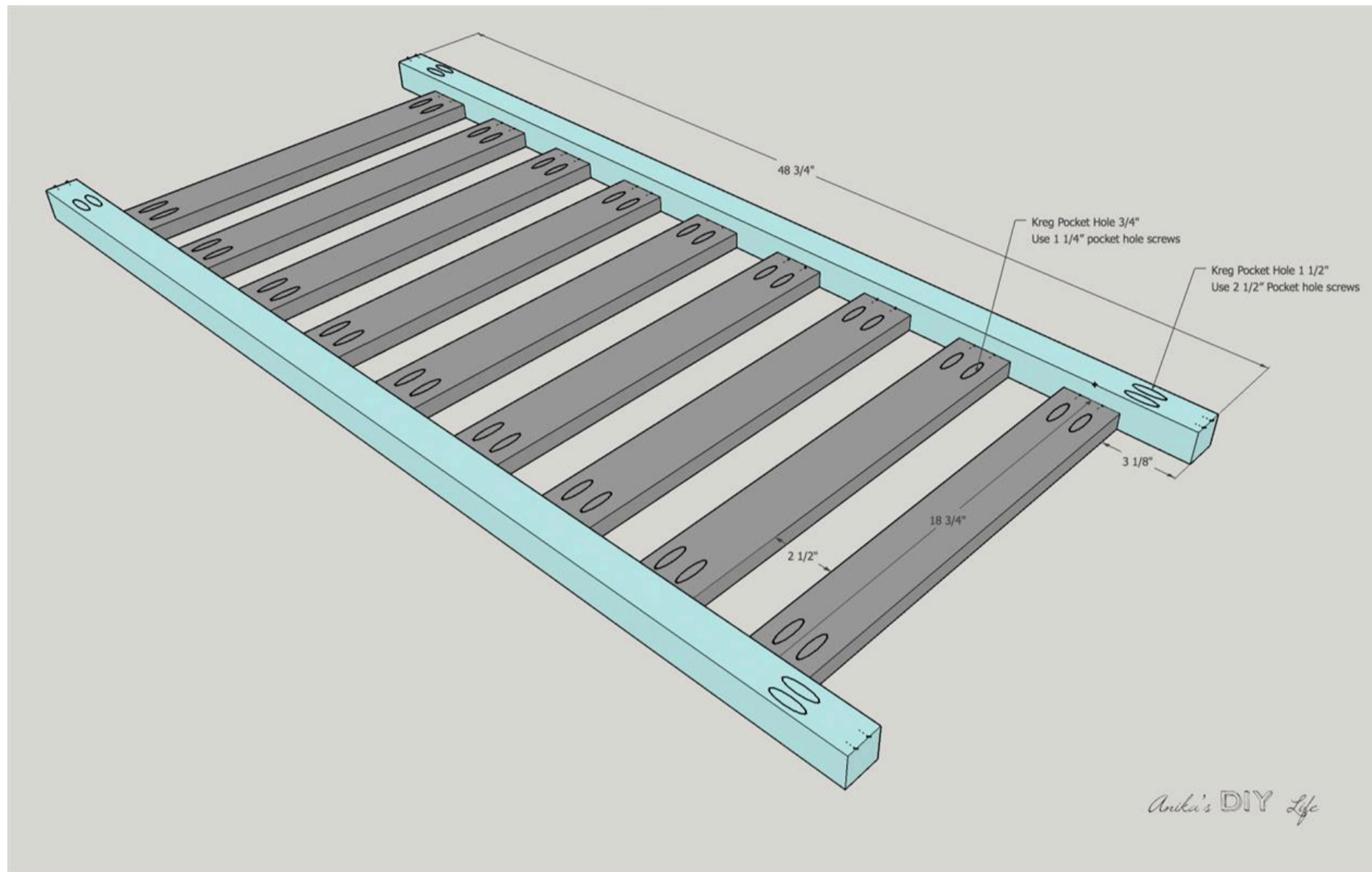
- 2 Rails , 1 1/2" X 1 1/2" X 48 3/4"
- 9 Bottom Slats , 2 1/2" X 3/4" X 18 3/4"
- 4 Legs , 1 1/2" X 1 1/2" X 43"
- 2 Sides , 3/4" X 33" X 18 3/4"
- 4 Side Trim , 1 1/2" X 3/4" X 18 3/4"
- 1 Bottom Shelf , 3/4" X 48 3/4" X 21"
- 1 Bottom Shelf Trim , 1 1/2" X 3/4" X 48 3/4"
- 1 Center Divider , 3/4" X 31 1/2" X 19 1/2"
- 1 Center Divider Trim , 1 1/2" X 3/4" X 31 1/2"
- 1 Top Rail , 3 1/2" X 3/4" X 48 3/4"
- 4 Top Slats , 5 1/2" X 3/4" X 47 1/4"
- 2 Top Trim , 3 1/2" X 3/4" X 22"
- 1 Back , 1/4" X 51 3/4" X 33 1/32"
- 5 Door Slats , 5 1/2" X 3/4" X 25"
- 3 Large Drawer Fronts , 7 1/2" X 3/4" X 23"
- 4 Drawer Bottom , 1/4" X 23" X 20 1/2"
- 6 Drawer Short Side , 5 1/2" X 3/4" X 19"
- 1 Small Drawer Front , 3 1/2" X 3/4" X 23"
- 6 Drawer Long Side , 5 1/2" X 3/4" X 23"
- 2 Small Drawer Short Side , 2 1/2" X 3/4" X 19"
- 2 Small Drawer Long Side , 2 1/2" X 3/4" X 23"

# Directions

1

## Make bottom rack

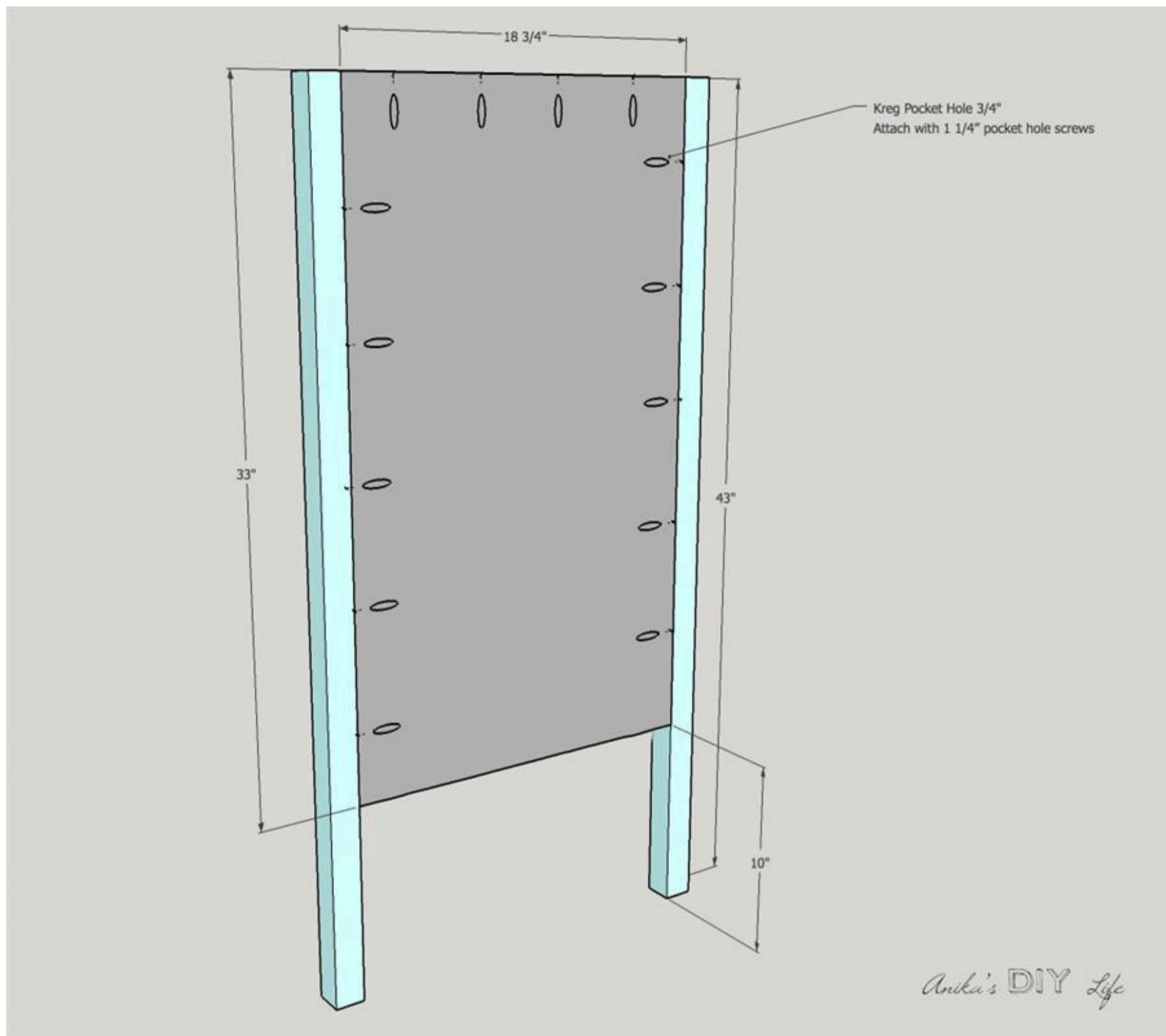
Create the bottom rack by attaching nine 1"x3" boards to the 2" x 2" rails. The spacing between them is 2 1/2" and I used a scrap piece of 1"x3" to space them out.



## 2

### Build 2 Sides

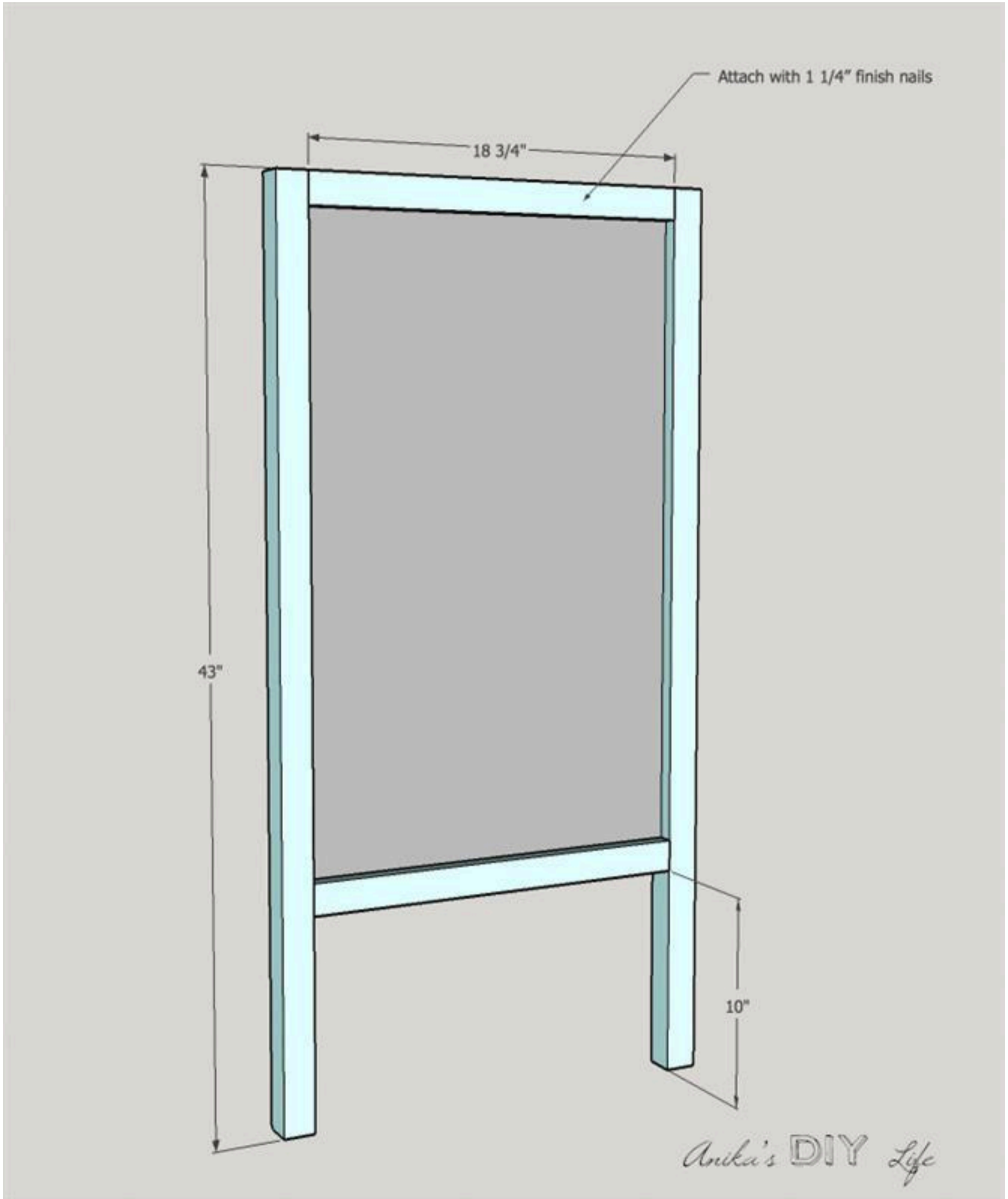
Build sides by attaching the 3/4" plywood to the 2x2 legs using pocket hole screws and wood glue. Make 2 of these.



### 3

#### Add trim to sides

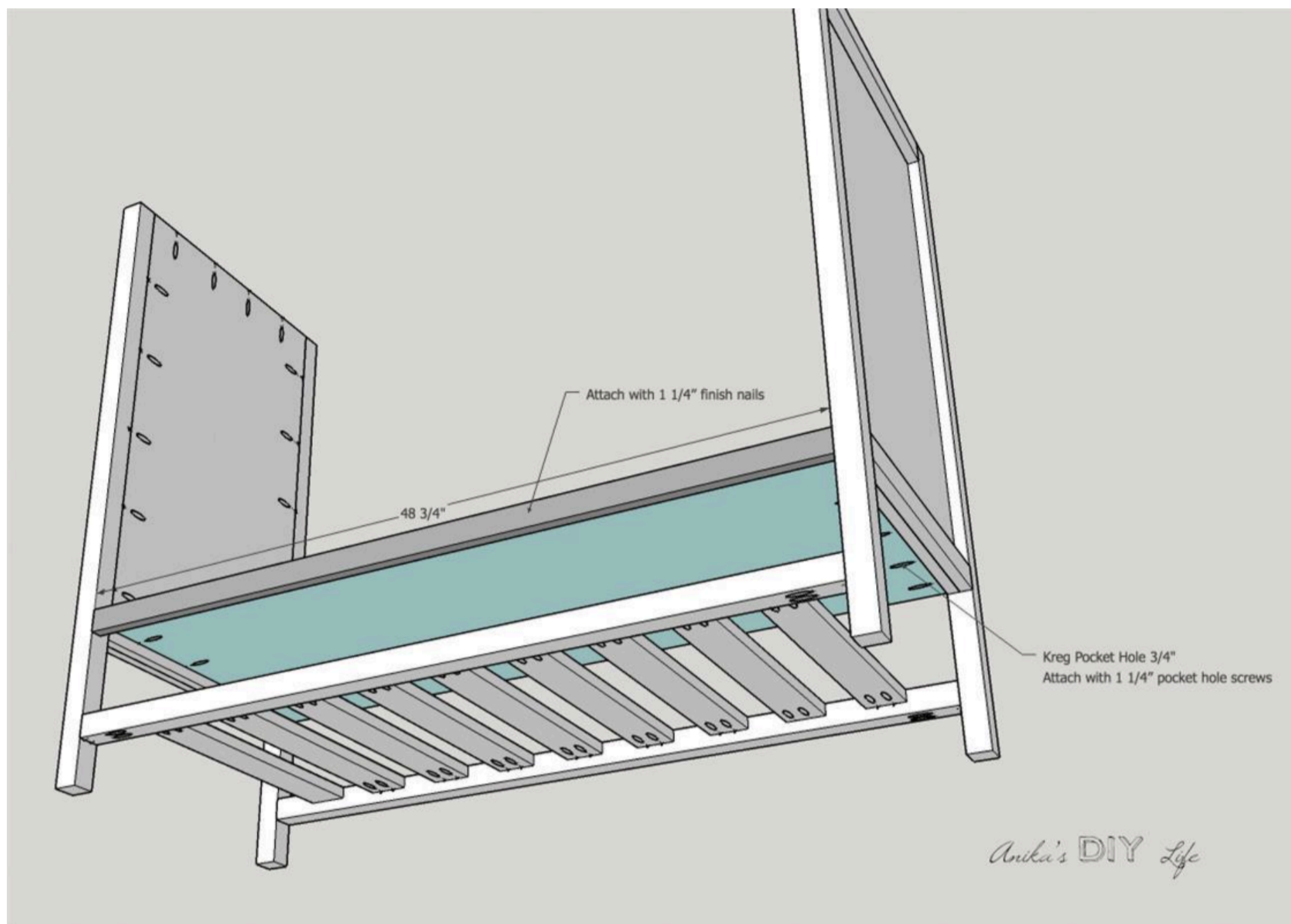
On the other side of the pieces built in step 2, attach the 1x2 trim to cover the raw edges of plywood using wood glue and finish nails.



**4****Attach Shelf and bottom rack**

Attach the bottom rack (from step 1) and the bottom shelf to the sides using wood glue and pocket hole screws. It is easiest to do this by laying it on one side.

Once the shelf and bottom rack are attached, add the 1x2 bottom shelf trim using finish nails and wood glue.

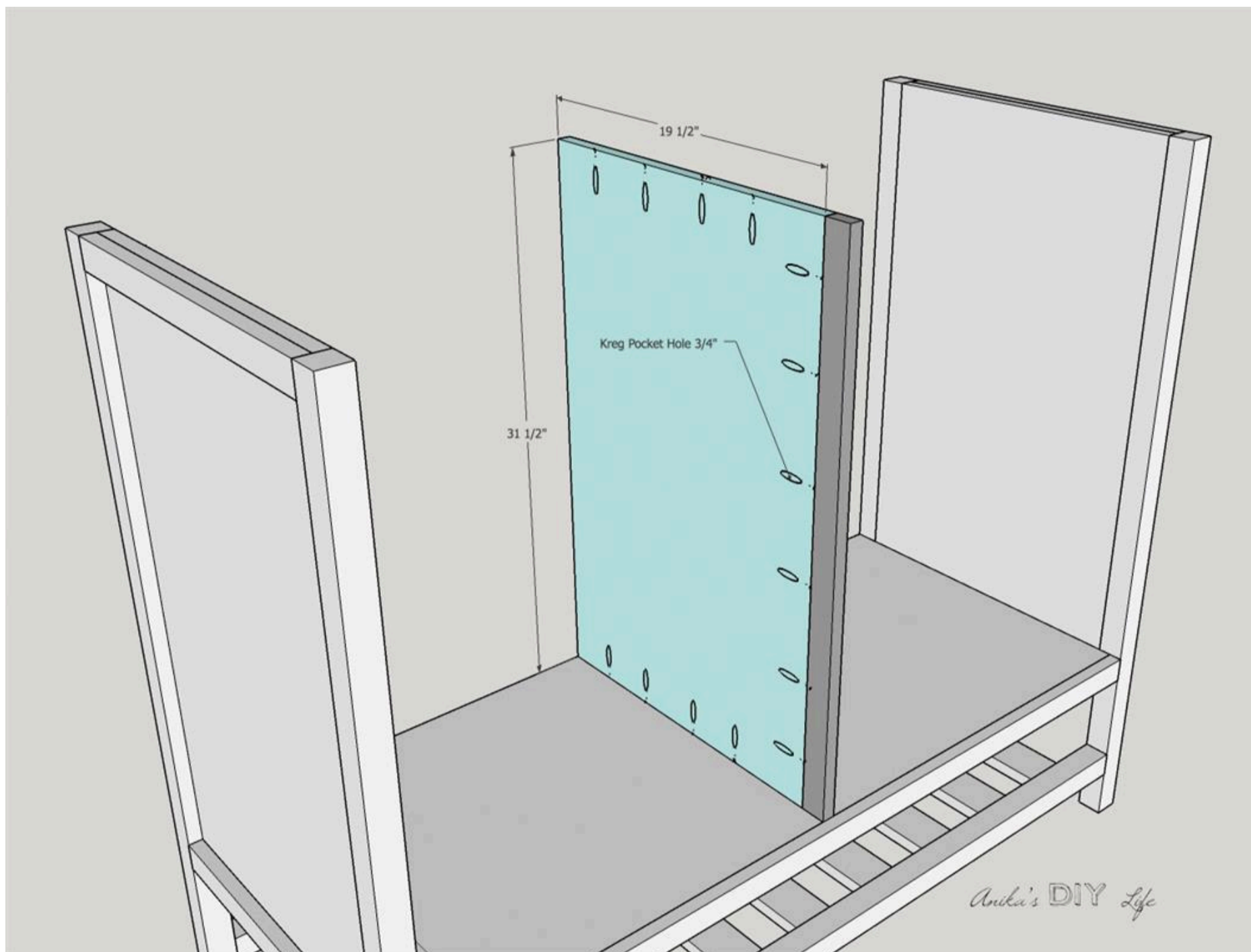


**5****Attach center divider**

Attach the center divider to the bottom shelf at 24" from both sides using pocket hole screws.

Attach the center divider trim through the pocket holes in the plywood too.

Once attached, it is a good time to make the shelf pin holes for an adjustable shelf on one side of the cabinet. The Kreg Shelf Pin Jig is perfect for this.

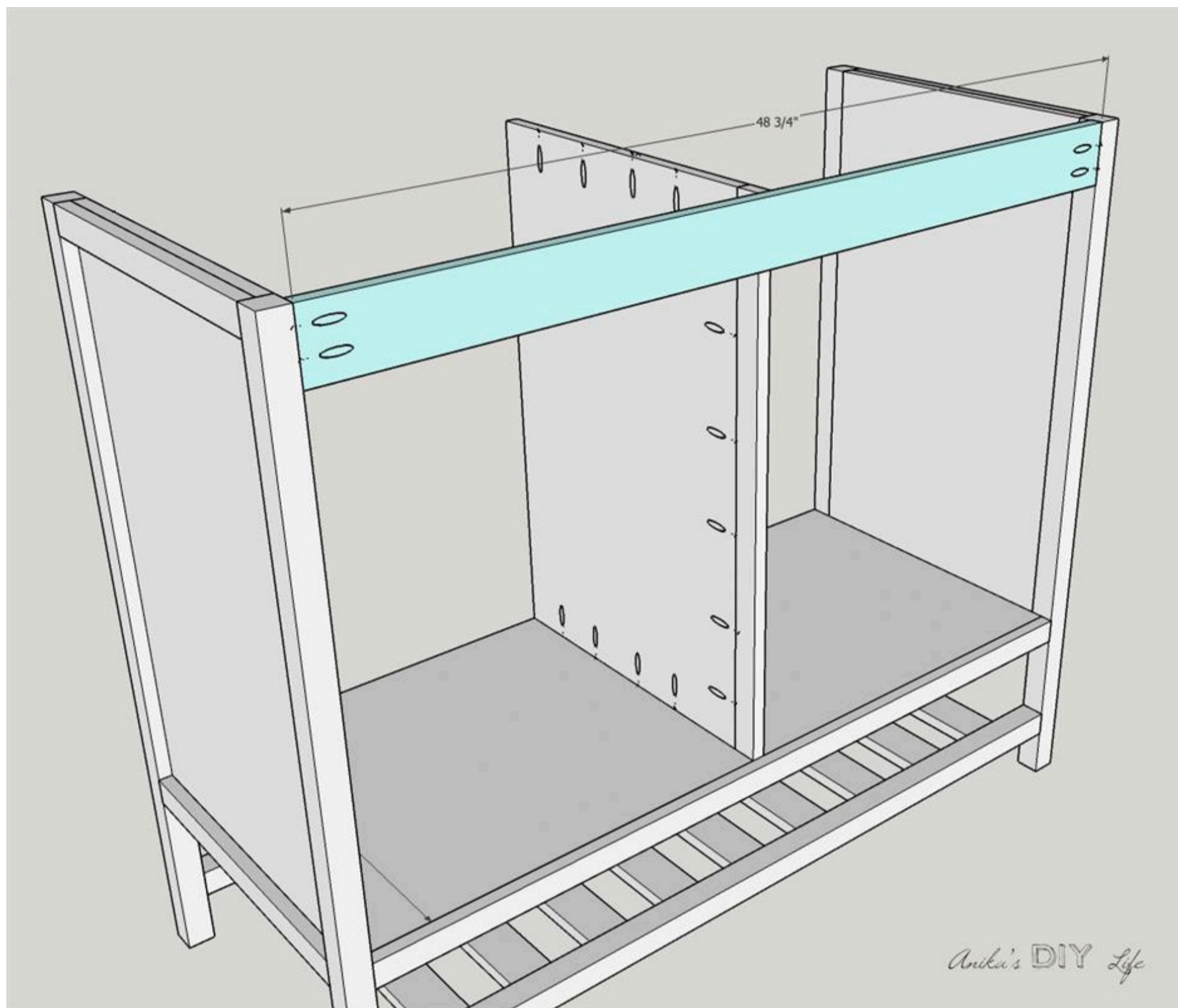




**6****Attach top rail**

Attach the 1 x 4 rail to the front of the cabinet using pocket hole screws.

You can also add pocket hole screws through the 1x2 center divider trim to attach to the 1x4.

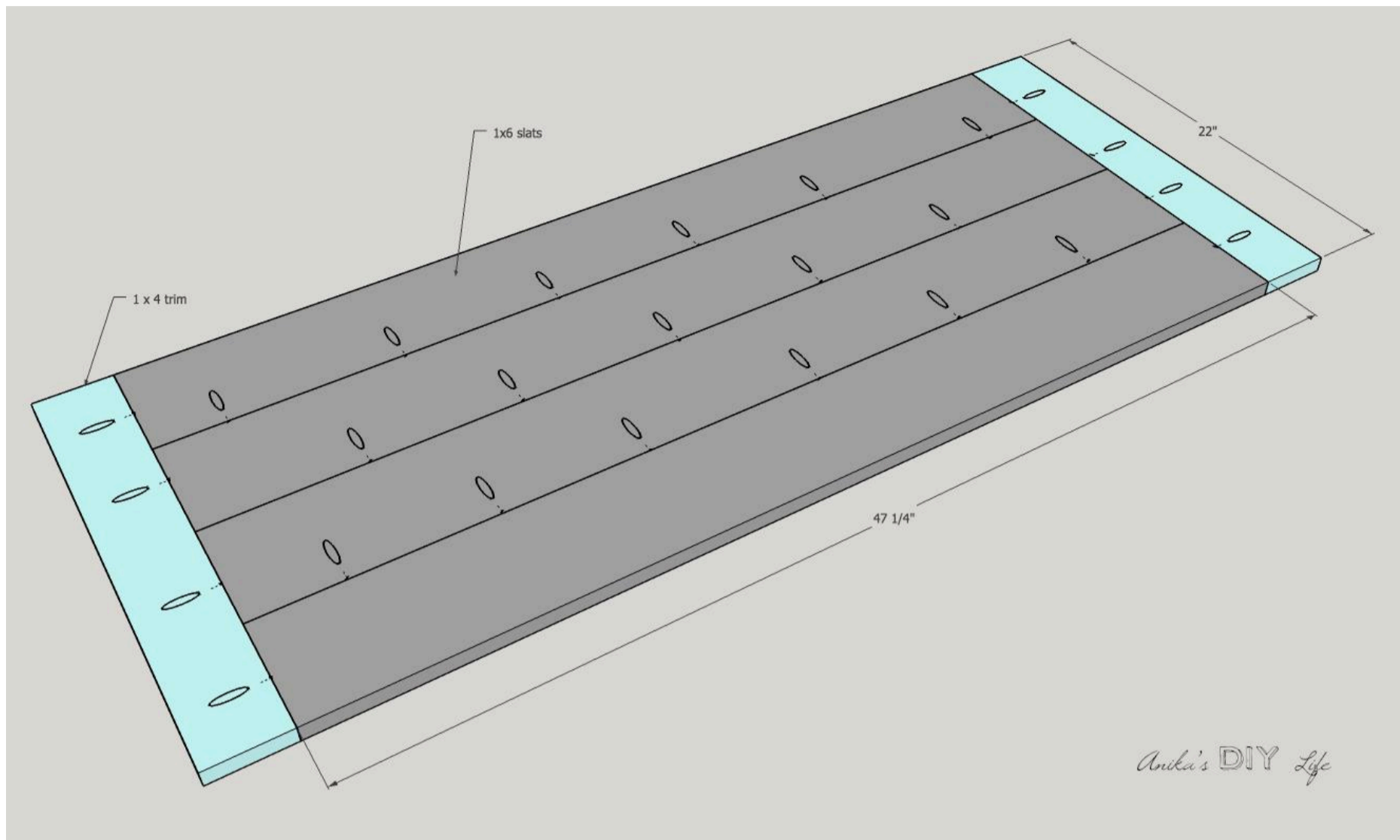


# 7

## Build Top

Build the top by joining the 1x6 slats using pocket hole screws and wood glue.

Attach the side 1x4 trim to finish off the sides.

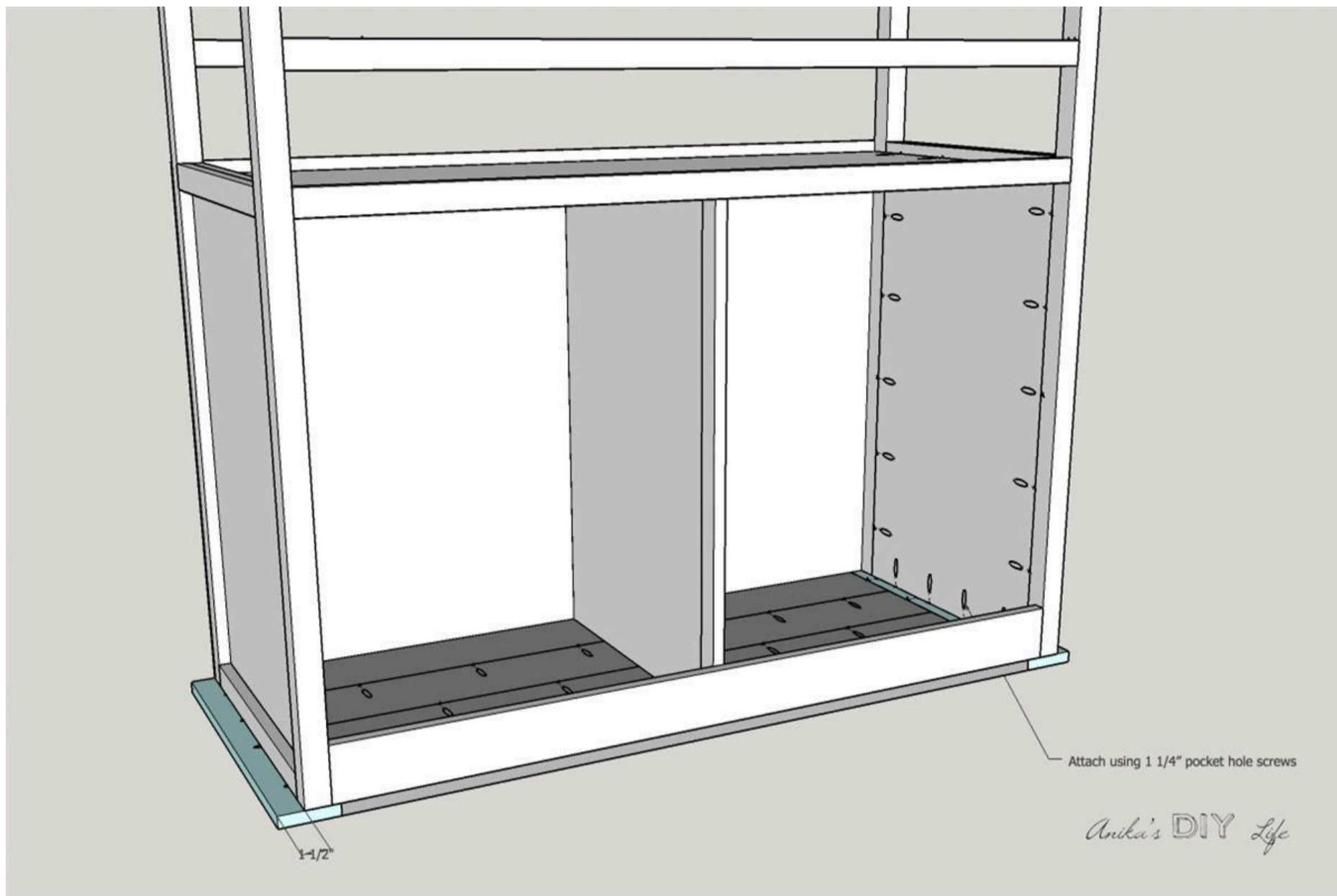


8

**Attach top**

Attach the top to the cabinet.

It is best to lay the cabinet on top of the top and then add the pocket hole screws through the sides and the center divider. Use wood glue.



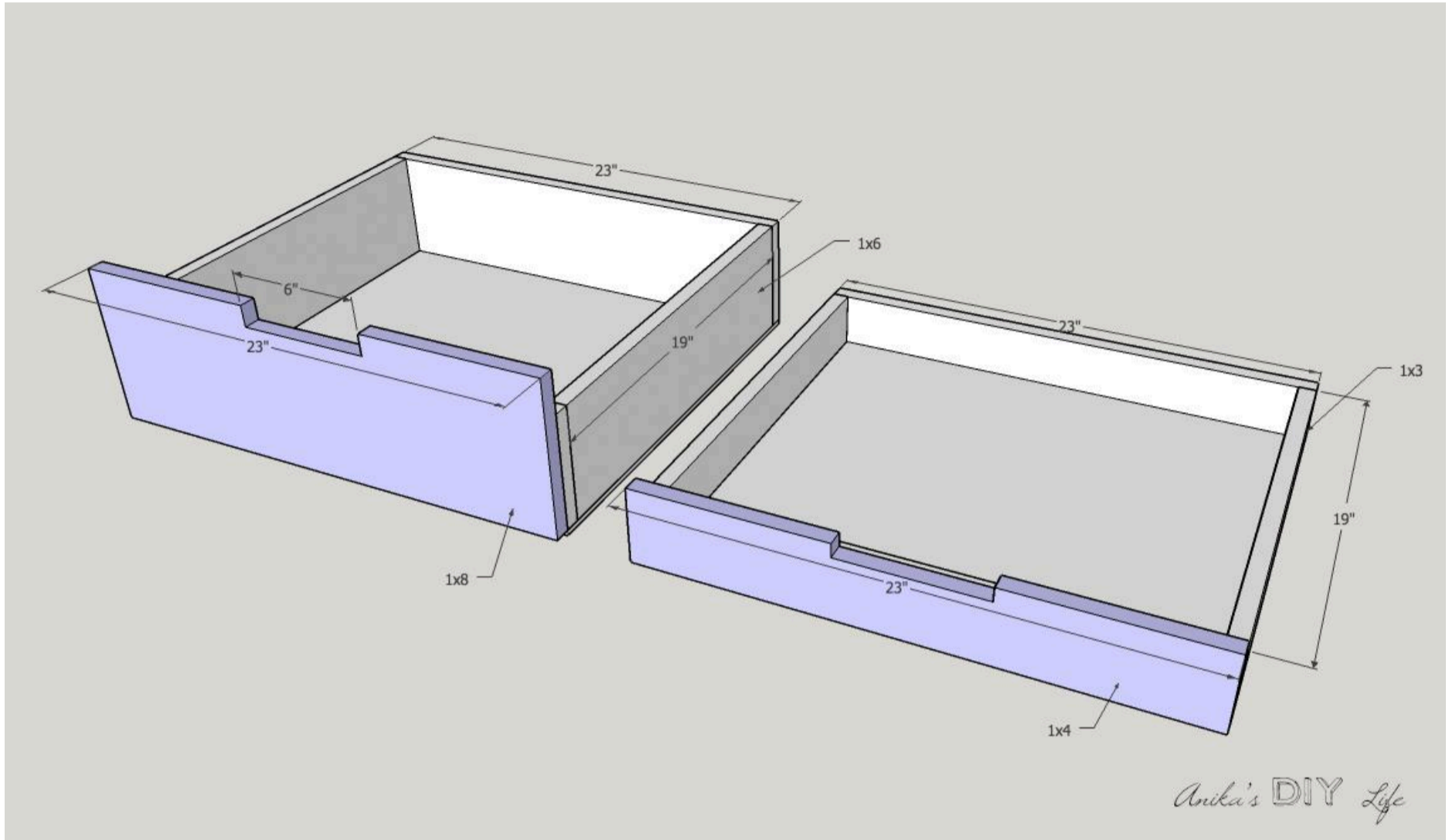
# 9

## Make drawers and install

Build the drawers using the dimensions in the schematics.

There are 3 drawers with 1x6 boards and 1x8 drawer face and 1 drawer with 1x3 boards and 1x4 drawer face.

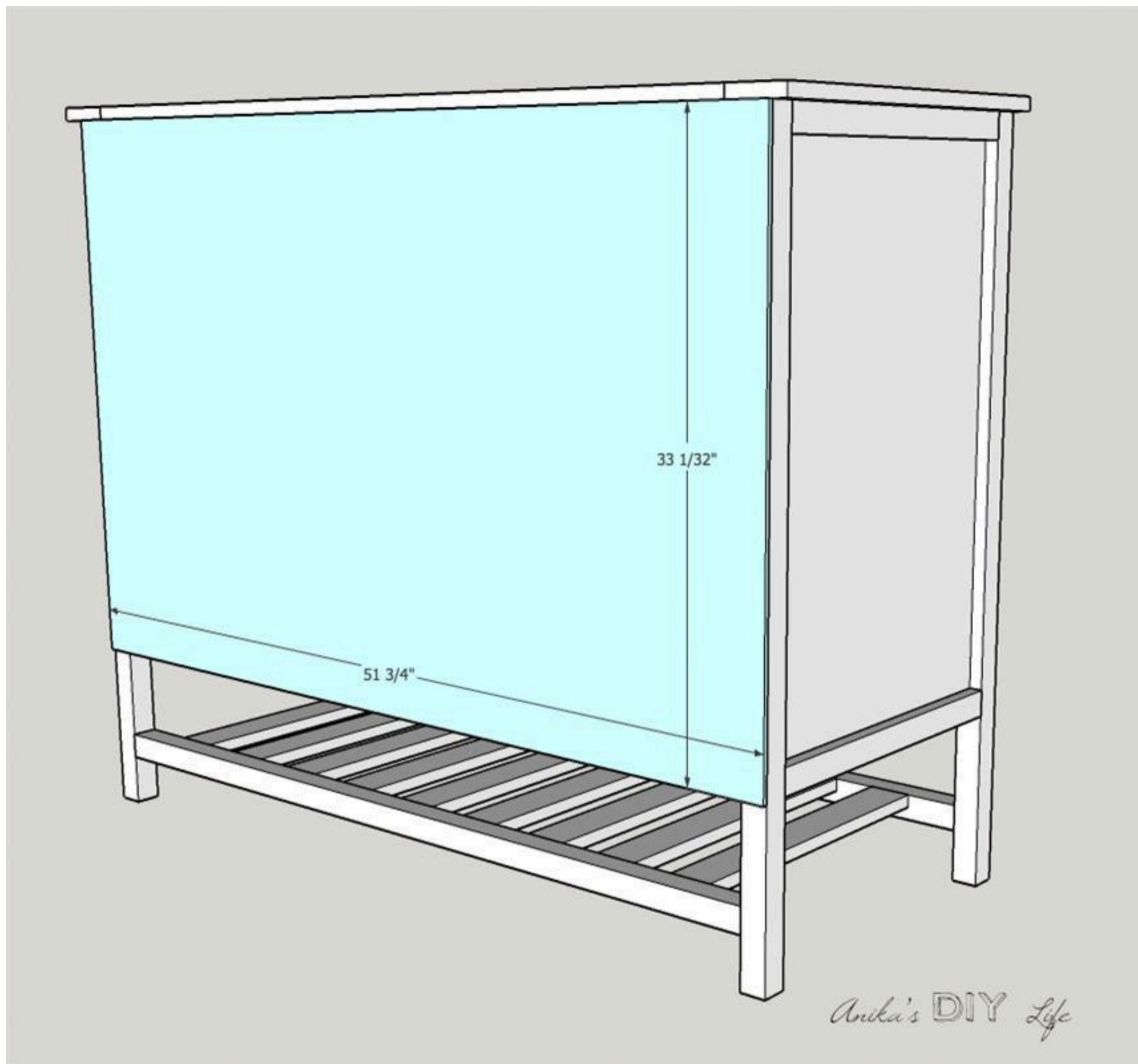
Install the drawers on one side of the cabinet using 16" drawer slides. The Kreg Drawer slide jig makes it really easy and quick to install them.



10

**Attach back**

Attach the 1/4" plywood back to the cabinet using wood glue and finish nails.



**11****Build door and install**

Build the door by attaching 1x6 boards together using pocket hole screws.

You can leave the door as is if you like.

I decided to attach a few scrap 1x6 and 1x3 boards to my door to give it a 3-D look.

Install the barn door hardware per instructions. I made my own barn door hardware. Check out all the details in the blog post. Link is under the "Extras" tab

