

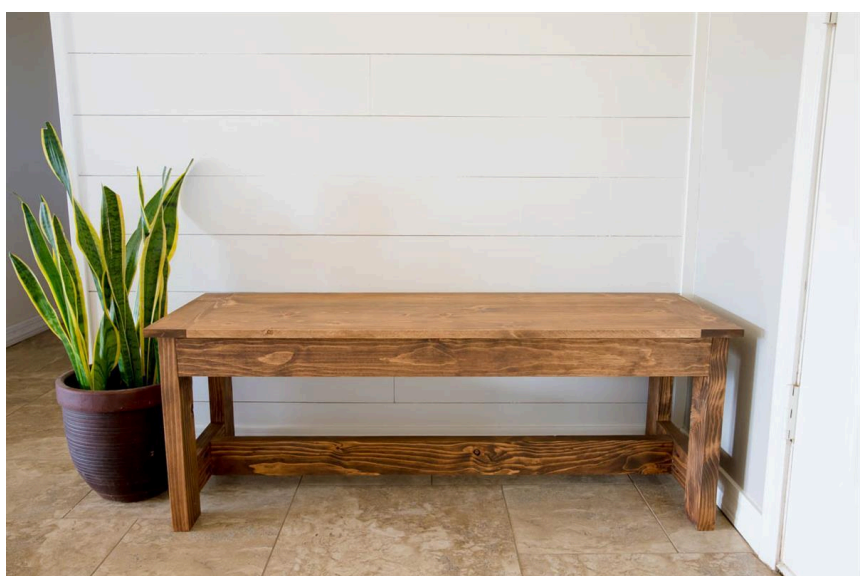
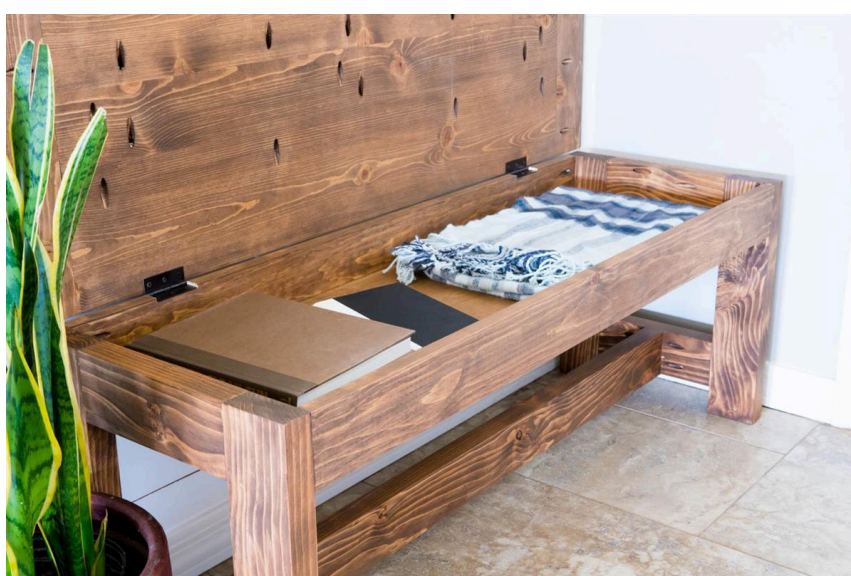
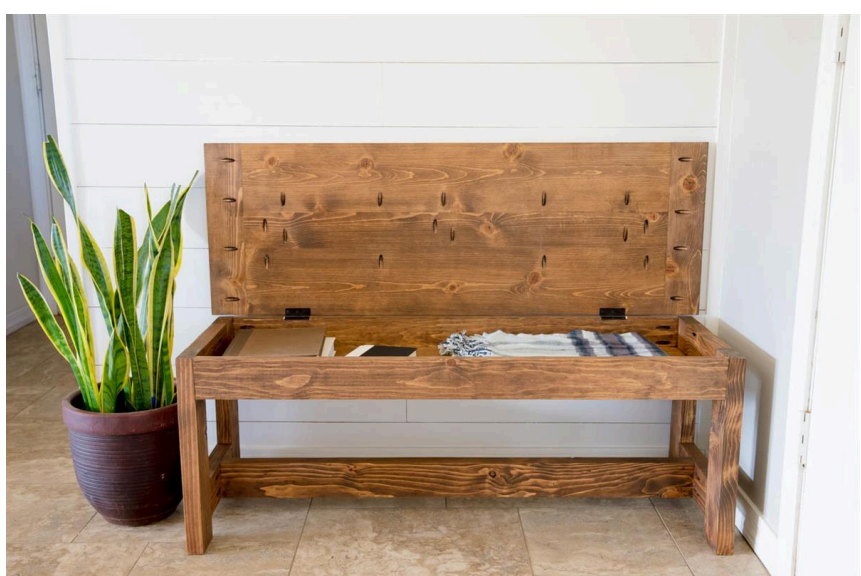
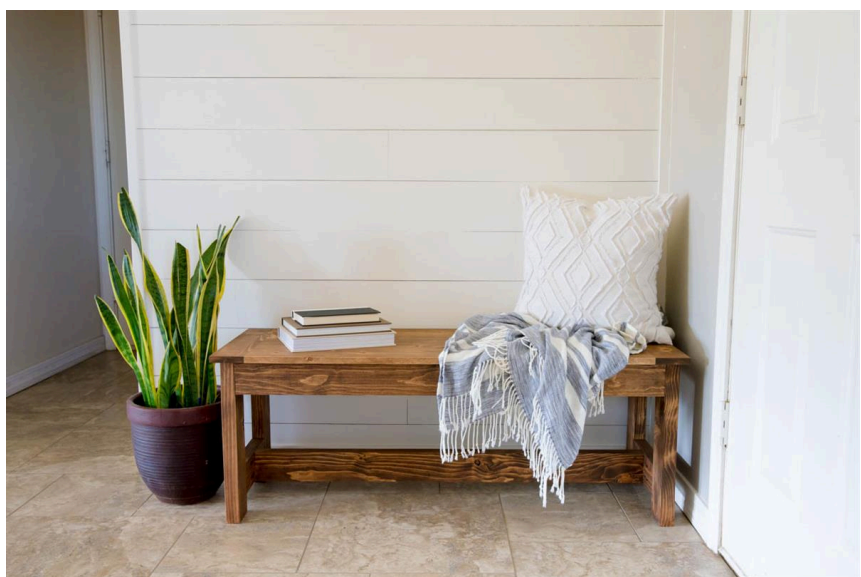
Farmhouse Storage Bench

By **Addicted 2 DIY**

Difficulty

Easy

This farmhouse storage bench is a great addition under a window or in your entryway. It can also be lengthened and used as a dining table bench! This project is built from a 2x4 base, which can be done with standard 2x4 lumber, or use the Adaptive Cutting System to make your own 2x4 boards.



Tools

Kreg Tools



[Kreg® Pocket-Hole Jig 720](#)

Other Tools

Miter Saw

Square

Table Saw

Tape Measure

Clamps

Drill (cordless)

Impact Driver

Sander

Air Compressor

Shop Vacuum

Materials

Wood Products

2 Board , 2x4 , 96"

2 Board , 1x4 , 96"

2 Board , 1x8 , 72"

1 Plywood , 1/2" Thick , Quarter Sheet

Hardware & Supplies

20 2 1/2" Pocket Screws

30 1 1/4" Pocket Screws

2 2 1/2" Middle Hinges (1 Package)

1 Wood Glue

1 220 Grit Sandpaper

1 Paint Or Stain

Cut List & Parts

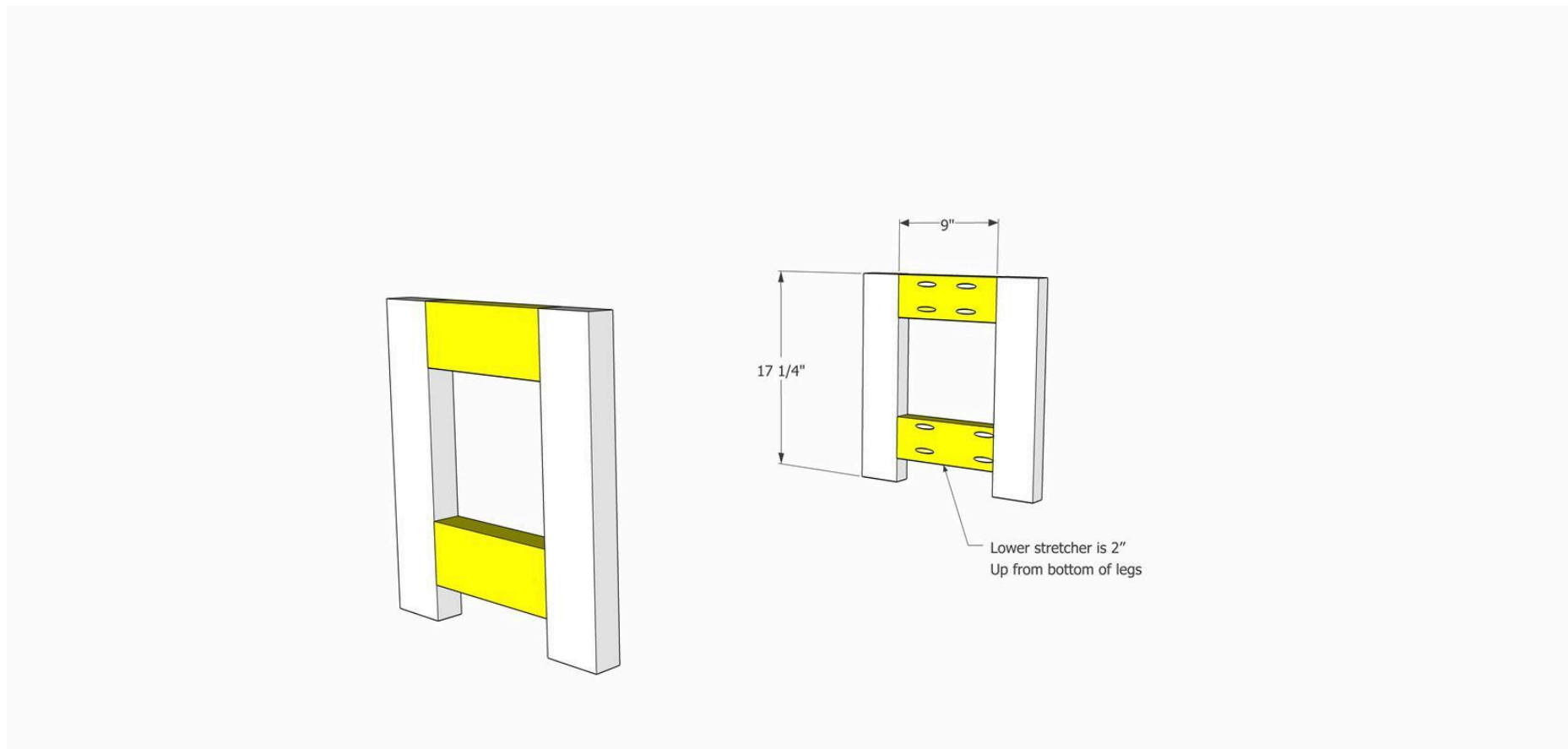
- 4 Legs , 1 1/2" X 3 1/2" X 17 1/4"
- 4 Stretchers , 1 1/2" X 3 1/2" X 9"
- 1 Long Stretcher , 1 1/2" X 3 1/2" X 43 1/2"
- 2 Top Aprons , 3/4" X 3 1/2" X 43 1/2"
- 1 Plywood Bottom , 1/2" X 14 1/2" X 43 1/2"
- 2 Breadboard Ends , 3/4" X 3 1/2" X 16 3/4"
- 2 1x8 Boards For Seat , 3/4" X 6 5/8" X 41"
- 1 1x4 Board For Seat , 3/4" X 3 1/2" X 41"

Directions

1

Assemble the legs

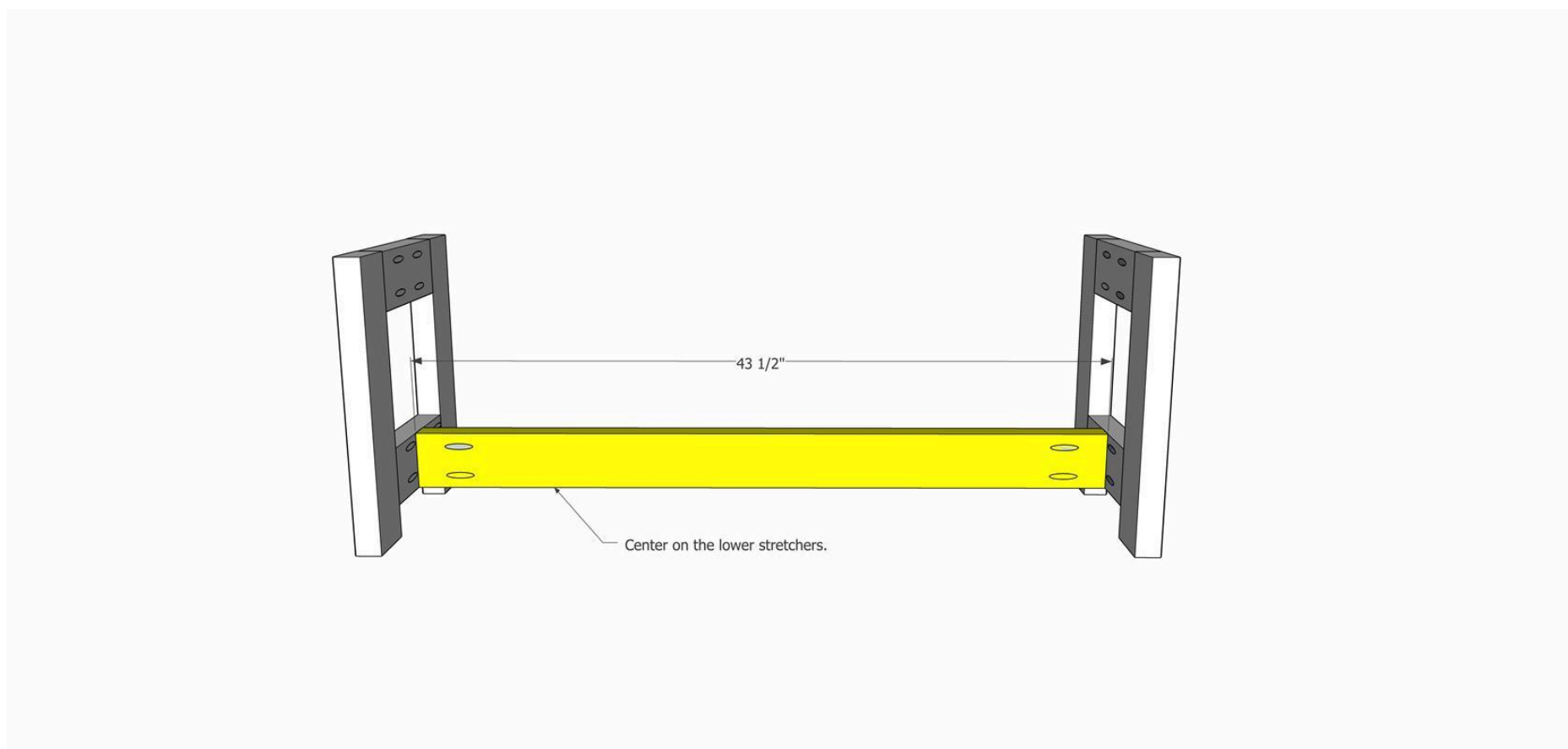
Drill 1 1/2" pocket holes into the four stretchers for each side of the bench. Attach with wood glue and 2 1/2" pocket screws.



2

Attach the lower stretcher

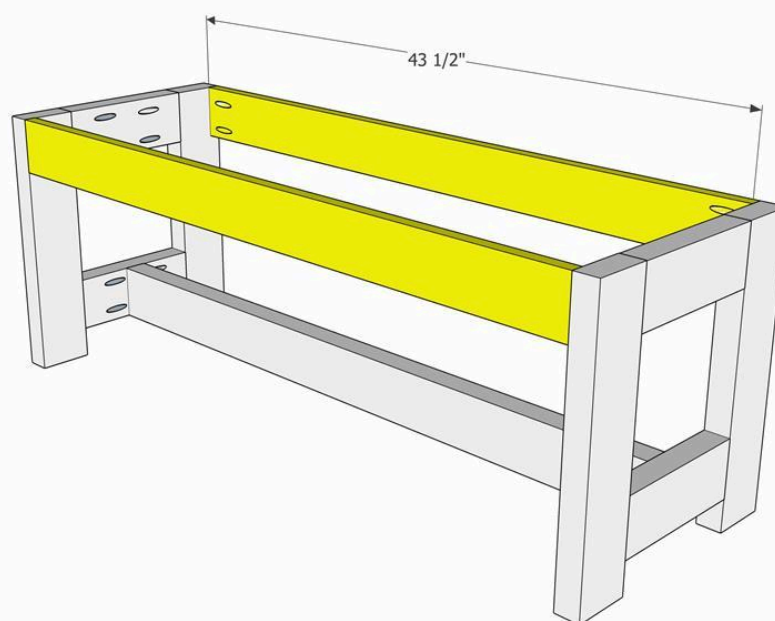
Drill 1 1/2" pocket holes into the lower 2x4 stretcher. Center it between the legs and attach with wood glue and 2 1/2" pocket screws.



3

Add the aprons

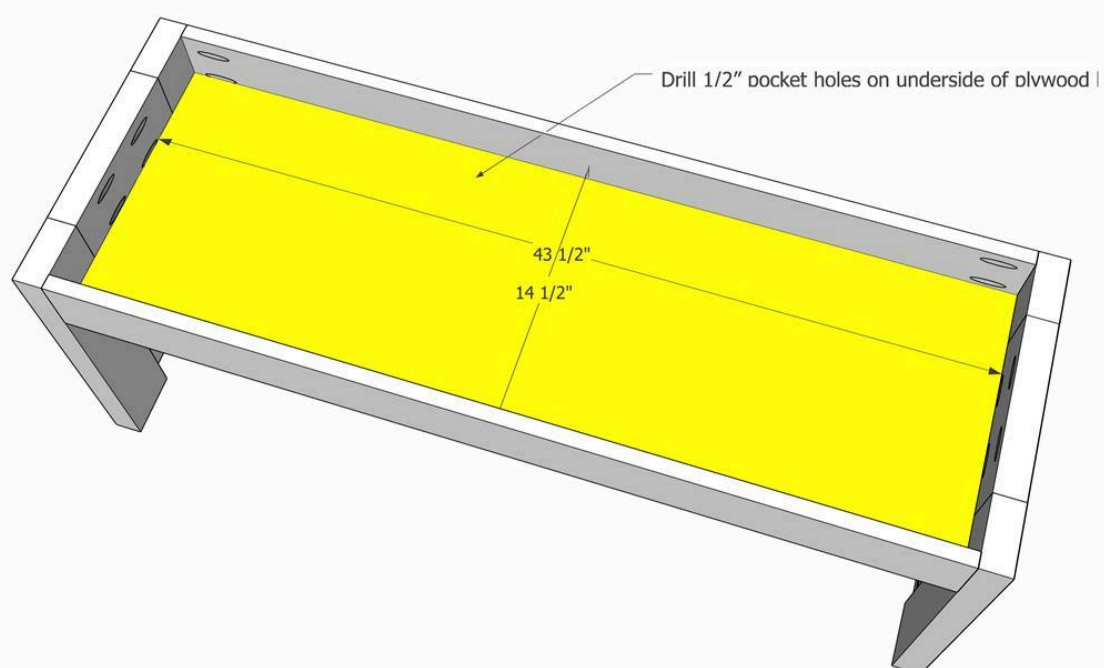
Attach the 1x4 aprons to the front and back edges of the legs, flush with the top. Drill 3/4" pocket holes into each end and attach with wood glue and 1 1/4" pocket screws.



4

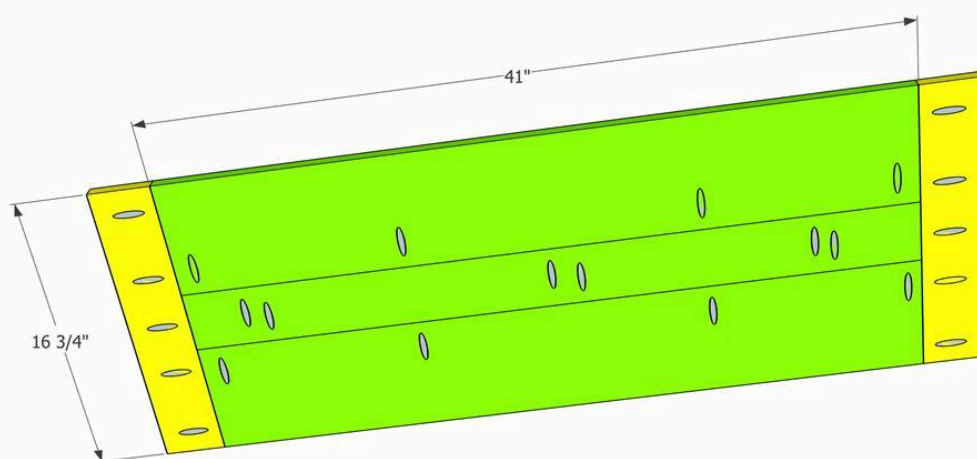
Attach the plywood bottom

Drill 1/2" pocket holes into the 1/2 plywood that will make up the storage compartment bottom. Attach flush with the bottom edge of the 1x4 and 2x4 frame pieces with 1" pocket screws.



5**Build the bench seat**

Use a table saw or the adaptive cutting system to rip two 1x8 boards down to 6 5/8" widths. Cut to size and drill 3/4" pocket holes into the three long boards as well as the breadboard ends. Attach together with wood glue and 1 1/4" pocket screws.

**6****Sand and finish**

Sand the entire project down to 220 grit with an orbital sander or by hand. Finish as desired with paint or stain.

7**Attach the bench seat**

Using 2 1/2" middle hinges, attach the bench seat to the base. Mark the location of the hinges and trace the outside edges with a pencil into the top of the base. Using a chisel and mallet, make a mortise into the wood deep enough for the hinges to fit into and the bench seat to sit flush with the top of the base (approx 1/8").

