

K-Cup Coffee Dispenser

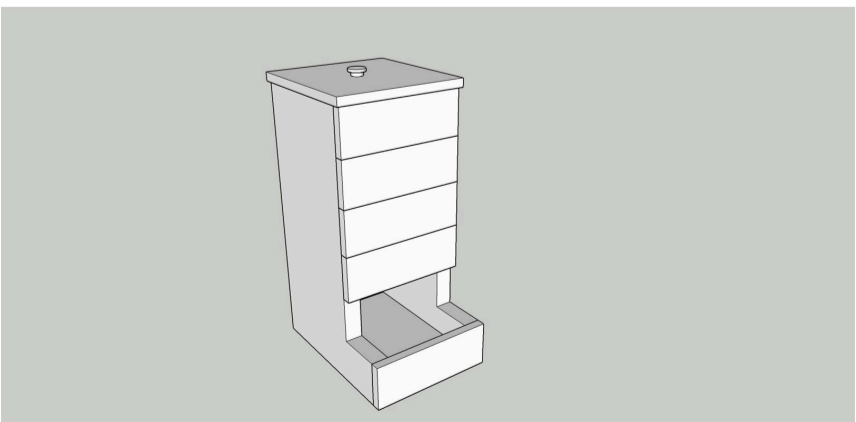
By Ifrost

Difficulty

Easy

An easy K-cup dispenser to hold K-cups or coffee pods.





Tools

Kreg Tools



[Kreg® Pocket-Hole Jig 720](#)

Other Tools

Jigsaw

Miter Saw

Table Saw

Tape Measure

Drill (cordless)

Nail Gun

Sander

Materials

Wood Products

1 Board , 1x8 , 36"

1 Board , 1x6 , 24"

1 Board , 3/8" , 48"

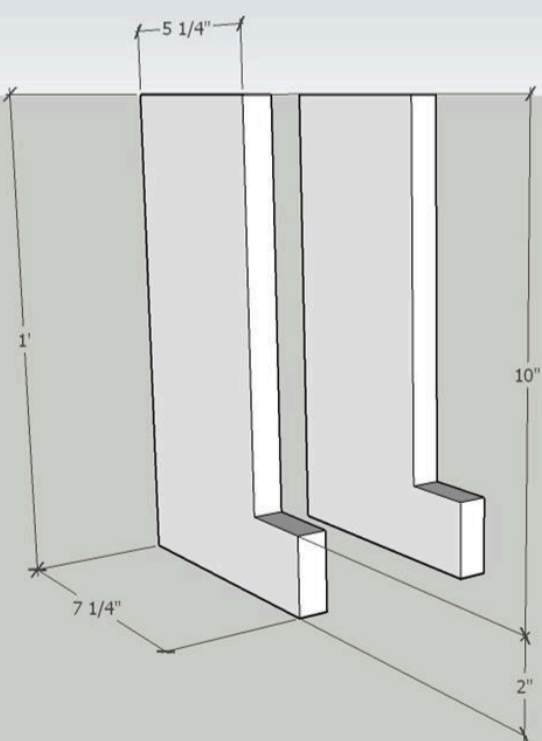
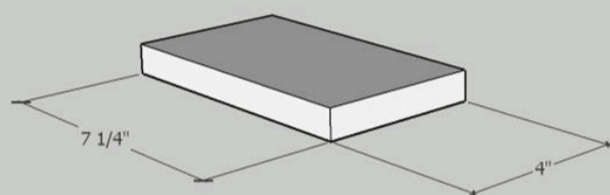
Hardware & Supplies

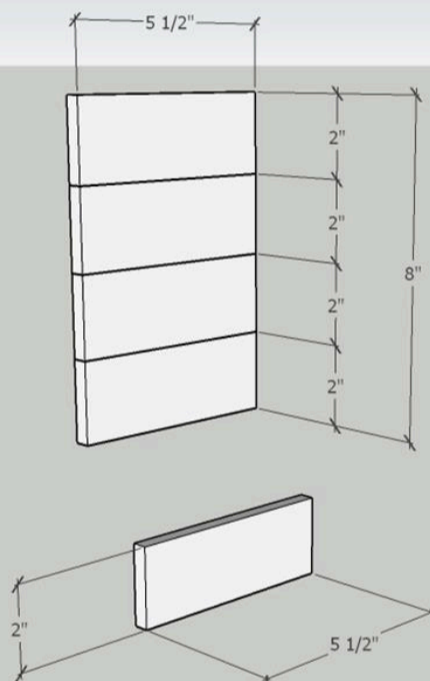
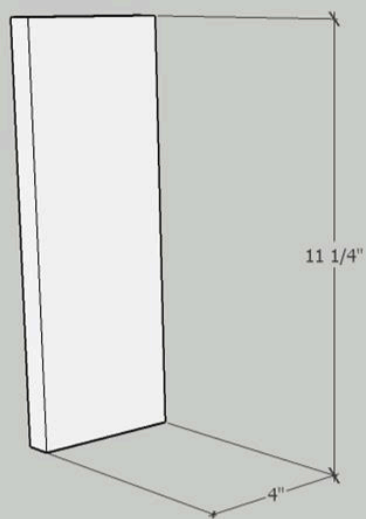
1 Top Pull

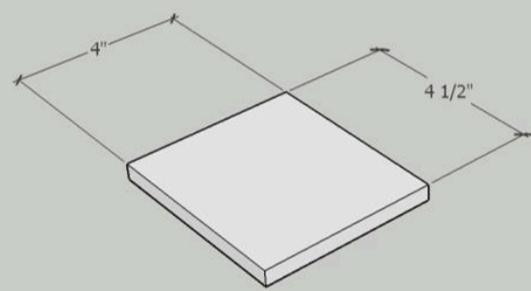
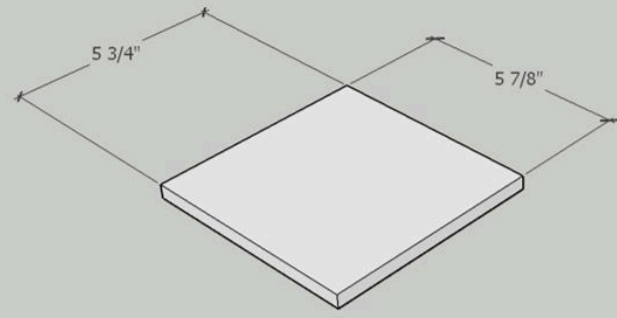
10 1 1/4" Kreg Pocket Hole Screws

Cut List & Parts

- 1 Base, $\frac{3}{4}$ " X 4" X $7\frac{1}{4}$ "
- 2 Sides, $\frac{3}{4}$ " X $7\frac{1}{4}$ " X 12"
- 1 Back, $\frac{3}{4}$ " X 4" X $11\frac{1}{4}$ "
- 4 Front Pieces, $\frac{3}{16}$ " X $5\frac{1}{2}$ " X 2"
- 1 Top, $\frac{3}{8}$ " X $5\frac{1}{2}$ " X $5\frac{5}{8}$ "
- 1 Sub-top, $\frac{3}{8}$ " X 4" X $4\frac{1}{2}$ "
- 1 Bottom Front Piece, $\frac{3}{8}$ " X $5\frac{1}{2}$ " X 2"





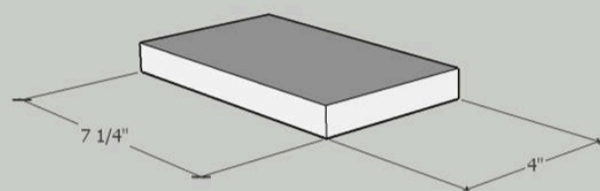


Directions

1

Cut the base

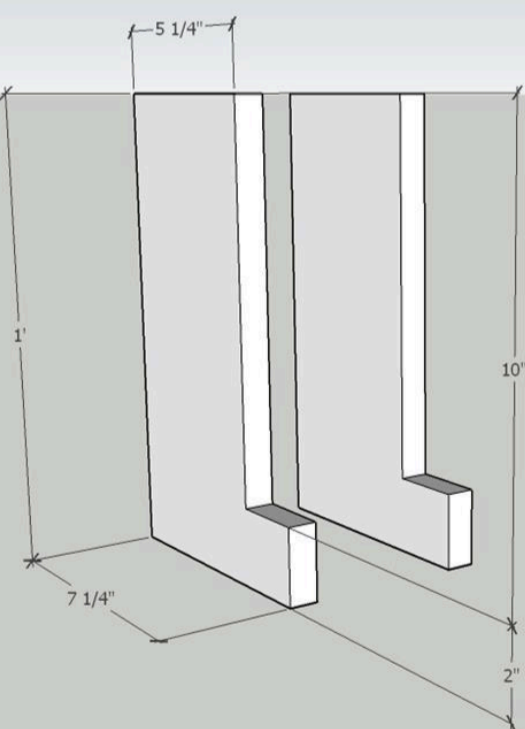
Cut the base per the dimensions indicated.



2

Cut the sides

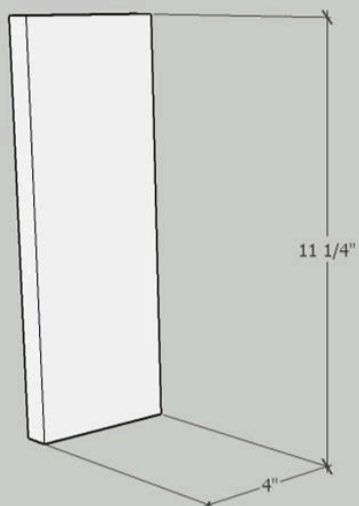
Cut two side panels per the dimensions indicated



3

Cut the back

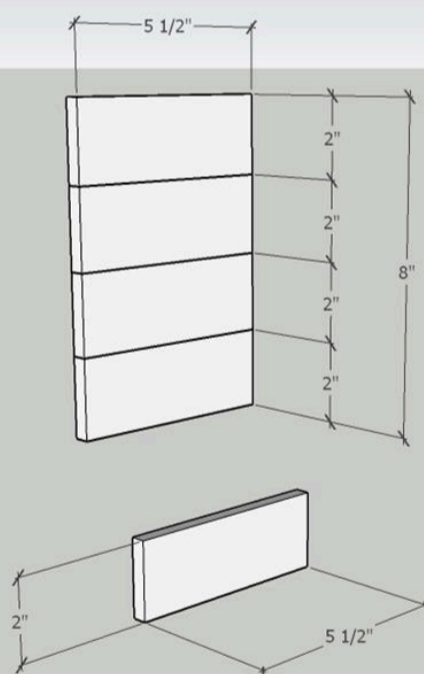
Cut the back panel per the dimensions indicated



4

Cut the front pieces

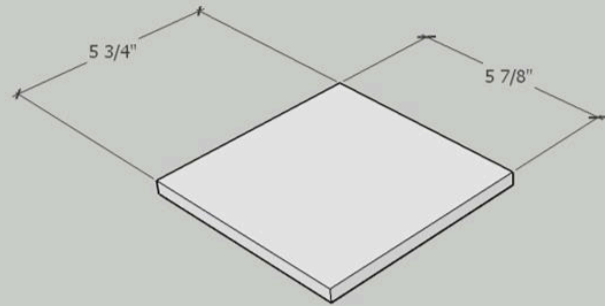
Cut 5 front pieces per dimensions indicated



5

Cut the top

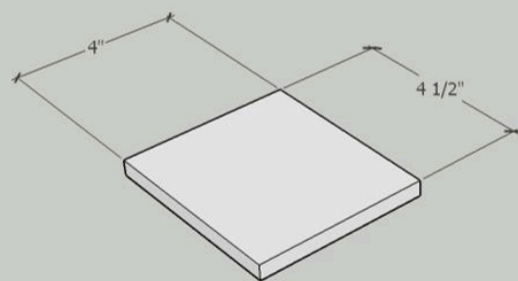
Cut the top per dimensions indicated



6

Cut the sub-top

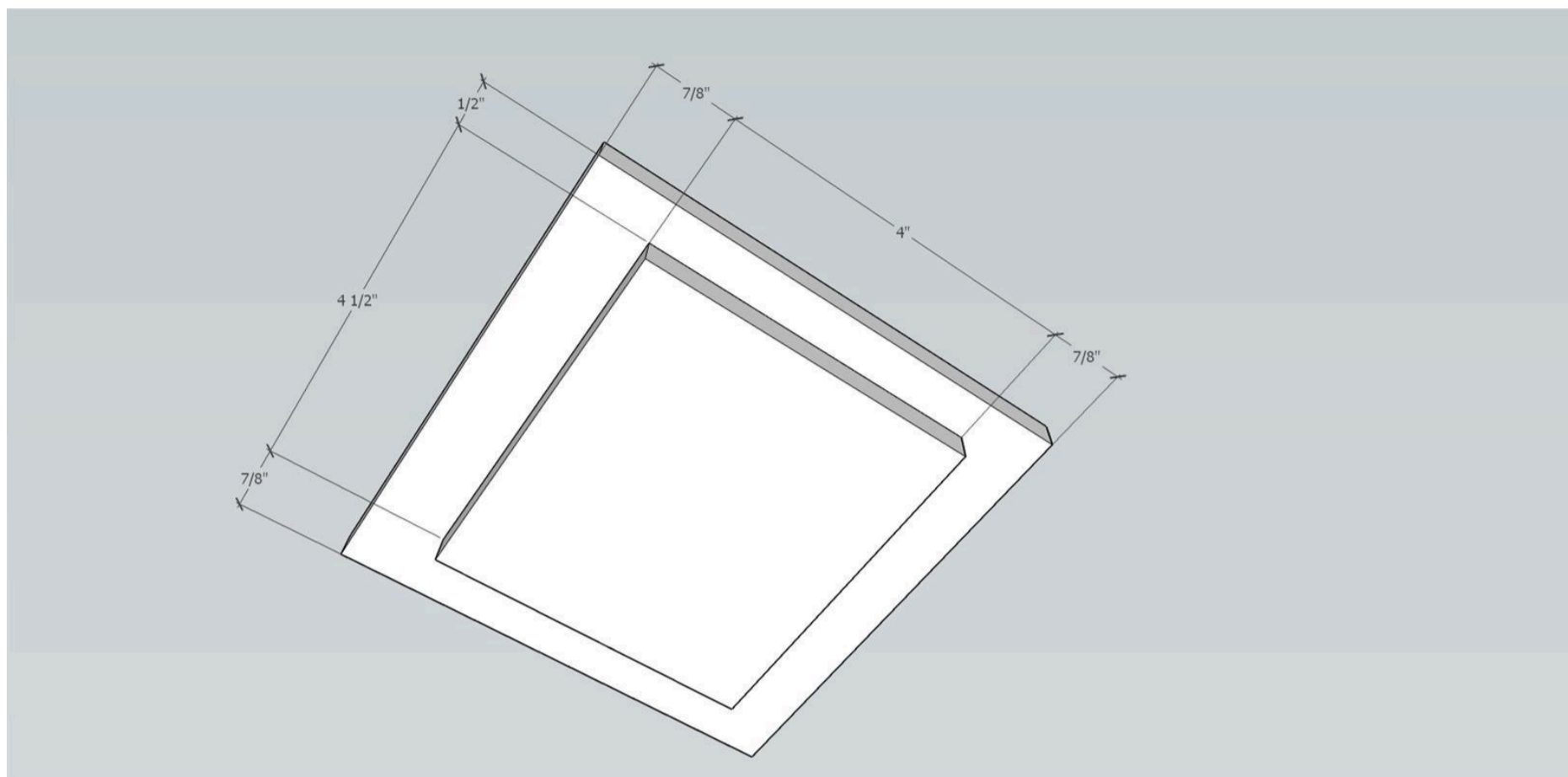
Cut the sub-top per dimensions indicated



7

Join the two top pieces

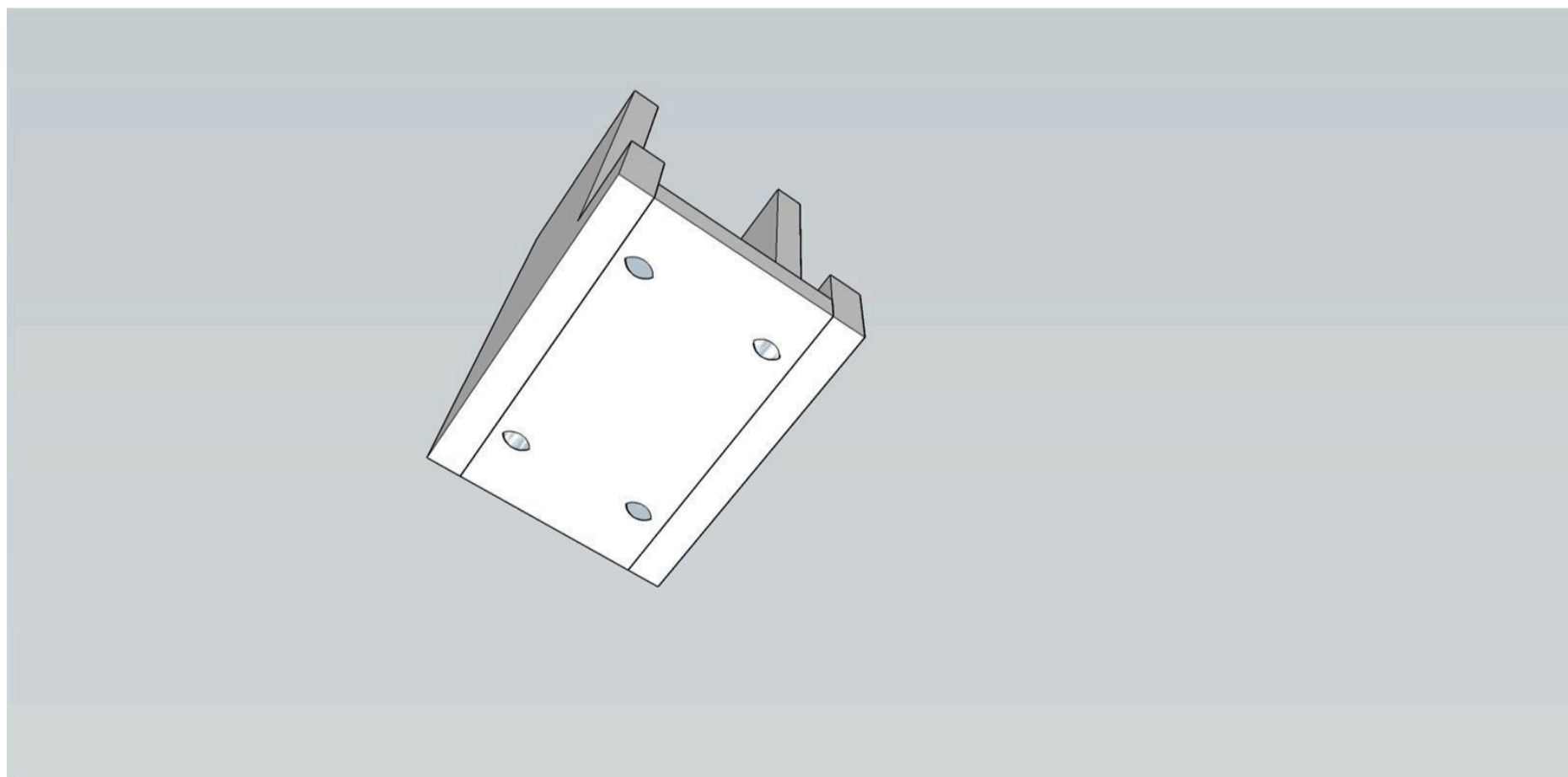
Join the two top pieces by gluing and clamping



8

Join the sides to the base

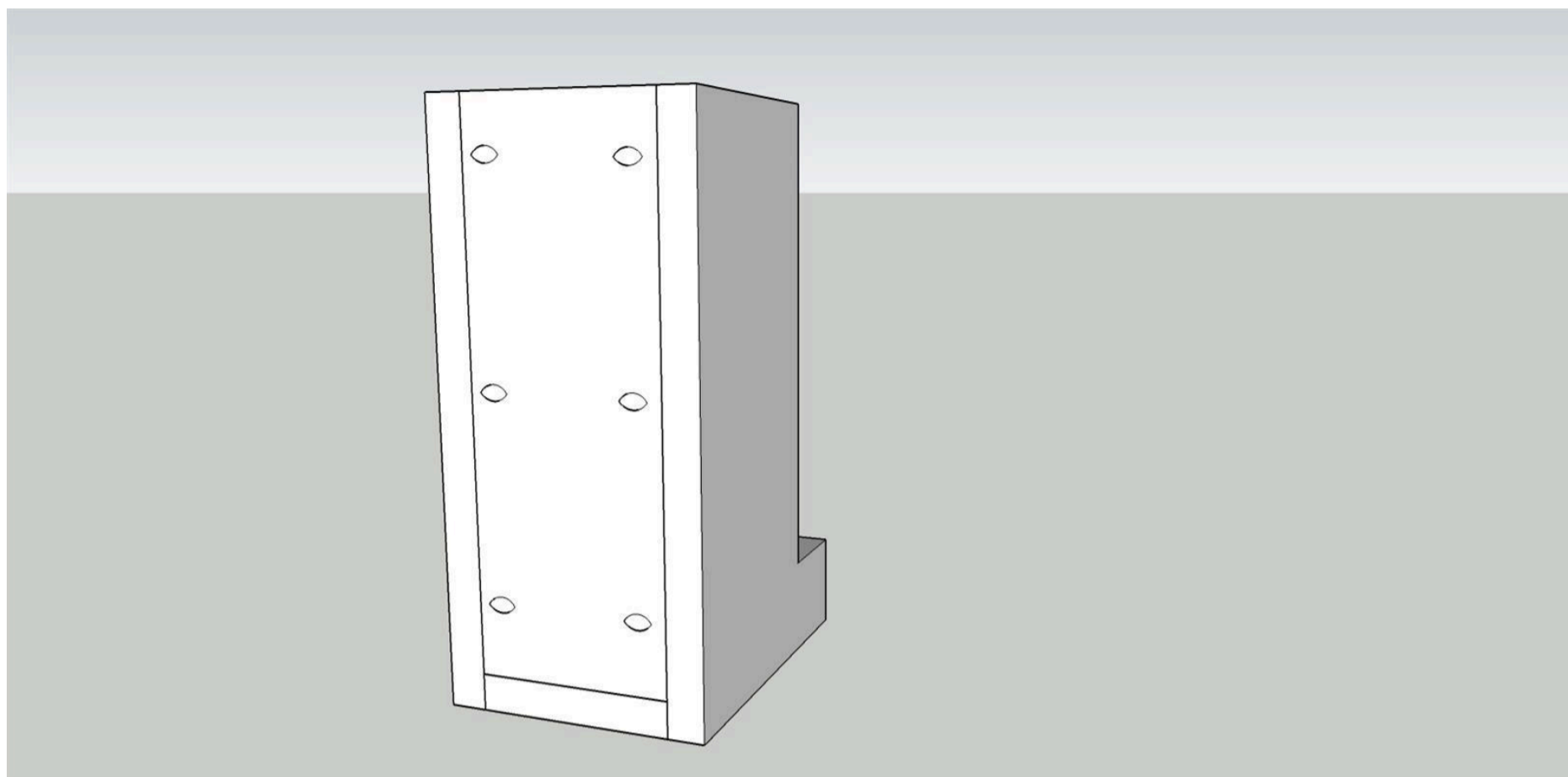
Join the sides to the base by drilling pocket holes as shown in the base and attaching with 1 1/4" pocket hole screws.



9

Join the back to the sides

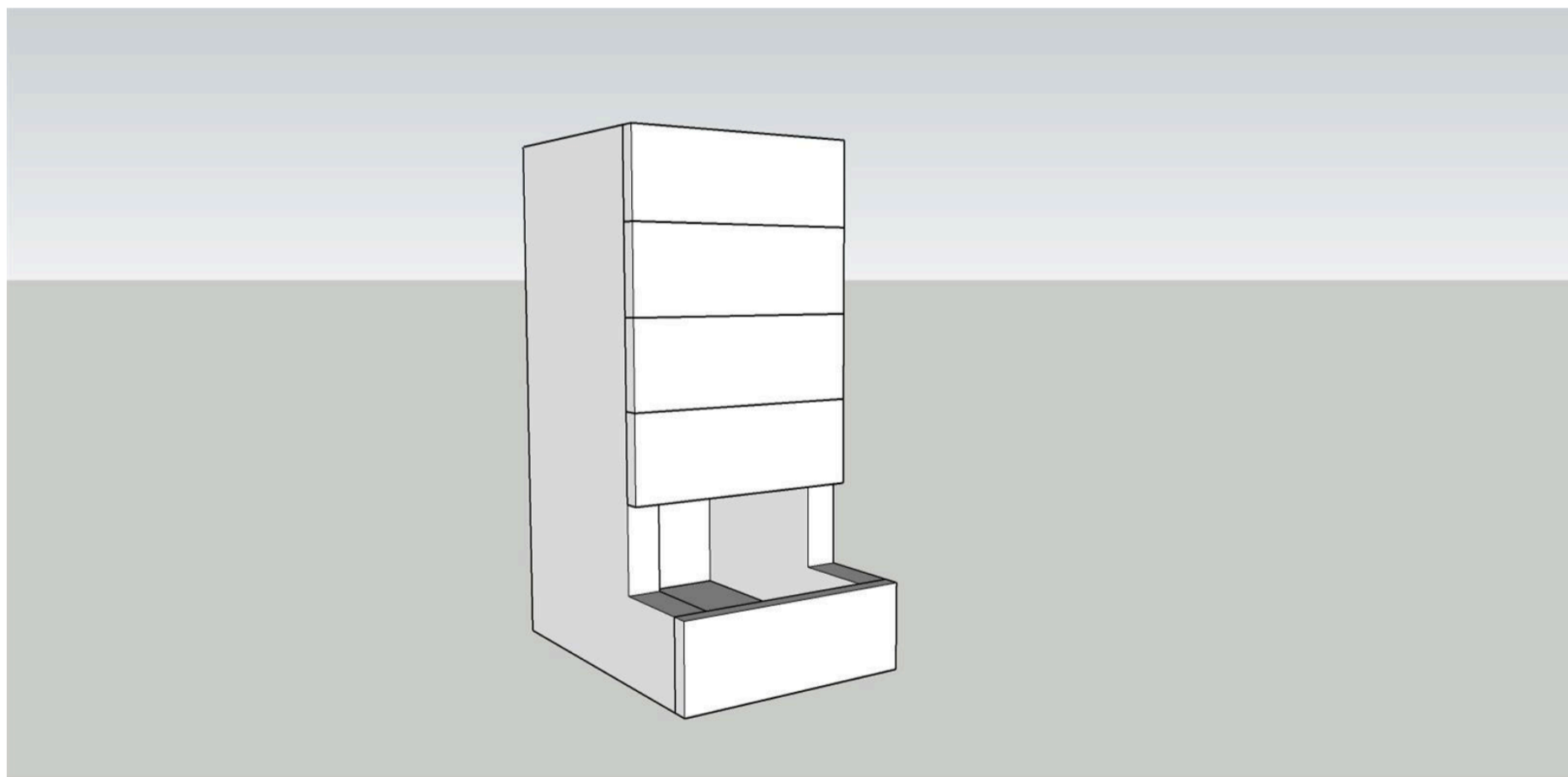
Join the back to the sides by drilling pocket holes as shown and attaching with 1 1/4" pocket hole screws.



10

Install the front pieces

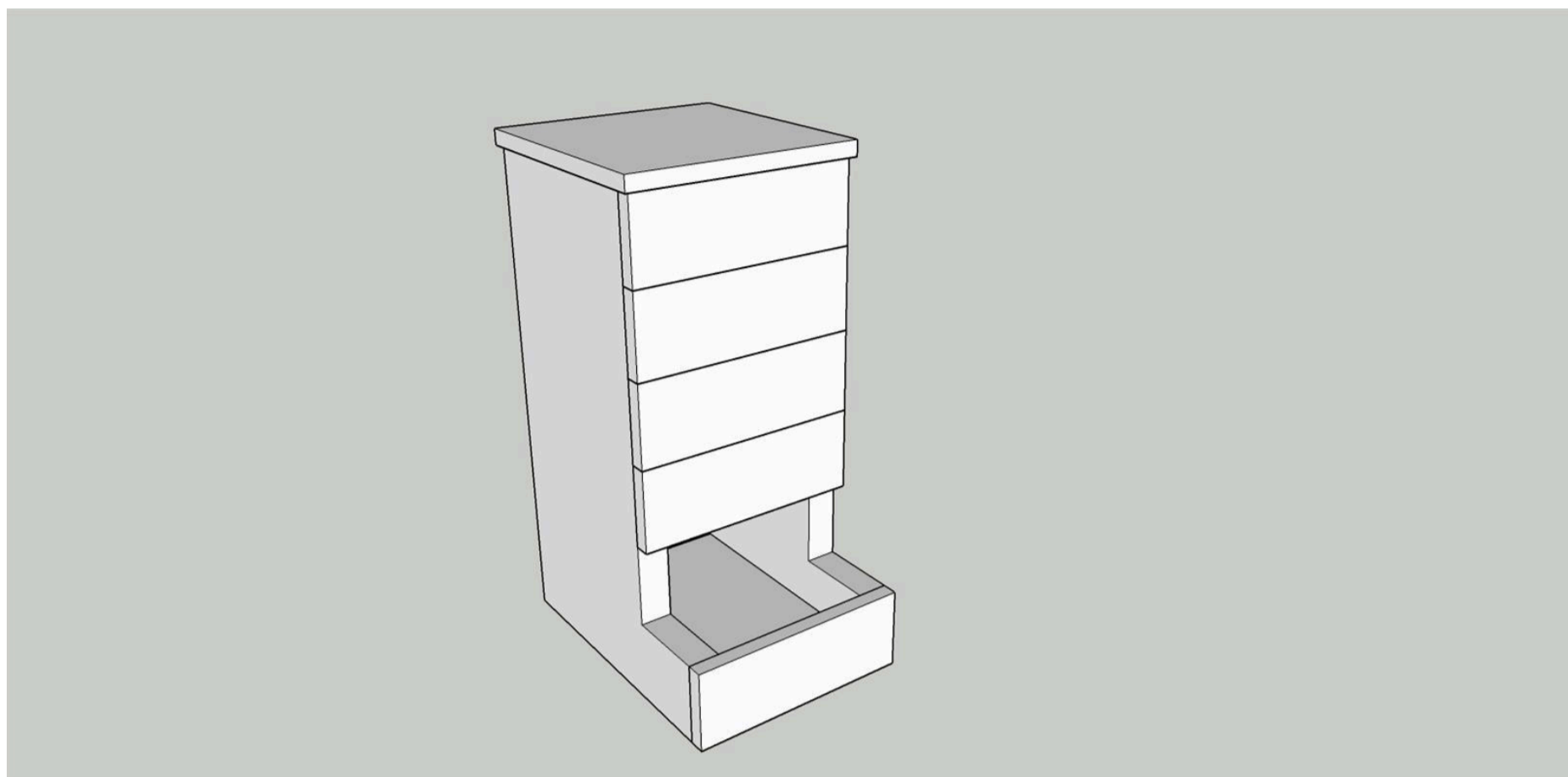
Install the front pieces as shown by gluing and clamping



11

Install the top

Verify that the top fits. Sand as required.



12

Add top pull

Add a pull of your choice to the top and finish the dispenser.

